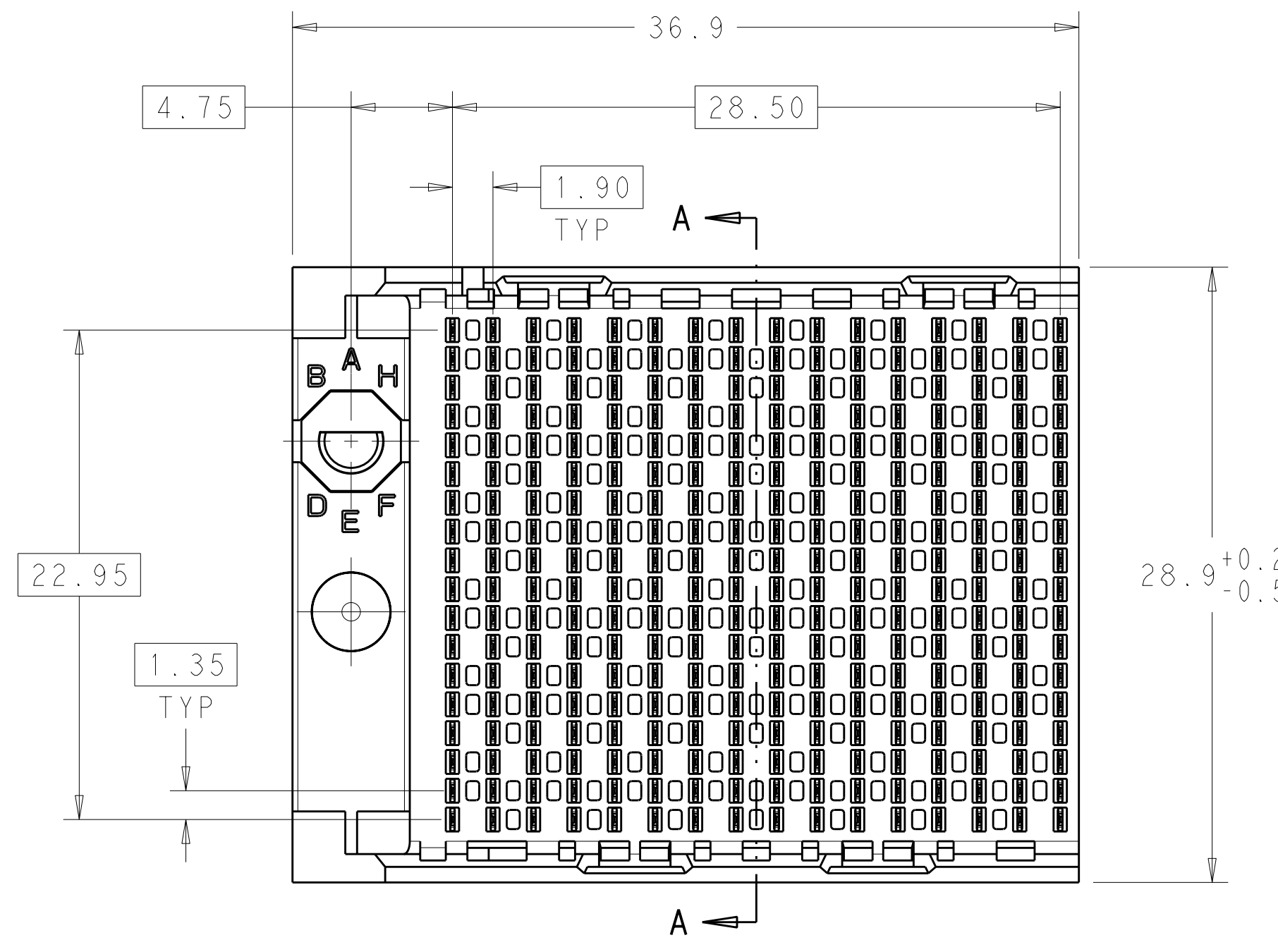
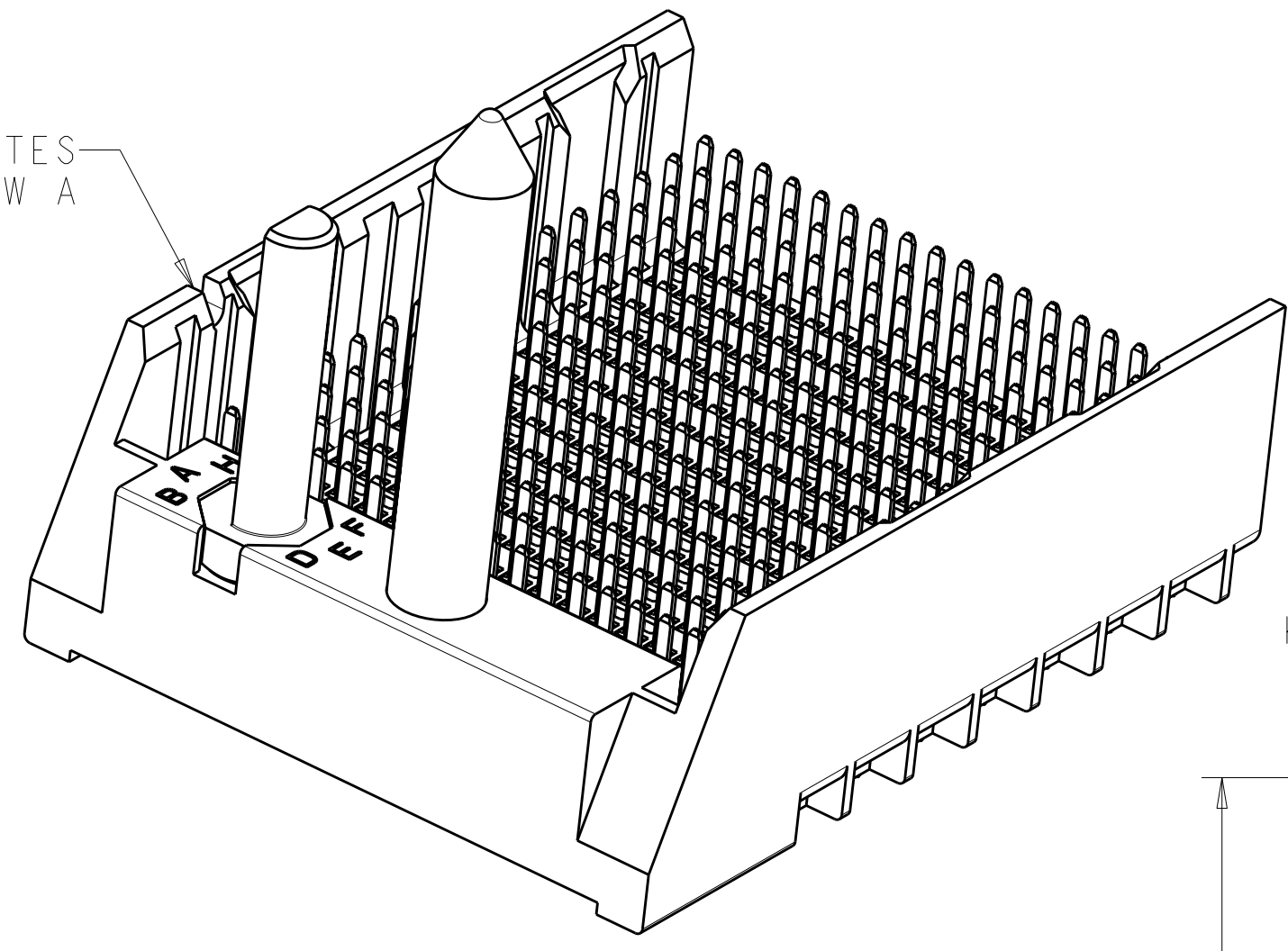


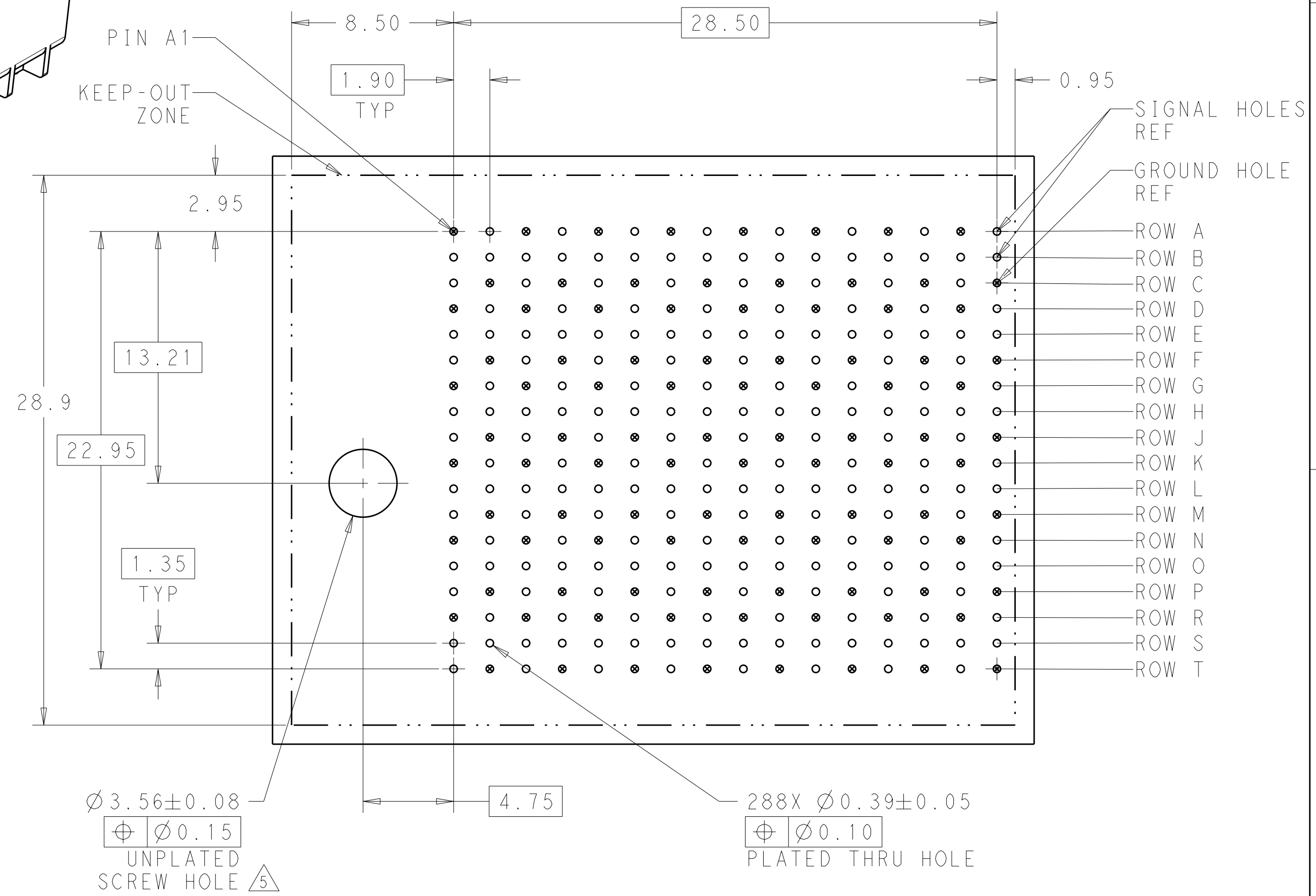
LOC	DIST	REV	DATE	BY	APPD
AD	00	B	04JAN2012	KH	DY
REVISIONS			DESCRIPTION	DATE	DWN
			REVISED PER ECO-11-025276	04JAN2012	KH



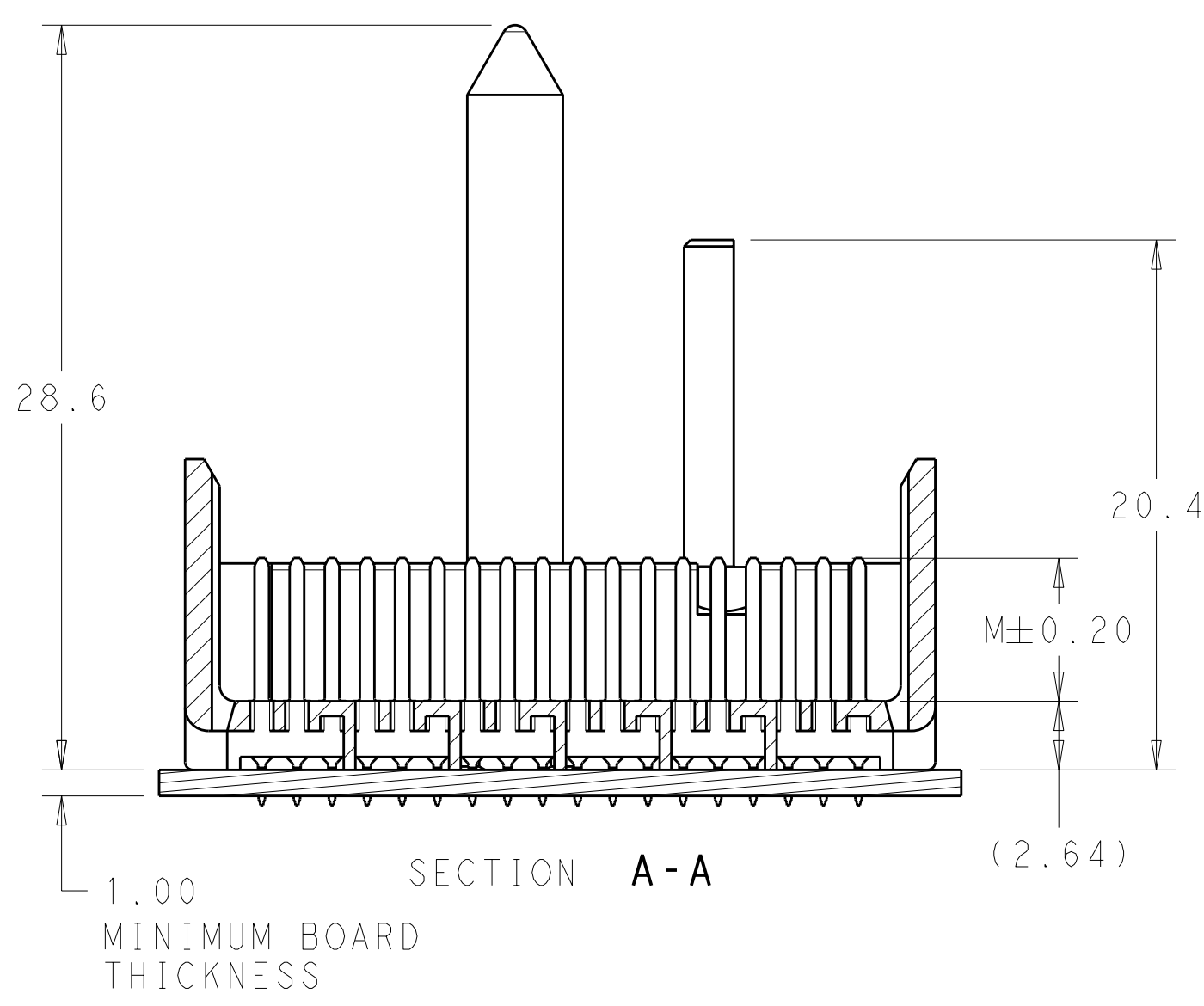
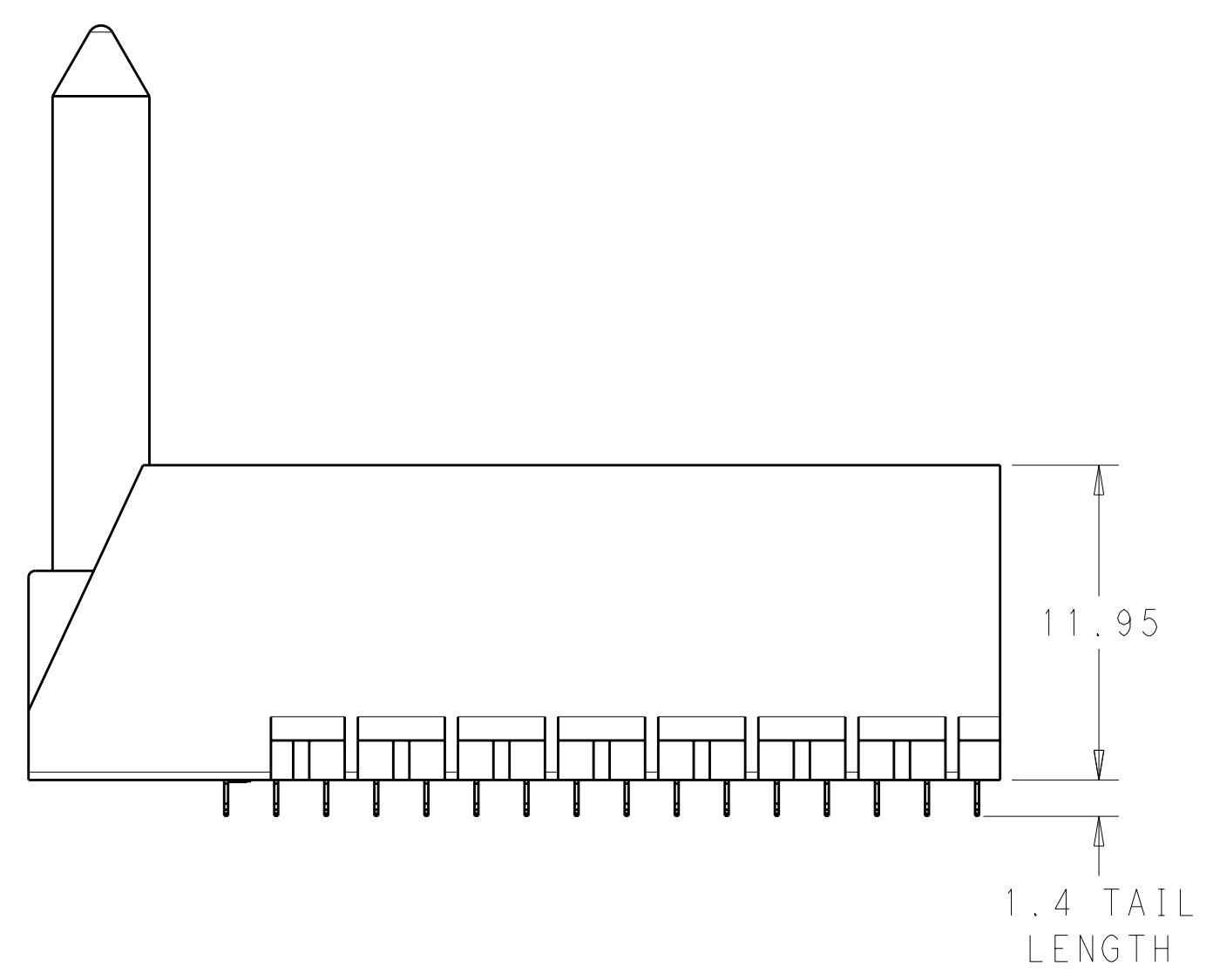
NOTCH DESIGNATES ROW A



- 1 MATERIAL:
HOUSING: LCP, GLASS FILLED, UL94V-0.
TERMINALS: HIGH PERFORMANCE COPPER ALLOY.
- 2 FINISH:
30µ" MIN GOLD IN CONTACT AREA. SELECTIVE TIN ON PCB TAILS, NICKEL OVERALL.
- 3 FINISH:
30µ" MIN GOLD IN CONTACT AREA. SELECTIVE TIN-LEAD ON PCB TAILS, NICKEL OVERALL.
- 4. SCREWS PACKAGED IN END OF PACKAGING TUBE.
- 5 FOR GROUNDED GUIDE PIN USE Ø3.56±0.08 PTH, Ø3.66 DRILL, AND Ø6.5 PAD.
- 6. KEYING PIN SHOWN IN POSITION A. SEE KEYING CHART ON SHEET 2 FOR OTHER POSITIONS.



LEFT GUIDED BACKPLANE HOLE PATTERN (CONNECTOR SIDE)

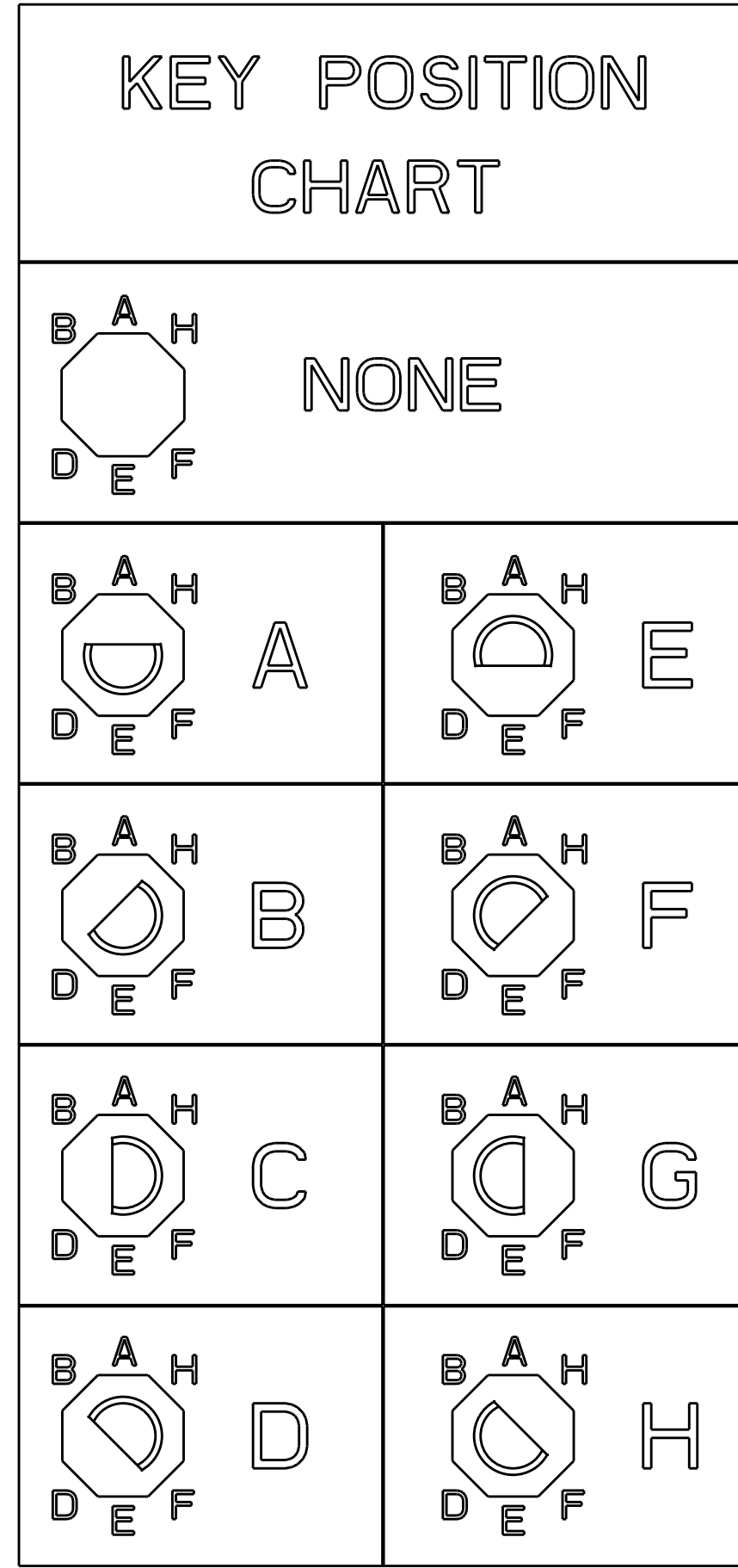


THIS DRAWING IS A CONTROLLED DOCUMENT.		DWN J. K. SHOBER 25JAN2011	TE Connectivity
DIMENSIONS: mm		CHK J. EABY 25JAN2011	
TOLERANCES UNLESS OTHERWISE SPECIFIED:		APVD J. EABY 25JAN2011	NAME
Ø	9 PLC ±	PRODUCT SPEC	IMPACT, 6 PAIR, 16 COLUMN, HEADER
∅	1 PLC ±0.25	APPLICATION SPEC	LEFT GUIDED, OPEN END WALL
∅	3 PLC ±0.13	SIZE CAGE CODE DRAWING NO	SIGNAL MODULE, 0.39 PTH
∅	5 PLC ±	RESTRICTED TO	
∅	4 PLC ±	WEIGHT	A1100779C=2007889
∅	ANGLES ±	CUSTOMER DRAWING	SCALE 4:1 SHEET 1 OF 2 REV B
∅	FINISH SEE TABLE		

REVISIONS			
LOC	DIST	DESCRIPTION	DATE
AD	00	SEE SHEET 1	

3	H	5.5	8-2007889-6
3	H	4.9	8-2007889-5
3	H	4.5	8-2007889-4
2	H	5.5	8-2007889-3
2	H	4.9	8-2007889-2
2	H	4.5	8-2007889-1
3	G	5.5	7-2007889-6
3	G	4.9	7-2007889-5
3	G	4.5	7-2007889-4
2	G	5.5	7-2007889-3
2	G	4.9	7-2007889-2
2	G	4.5	7-2007889-1
3	F	5.5	6-2007889-6
3	F	4.9	6-2007889-5
3	F	4.5	6-2007889-4
2	F	5.5	6-2007889-3
2	F	4.9	6-2007889-2
2	F	4.5	6-2007889-1
3	E	5.5	5-2007889-6
3	E	4.9	5-2007889-5
3	E	4.5	5-2007889-4
2	E	5.5	5-2007889-3
2	E	4.9	5-2007889-2
2	E	4.5	5-2007889-1
3	D	5.5	4-2007889-6
3	D	4.9	4-2007889-5
3	D	4.5	4-2007889-4
2	D	5.5	4-2007889-3
2	D	4.9	4-2007889-2
2	D	4.5	4-2007889-1
3	C	5.5	3-2007889-6
3	C	4.9	3-2007889-5
3	C	4.5	3-2007889-4
2	C	5.5	3-2007889-3
2	C	4.9	3-2007889-2
2	C	4.5	3-2007889-1
3	B	5.5	2-2007889-6
3	B	4.9	2-2007889-5
3	B	4.5	2-2007889-4
2	B	5.5	2-2007889-3
2	B	4.9	2-2007889-2
2	B	4.5	2-2007889-1
3	A	5.5	1-2007889-6
3	A	4.9	1-2007889-5
3	A	4.5	1-2007889-4
2	A	5.5	1-2007889-3
2	A	4.9	1-2007889-2
2	A	4.5	1-2007889-1
3	-	5.5	2007889-6
3	-	4.9	2007889-5
3	-	4.5	2007889-4
2	-	5.5	2007889-3
2	-	4.9	2007889-2
2	-	4.5	2007889-1
FINISH	KEY POSITION	DIM M	PART NUMBER

REFER TO WWW.TE.COM FOR PRODUCT AVAILABILITY



THIS DRAWING IS A CONTROLLED DOCUMENT.		OWN J. K. SHOBER 25JAN2011	STE TE Connectivity
DIMENSIONS: mm		CHK J. EARY 25JAN2011	
TOLERANCES UNLESS OTHERWISE SPECIFIED:		APVD J. EARY 25JAN2011	NAME IMPACT, 6 PAIR, 16 COLUMN, HEADER LEFT GUIDED, OPEN END WALL SIGNAL MODULE, 0.39 PTH
9 PLC ± .25		PRODUCT SPEC	
3 PLC ± 0.13		APPLICATION SPEC	SIZE CAGE CODE DRAWING NO RESTRICTED TO
5 PLC ±		WEIGHT	A100779C=2007889
4 PLC ±		CUSTOMER DRAWING	SCALE 5:1 SHEET 2 OF 2 REV B
ANGLES ±			
FINISH SEE TABLE			