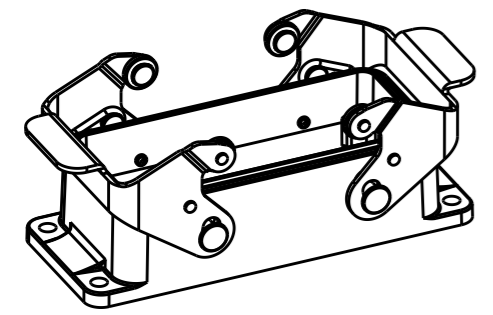
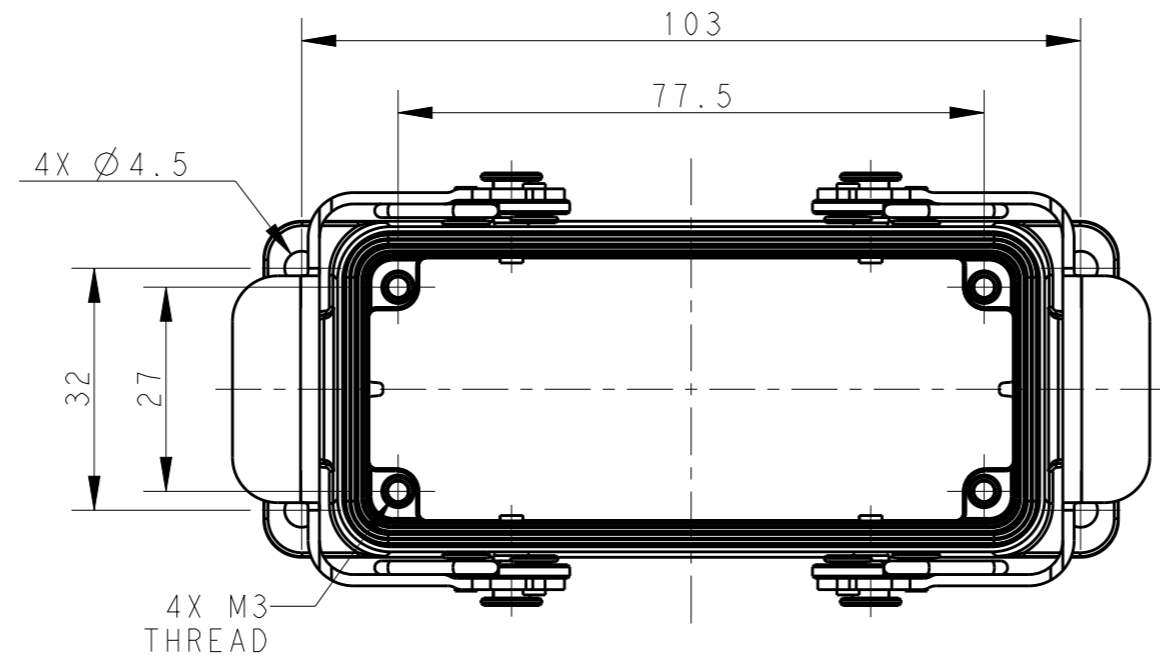


THIS DRAWING IS UNPUBLISHED. RELEASED FOR PUBLICATION 20
 © COPYRIGHT 20 BY - ALL RIGHTS RESERVED.

REVISIONS					
P	LTR	DESCRIPTION	DATE	DWN	APVD
	A	INITIAL RELEASE	16AUG2016	DW	CW

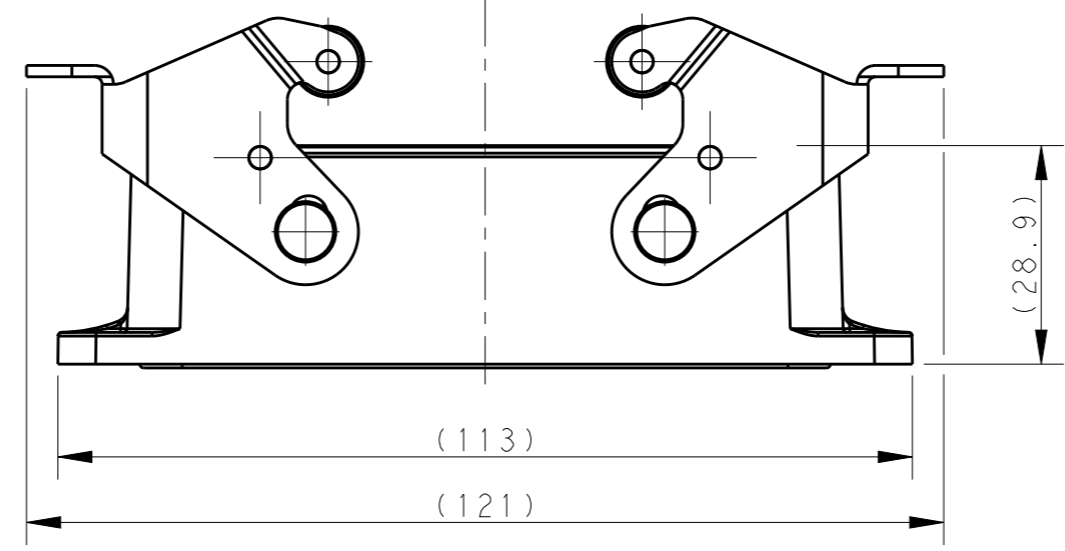
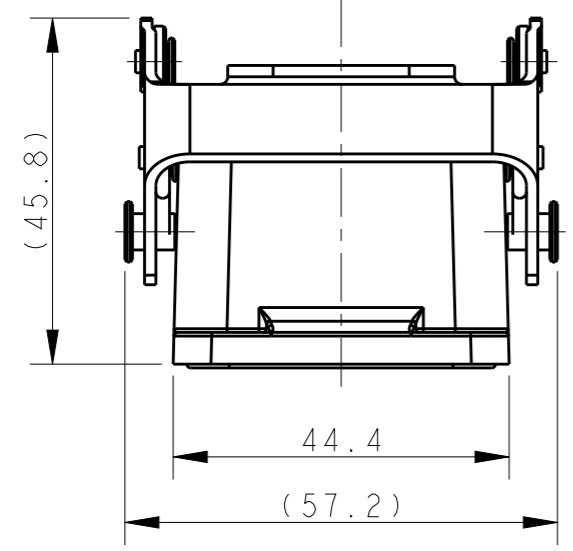


SCALE 1:2

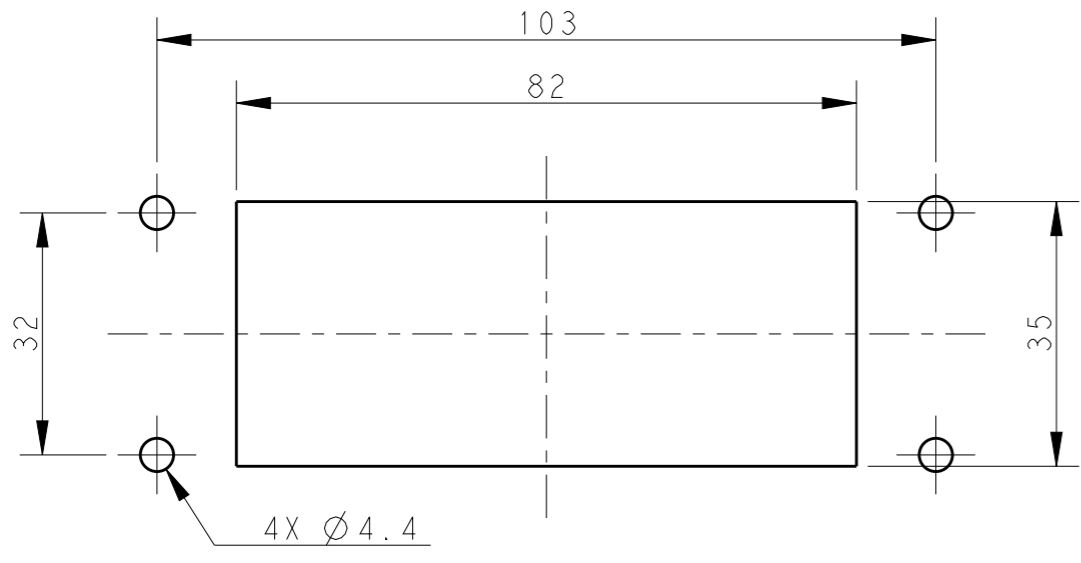


NOTES:
 1. TECHNICAL CHARACTERISTICS:
 HOUSING MATERIAL: DIE CAST ALUMINIUM ALLOY
 SURFACE: CONDUCTIVE PAINTING
 SEAL MATERIAL: CONDUCTIVE NBR
 DEGREE OF PROTECTION: IP65 (MATED)


注释:
 1. 技术参数:
 下壳材料: 铝合金
 表面处理: 喷导电漆
 密封材料: 导电NBR
 防护等级: IP65(配合)



PANEL CUT OUT



T1415163000-000	HI6B-AGS-EMC	HI6B EMC BULKHEAD HOUSING, STAINLESS STEEL LOCKING HI6B 带屏蔽下壳, 开孔安装, 不锈钢双扣
PART NUMBER 料号	PART DESCRIPTION 描述	

THIS DRAWING IS A CONTROLLED DOCUMENT.		DWN 16AUG2016 DAVID WANG	 TE Connectivity NAME H16B-AGS-EMC
DIMENSIONS: mm		CHK 16AUG2016 CHRIS WANG	
TOLERANCES UNLESS OTHERWISE SPECIFIED:		APVD 16AUG2016 XIANG XU	
0 PLC ±- 1 PLC ±- 2 PLC ±- 3 PLC ±- 4 PLC ±- ANGLES ±-		PRODUCT SPEC 108-137016	
MATERIAL	FINISH	APPLICATION SPEC 114-137016	SIZE CAGE CODE DRAWING NO RESTRICTED TO
-	-	WEIGHT -	A300779 C-T1415163000000 -
Customer Drawing			SCALE 1:1 SHEET 1 OF 1 REV A