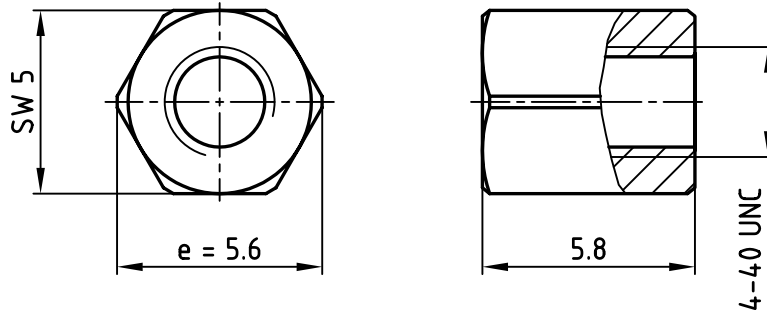



used for: D-SUB



APPROVAL # FREIGABE # DEBLOCAGE # AUTOR/ZACION # APPROVAL	
CUSTOMER APPROVAL DATE:	
NAME:	TITLE:
COMPANY NAME:	
APPROVAL # FREIGABE # DEBLOCAGE # AUTOR/ZACION # APPROVAL	



THIS DRAWING MAY NOT BE COPIED OR REPRODUCED IN ANY WAY, AND MAY NOT BE PASSED ON TO A THIRD PARTY WITHOUT WRITTEN PERMISSION.  
OWNERSHIP AND COPYRIGHT OF CONEC GmbH  
DO NOT ALTER CAD DRAWING BY HAND

			tolerance ISO 2768-m	 dim. in mm
2003	date	name		
drawn	30.07.	Lehmenkühler		
appd.	30.07.	Mickenbecker		
	norm			
	d-old			
rev.	description	date	name	



scale:	5:1	
material:	Cu Zn gal. nickel	
title:	HEX BOLT 4-40 UNC	
dwg no:	AutoCAD 2000	DIN-A
	16K1A987	4
		sh: 1/1
part no:	160X10379X	