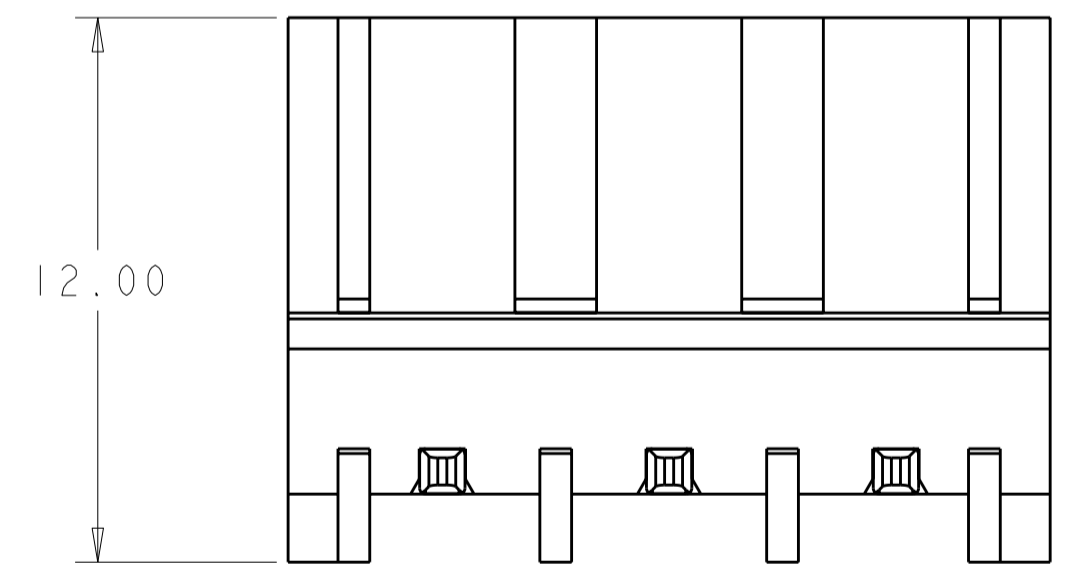
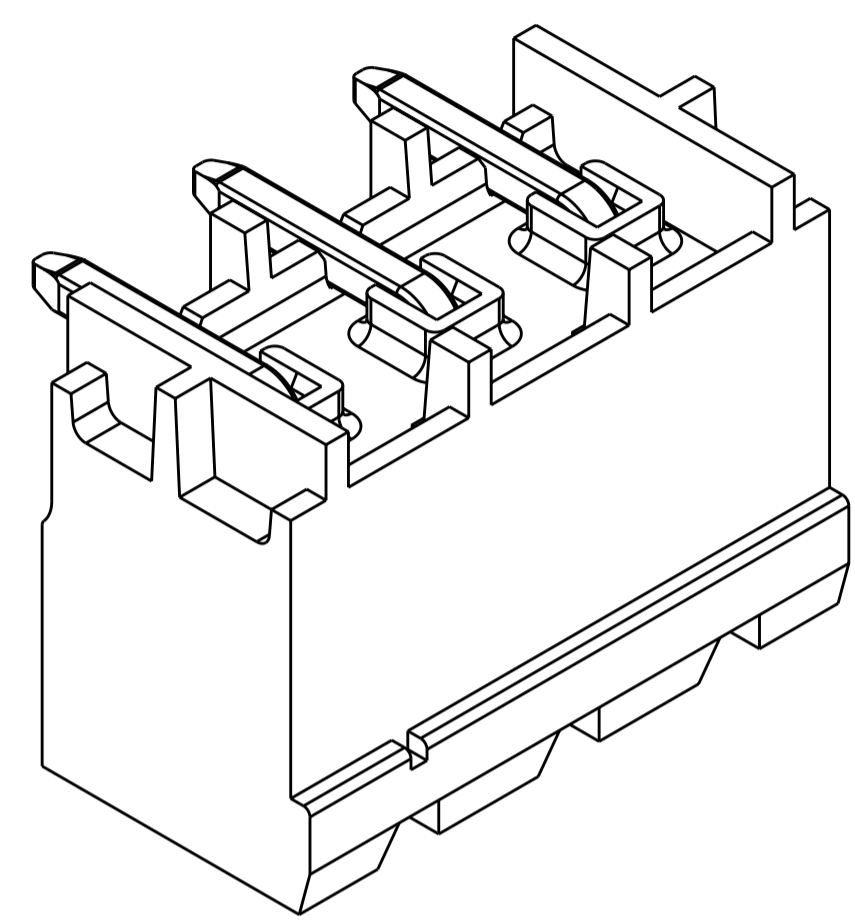
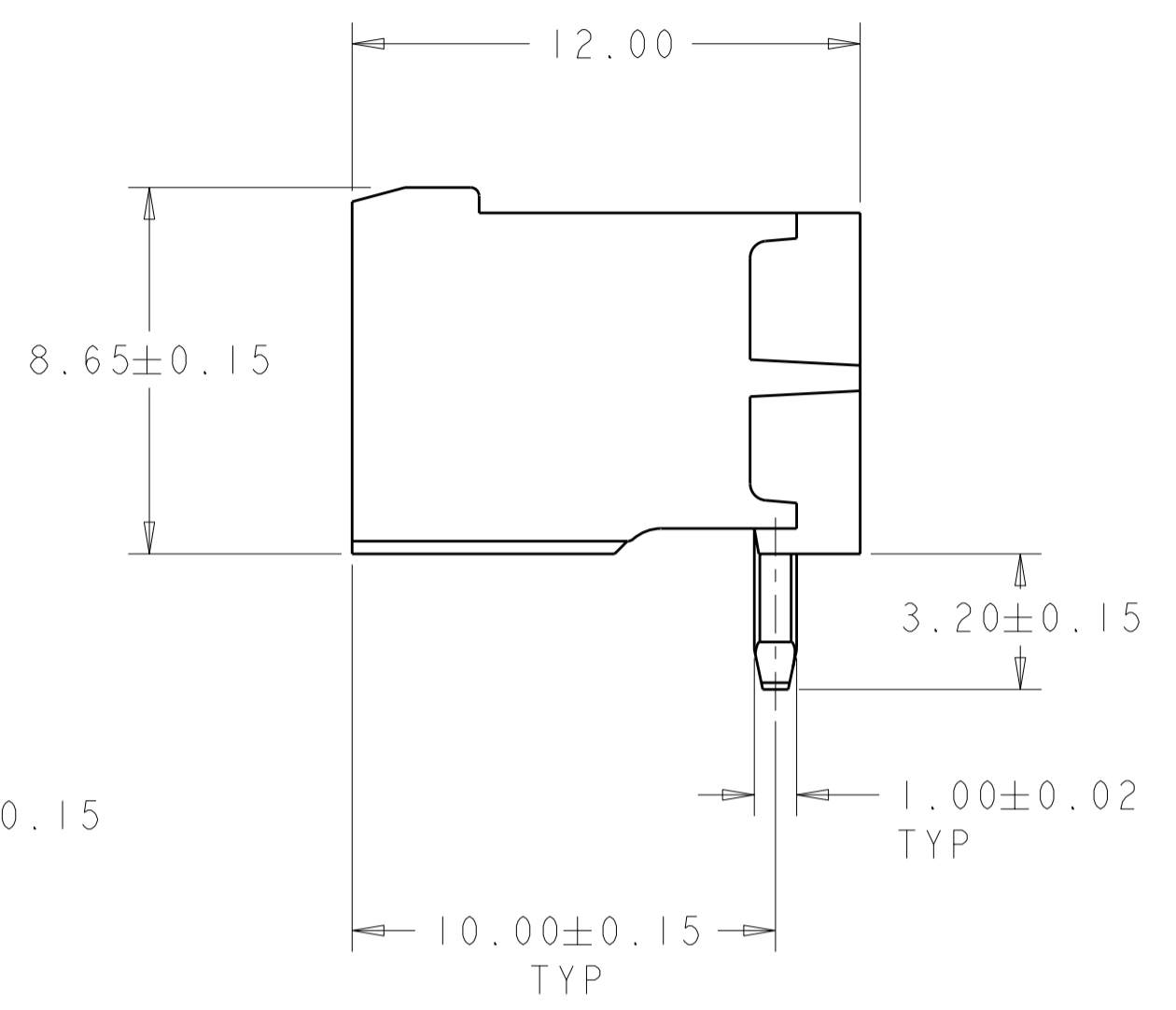
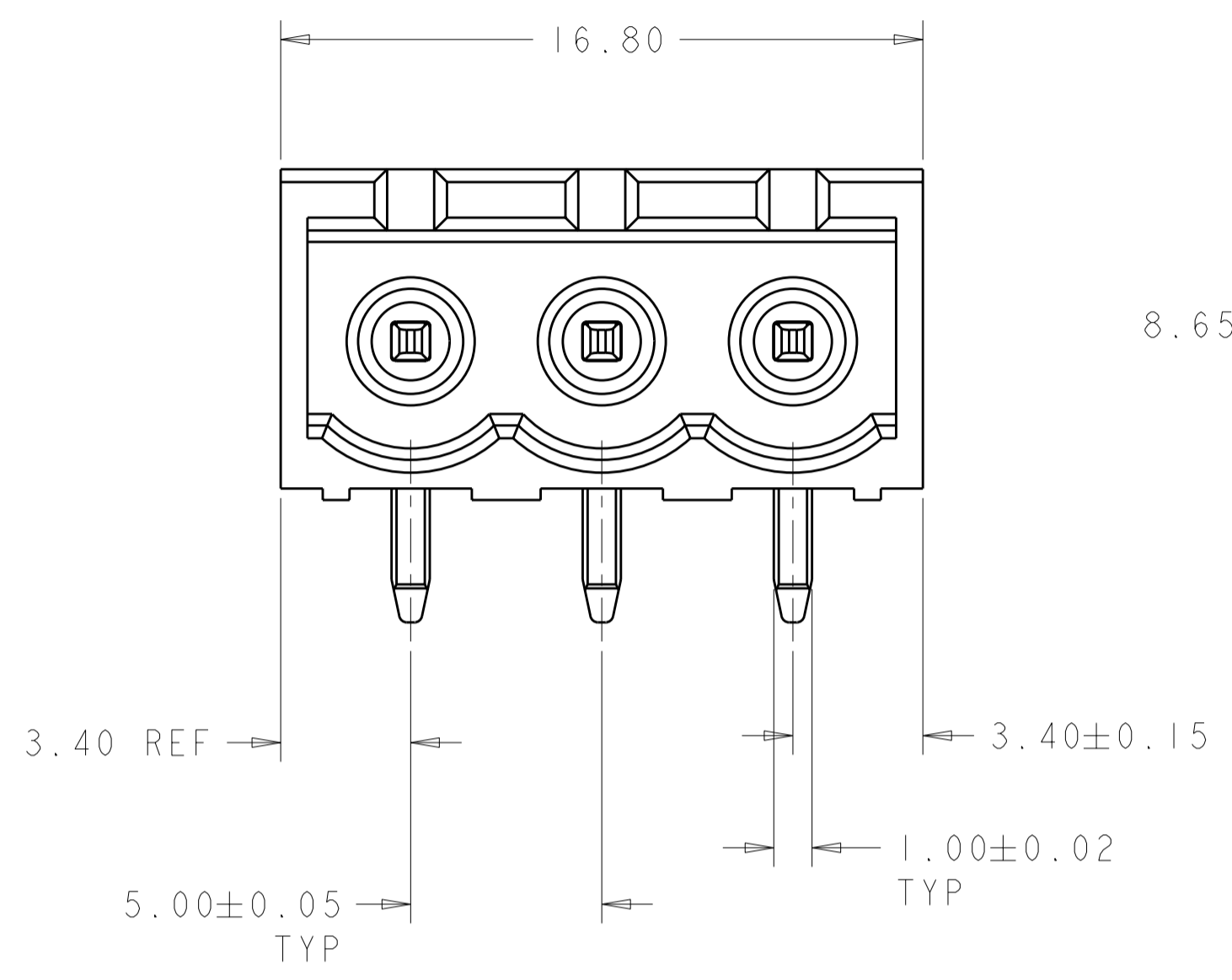


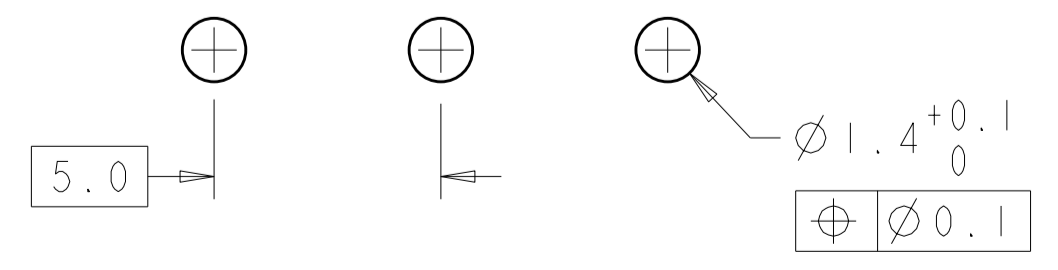
THIS DRAWING IS UNPUBLISHED. RELEASED FOR PUBLICATION 20  
 © COPYRIGHT 20 Tyco Electronics AMP GmbH ALL RIGHTS RESERVED.

LOC		DIST		REVISIONS			
P	LTR	DESCRIPTION	DATE	DWN	APVD		
	A2	REVISED PER ECO-12-007711	26APR2012	KH	MS		



- 1. MATERIALS AND FINISH:  
 HOUSING: HIGH TEMPERATURE POLYAMIDE, UL 94V-0 RATED,  
 COLOR: BLACK.  
 TERMINAL: COPPER ALLOY, SEE TABLE.
- 2. SUITABLE FOR 1,6-2, 4mm PC BOARD THICKNESS.
- 3. RECOGNIZED UNDER THE COMPONENT PROGRAM OF  
 UNDERWRITERS LABORATORIES INC. FILE N° E60677.
- 4. IMQ CERTIFICATE WITH SURVEILLANCE IN CONFORMITY  
 WITH IEC 998-1/998-2-1.
- 5. UL RATING 300V, 15A.
- 6. TAPE AND REEL PACKAGED.
- 7. PRELIMINARY PART NUMBER.

PLATING	DIM L	NO OF POSN	PART NUMBER
TIN	16.8	3	2-1776148-3
	26.8	5	1-1776148-3
	61.8	12	1-1776148-2
	56.8	11	1-1776148-1
	51.8	10	1-1776148-0
	46.8	9	1776148-9
	41.8	8	1776148-8
	36.8	7	1776148-7
	31.8	6	1776148-6
	26.8	5	1776148-5
21.8	4	1776148-4	
16.8	3	1776148-3	
11.8	2	1776148-2	



RECOMMENDED PC BOARD LAYOUT

THIS DRAWING IS A CONTROLLED DOCUMENT.

DIMENSIONS:	TOLERANCES UNLESS OTHERWISE SPECIFIED:	DWN S. WELDON 07JUN2005	TE Connectivity
mm	0 PLC ±	CHK C. RICHARD 07JUN2005	
	1 PLC ±0.1	APVD C. RICHARD 07JUN2005	
	2 PLC ±0.25	PRODUCT SPEC	
	3 PLC ±	APPLICATION SPEC	NAME
	4 PLC ±	WEIGHT	TERMINAL BLOCK HEADER ASSEMBLY, 90 DEGREE, CLOSED ENDS, 5.00mm PITCH
MATERIAL	FINISH	CUSTOMER DRAWING	SIZE
			A200779C-1776148
			CAGE CODE
			1776148
			DRAWING NO
			RESTRICTED TO
			-
			SCALE 6:1
			SHEET 1 OF 1
			REV A2