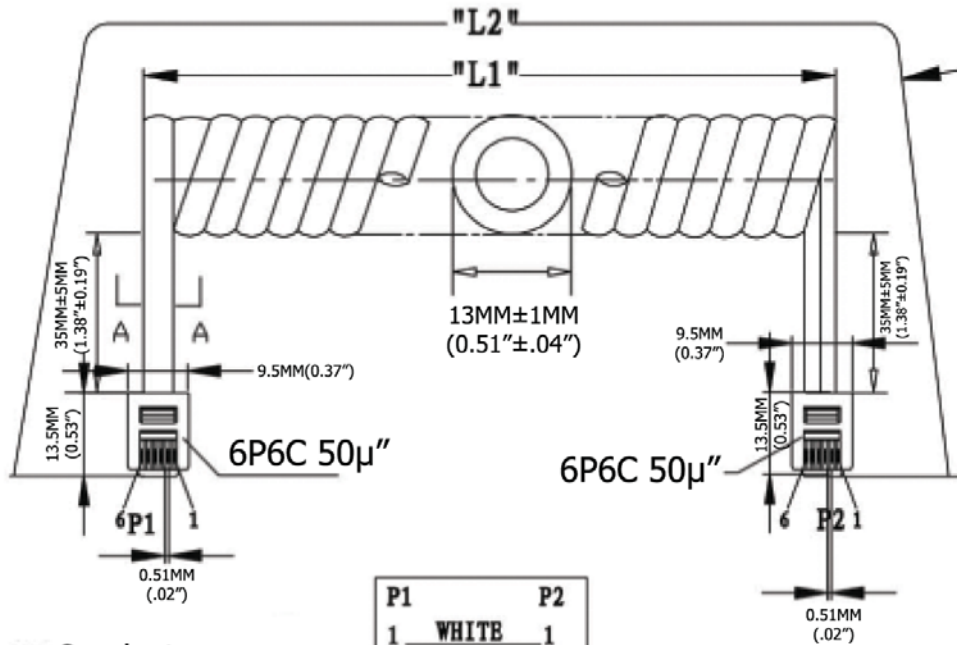
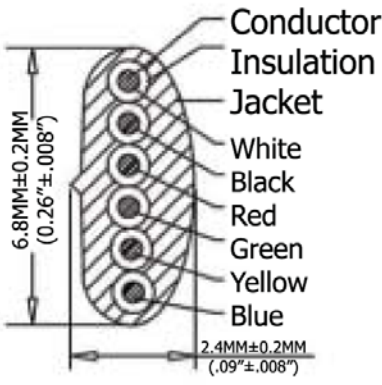


A
B
C
D
E
F
G
H

A
B
C
D
E
F
G
H



Extended length is with 500g of force



P1	P2
1 WHITE	1
2 BLACK	2
3 RED	3
4 GREEN	4
5 YELLOW	5
6 BLUE	6

Extended Length ("L2")	Typical Retracted Length ("L1")
60.0 Inches - 69.0 Inches	21.5 Inches
1,524.0MM-1,752.6MM	546.1MM

Material:

- Plug Housing: Polycarbonate, clear
- Plug Terminal: 0.36"[0.14MM] Thick Phosphor Bronze
- Connector: 50µ" of Selective Gold Contact Plating
 - Area, Gold flash over the remainder
 - Over 2.54µm[.000100] thick nickel underplate
- Conductor(X6C): 26AWG (0.12X12) Bare Copper
- Insulation(X6C): PP6331 ID 0.95-1.0
- Jacke: PVC No UL 80 P
- Package: Individual PE Bag

SBC: A-A



Scale	1:1						Name	Item No. AT-C-26-6/6/S-5/R
TOLERANCE					Drawn	11.02.11	Chappell	
X.X	±0.40				Approved			Title NON-UL 26 AWG (0.12X12)*6C, O.D.: 2.4*6.8MM, Standard Plug, 50µ" of contact plating, SILVER
X.XX	±0.25							
X.XXX	±0.15							Drawing No.
Angle	±3°							rev00
								Replace
								Sheet

