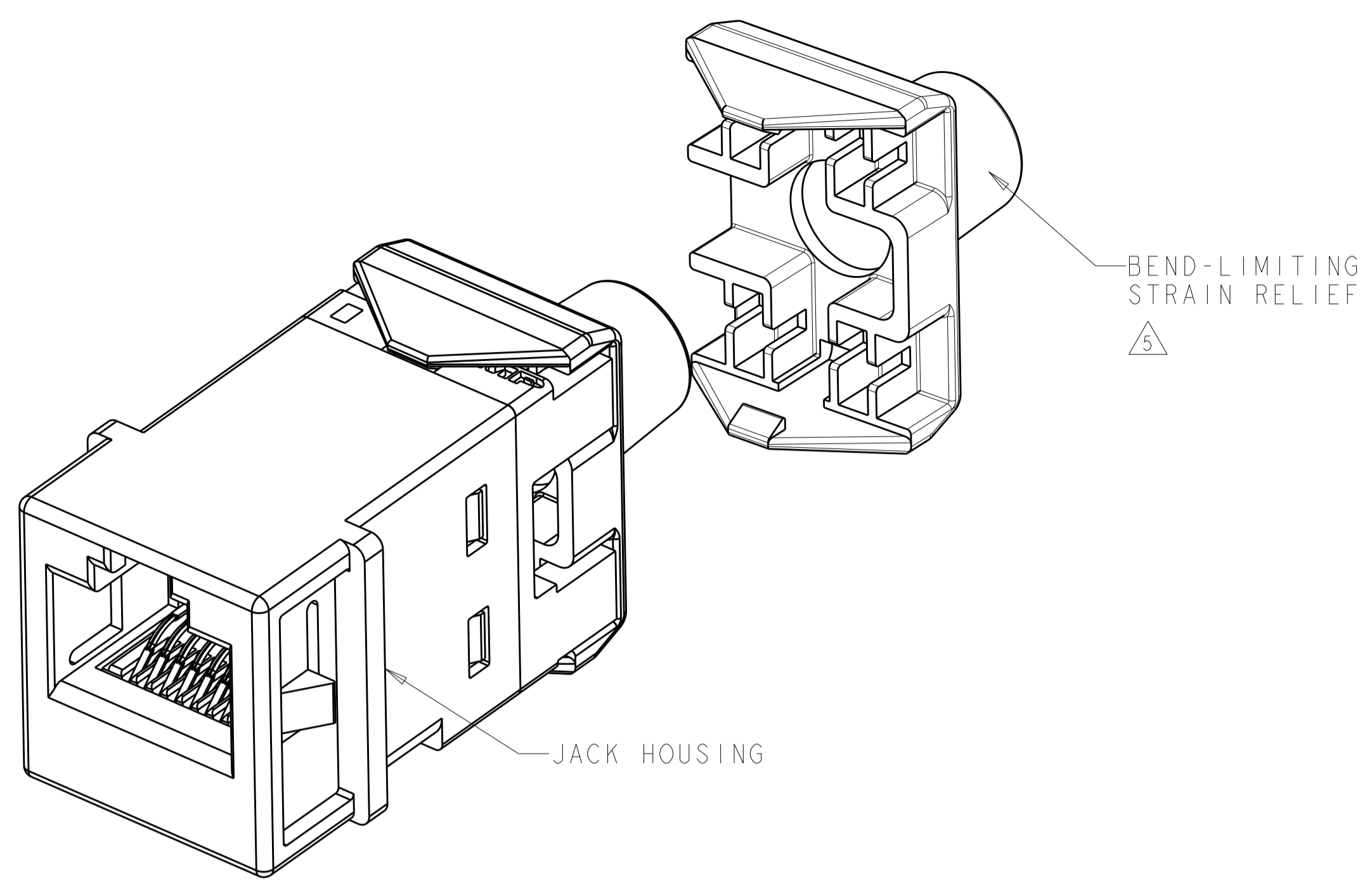
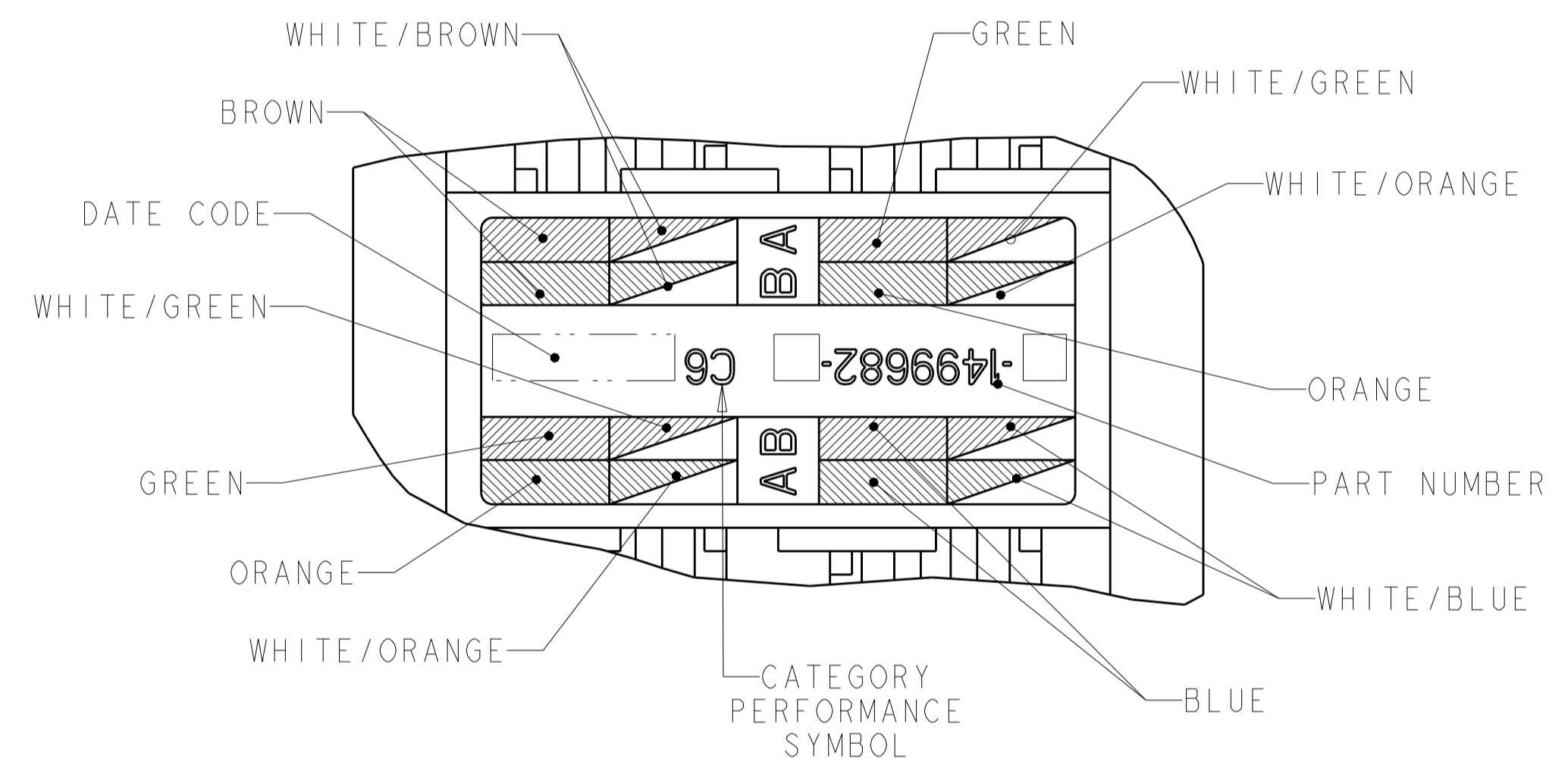
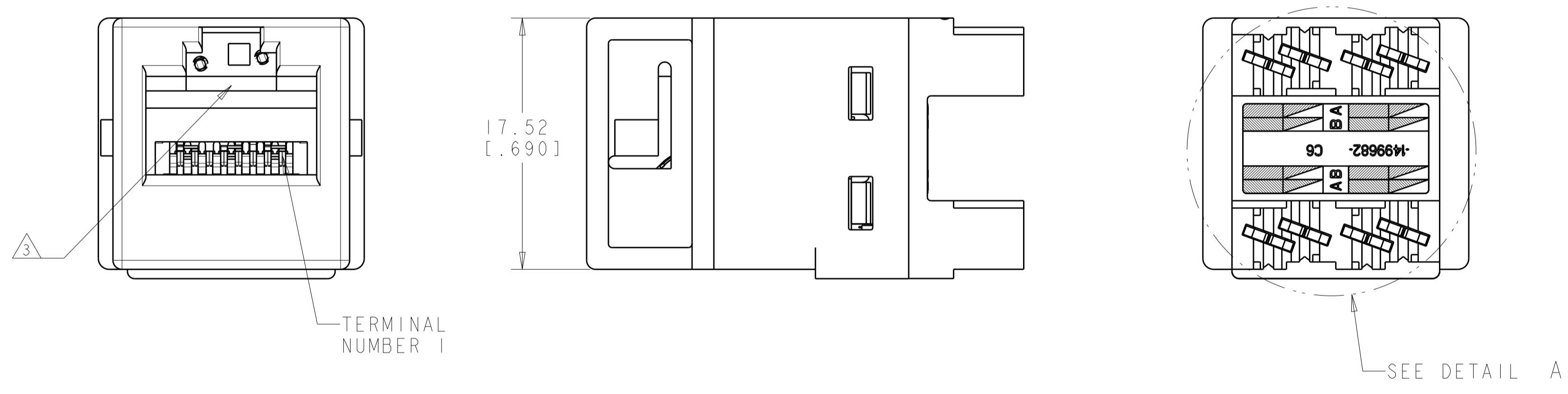


LOC		DIST		REVISIONS			
HM	00	P	LTN	DESCRIPTION	DATE	DWN	APVD
		E		REV PER ECO-13-001392	25JAN2013	JM	SJ



- 1 MATERIAL: JACK HOUSING - POLYCARBONATE, 94V-0 RATED.  
 110 BLOCK AND BEND LIMITING STRAIN RELIEF - POLYCARBONATE.  
 ARRAY TRAY - PBT POLYESTER.  
 JACK CONTACTS ARRAY - BERYLLIUM COPPER, PLATED WITH  
 1.27µm [0.00050] MINIMUM THICK GOLD IN LOCALIZED  
 AREA AND 3.81µm [0.00150] MINIMUM THICK MATTE TIN IN  
 BOARD INTERFACE AREA OVER 1.27µm [0.00050] MINIMUM THICK  
 NICKEL UNDERPLATE.  
 IDC TERMINALS - PHOSPHOROUS BRONZE, PLATED WITH  
 3.81µm [0.00150] MINIMUM THICK MATTE TIN OVER  
 1.27µm [0.00050] MINIMUM THICK NICKEL UNDERPLATE.
- 2. KLS JACK WILL TERMINATE 22-24 AWG SOLID CONDUCTORS,  
 1.27[.050] MAXIMUM INSULATION DIAMETER. JACK WILL ACCEPT  
 CONDUCTORS UP TO 1.45 [.057] BUT REQUIRE THE USE OF A  
 STRAIN RELIEF
- 3 CAVITY CONFORMS TO FCC RULES AND REGULATIONS  
 PART 68 SUBPART F REQUIREMENTS.
- 4 ONE MODULAR JACK ASSEMBLY PER POLYBAG.
- 5 USE IS OPTIONAL.
- 6 REFER TO 408-8858 FOR TERMINATION INSTRUCTIONS USING SL  
 SERIES TOOL TERMINATION. REFER TO 408-8417 FOR TERMINATION  
 INSTRUCTIONS USING 110 PUNCH DOWN TOOL.
- 7 APPLICATION: KLS SERIES JACKS ARE COMPATIBLE WITH COMMSCOPE  
 SYSTIMAX(R) M-SERIES FACEPLATES.



DETAIL A  
 SCALE 8:1

COLOR CODE	IDC TERMINAL	MODULAR JACK		COLOR CODE	IDC TERMINAL	MODULAR JACK	
WHITE/BLUE	5	5	→	WHITE/BLUE	5	→	5
BLUE	4	4	→	BLUE	4	→	4
WHITE/ORANGE	3	3	→	WHITE/ORANGE	1	→	1
ORANGE	6	6	→	ORANGE	2	→	2
WHITE/GREEN	1	1	→	WHITE/GREEN	3	→	3
GREEN	2	2	→	GREEN	6	→	6
WHITE/BROWN	7	7	→	WHITE/BROWN	7	→	7
BROWN	8	8	→	BROWN	8	→	8

ELECTRICAL SCHEMATIC  
 T568A

ELECTRICAL SCHEMATIC  
 T568B

4	ELECTRIC IVORY	1-1499682-1
	GREEN	1499682-9
	YELLOW	1499682-8
	BLUE	1499682-6
	WHITE	1499682-3
	BLACK	1499682-2
PACKAGE	HOUSING COLOR	PART NUMBER
	LIGHT ALMOND	1499682-1

THIS DRAWING IS A CONTROLLED DOCUMENT.

DIMENSIONS: MM [inches]

TOLERANCES UNLESS OTHERWISE SPECIFIED:

0 PLC	±
1 PLC	±
2 PLC	±
3 PLC	±
4 PLC	±
ANGLES	±
FINISH	±

MATERIAL: - FINISH: -

OWN: J MCNEAL 24FEB2006  
 CHK: P PEPE 24FEB2006  
 APVD: P PEPE 24FEB2006

PRODUCT SPEC: -  
 APPLICATION SPEC: 6

WEIGHT: -

CUSTOMER DRAWING

SCALE: 6:1 SHEET: 1 OF 1 REV: E

NAME: ASSEMBLY, CAT 6, UTP, KLS SERIES

SIZE: A100779 C=1499682

RESTRICTED TO: -

TE Connectivity