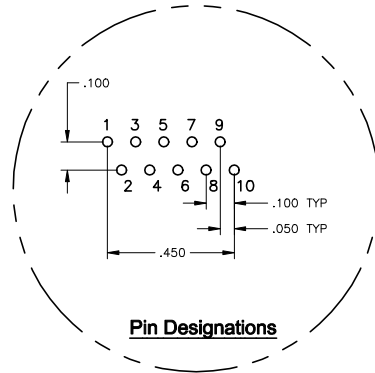
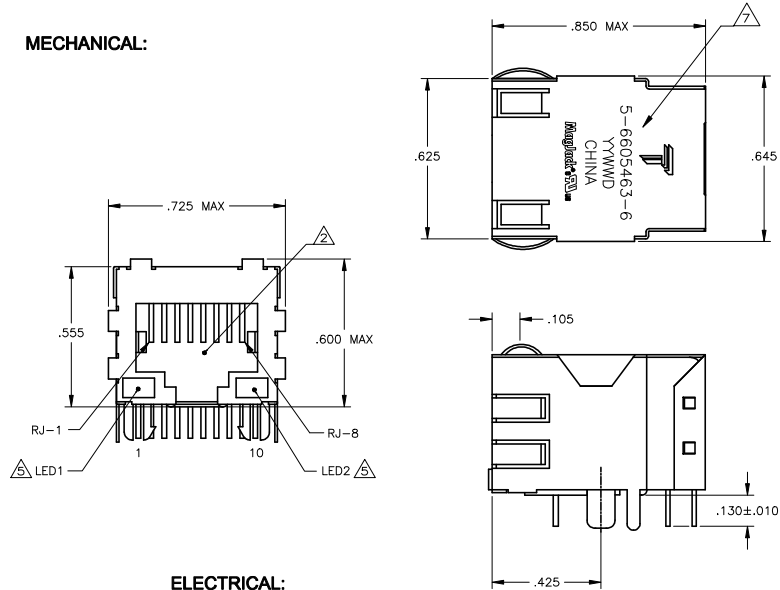


THIS DRAWING AND THE SUBJECT MATTER SHOWN THEREON ARE CONFIDENTIAL AND THE PROPERTY OF BEL/STEWART/TRP CONNECTOR AND SHALL NOT BE REPRODUCED, COPIED, OR USED IN ANY MANNER WITHOUT THE WRITTEN CONSENT OF TRP CONNECTOR.

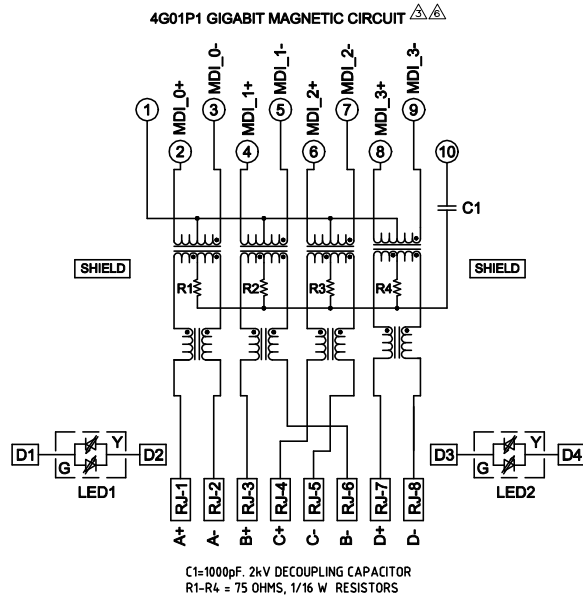
PRODUCT MAY BE PROTECTED BY ONE OR MORE OF THE FOLLOWING US PATENTS:  
 5736910 5939955 6425781 6428361 6554638 6840817 7123117  
 7429195 7717749 7808751 6217391 6149050 7924130

REVISIONS			
REV	DESCRIPTION	DATE	BY
F	EC-1411035 COMPANY LOGO CHANGE	30DEC2014	ST

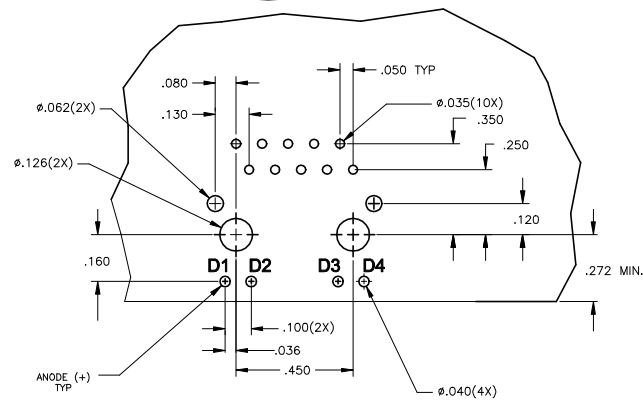
**MECHANICAL:**



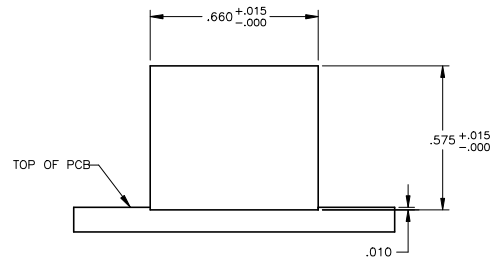
**ELECTRICAL:**



C1=1000pF, 2kV DECOUPLING CAPACITOR  
 R1-R4 = 75 OHMS, 1/16 W RESISTORS



**Suggested PCB Layout**  
(Component Side)



**Suggested Panel Cutout**

1 MATERIALS:  
 HOUSING - THERMOPLASTIC PET POLYESTER FLAMMABILITY RATING UL 94V-0.  
 SHIELD - .010" THICK, C26800 BRASS PREPLATED WITH 30µNCH MIN SEMI-BRIGHT NICKEL. SOLDER TABS POST DIPPED WITH 100µNCH MIN SAC SOLDER.  
 MOD JACK CONTACTS - 0.0157 X 0.018" PHOSPHOR BRONZE, 50µNCH MIN OVERALL NICKEL UNDERPLATE WITH SELECT 50µNCH MIN HARD GOLD FINISH PLATE.  
 SOLDER TAILS WITH 100µNCH MIN MATTE TIN AND/OR SAC SOLDER DIP.  
 LIGHT EMITTING DIODE(LED) - DIFFUSED EPOXY LENS, .020" X .020" CARBON STEEL WIREFRAME LEADS PRE-PLATED WITH 80µNCH SILVER OVER 40µNCH NICKEL UNDERPLATE OVER 40µNCH COPPER UNDERPLATE. POST-PLATED WITH 100µNCH MIN MATTE TIN AND/OR SAC SOLDER DIP OR PURE TIN SOLDER DIP.

- △ RJ45 JACK CAVITY CONFORMS TO FCC RULES AND REGULATIONS PART 68, SUB PART F.
- △ MAGNETICS  
 -IMPEDANCE: 100 OHMS  
 -TURNS RATIO (CHIP/CABLE): 1:1 ALL FOUR PAIRS  
 -OPEN CIRCUIT INDUCTANCE (OCL): 350µH MIN @100kHz, 0.1VRMS, 8mADC BIAS FROM 0°C TO 70°C, ALL FOUR PAIRS  
 -ALL FOUR PAIRS BI-DIRECTIONAL  
 -PERFORMANCE @ 25°C:  
 INSERTION LOSS (IL): 1.1dB MAX FROM 0.5MHz TO 100MHz  
 RETURN LOSS (RL): 18dB MIN FROM 0.5MHz TO 4.0MHz  
 12-20LOG(f/80)dB MIN FROM 4.0MHz TO 100MHz  
 CROSSTALK ATTENUATION: 35dB MIN FROM 0.5MHz TO 4.0MHz  
 33-20-LOG(f/50)dB MIN FROM 4.0MHz TO 100MHz  
 COMMON MODE REJECTION RATIO (CMRR): 30dB MIN FROM 0.5MHz TO 100MHz  
 -ISOLATION VOLTAGE: 2250VDC (MAX) FOR 60 SECONDS WITH A RISE TIME OF 500V/SEC.
- 4 OPERATION TEMPERATURE: FROM 0°C To +70°C.
- △ LEDS ARE DRIVEN WITH CONSTANT CURRENT AT APPROX 20mA.  
 LED COLOR: DOMINANT WAVELENGTH (λD): GREEN 568 nm TYP @ IF=20mA  
 FORWARD VOLTAGE (VF): GREEN 2.2V TYP @ IF=20mA  
 DOMINANT WAVELENGTH (λD): YELLOW 588 nm TYP @ IF=20mA  
 FORWARD VOLTAGE (VF): YELLOW 2.1V TYP @ IF=20mA.
- △ THE MAGNETICS ARE SYMMETRIC TO SUPPORT AUTO-MDI/MDIX.
- △ TRP CONNECTOR LOGO, PART NUMBER, DATE CODE, COUNTRY OF ORIGIN AND AGENCY APPROVAL MARKING IN APPROXIMATE LOCATION SHOWN.
- 8. THE PART IS RECOMMENDED FOR WAVE SOLDERING PROCESS.  
 PREHEAT TEMPERATURE IS 120°C TO 160°C, 120 SECONDS TO 180 SECONDS,  
 PEAK SOLDERING TEMPERATURE IS 260 °C MAX, 10 SECONDS MAX.

GREEN/YELLOW	GREEN/YELLOW	5-6605463-6
LED1	LED2	PART NUMBER

THIS DRAWING IS A CONTROLLED DOCUMENT:		DRAWN BY: T. VARELA - DOCKS		CHECKED BY: [Signature]	
DIMENSIONS: INCHES		DESIGNED BY: D. FAROLE		DATE: 11/11/14	
1 2 3 4 5 6 7 8 9 10		1 2 3 4 5 6 7 8 9 10		1 2 3 4 5 6 7 8 9 10	
108-2100		MAGJACK SINGLE NON-POE		1X1 4G01P1 GIGABIT TAB DOWN W/ LED	
CUSTOMER DRAWING		SCALE: NTS		SHEET 1 OF 1	