

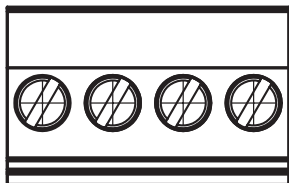
1

2

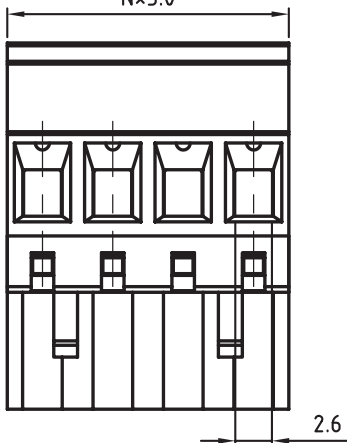
3

4

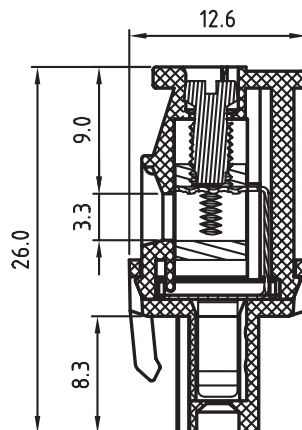
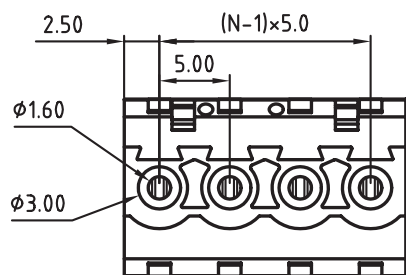
5



N×5.0



N = Number of contacts



TECHNICAL CHARACTERISTICS

MATERIAL
 INSULATOR: PA 66
 FLAMABILITY RATING: UL94-V0
 COLOR: GREEN
 METAL HOUSING: BRASS (CuZn)
 TERMINAL SCREW: STEEL ZINC PLATING
 TERMINAL SCREW SLOT TYPE: "-"
 WIRE GUARD: PhBz TIN PLATED

ENVIRONMENTAL
 OPERATING TEMPERATURE: -40 UP TO 105°C
 COMPLIANCE: LEAD FREE AND ROHS

| | | |
|-----------------------|-------------|--------|
| ELECTRICAL | cULus | VDE |
| CURRENT RATING: | 15A | 17A |
| WORKING VOLTAGE: | 300VAC | 300VAC |
| WITHSTANDING VOLTAGE: | 1.6KV | 2.5KV |
| CONTACT RESISTANCE: □ | 20 mOhm max | |

| | |
|----------------|------------------------------------|
| MECHANICAL | |
| SOLID WIRE: | 24-12 AWG / 0.2-3.0MM ² |
| STRANDED WIRE: | 24-12 AWG / 0.2-3.0MM ² |
| TORQUE: □ □ | 3.5Lb-In / 0.40Nm |

WIRE STRIPE LENGTH: 6-7MM
 SCREW: M3.0
 PITCH: 5.00MM

PACKAGING: BOX

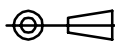
SERIE 3517

CERTIFICATION



RoHS Compliant

PROJECTION:



GENERAL TOLERANCE

.X = +/- 0.2

.XX = +/- 0.15



APPROVAL: RJ

UNIT: MM

SCALE:

SHEET: 1/1

DRAW: MARVIN

DESCRIPTION: SERIE 3517 - 5.00MM HORIZONTAL CABLE ENTRY PLUG WITH
 HOOK ON WIRE SIDE - 3.0MM² WIRE WR-TBL

WERI PART NO: 691 351 700 0xx

SIZE

A4

| | | | |
|-----|-------------|---------|----|
| G | | | |
| F | | | |
| E | | | |
| D | | | |
| C | | | |
| B | | | |
| A □ | 04-NOV-08 □ | PDF □ □ | JP |
| REV | DATE | FILE | BY |