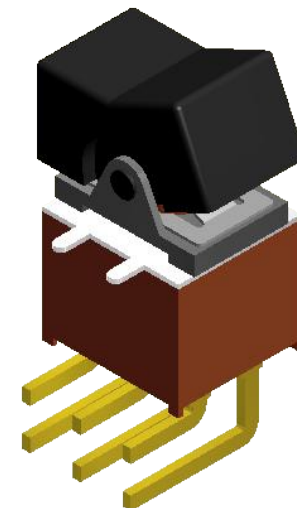
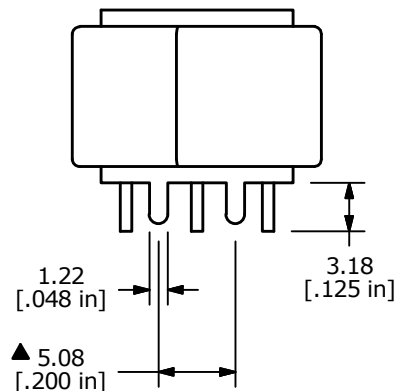
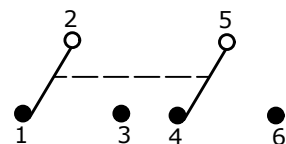


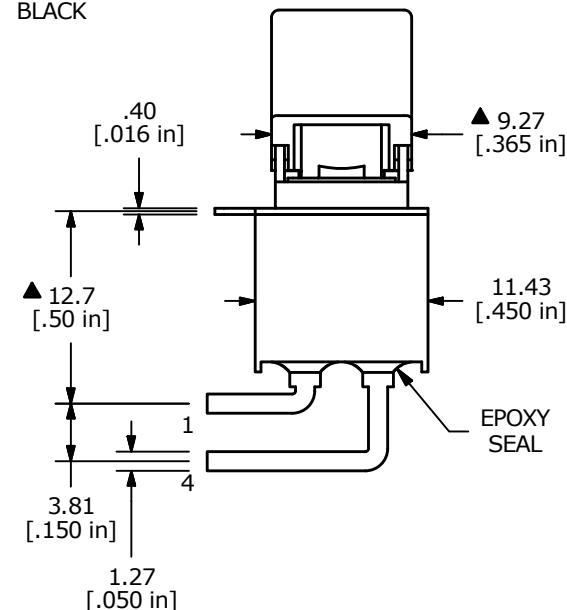
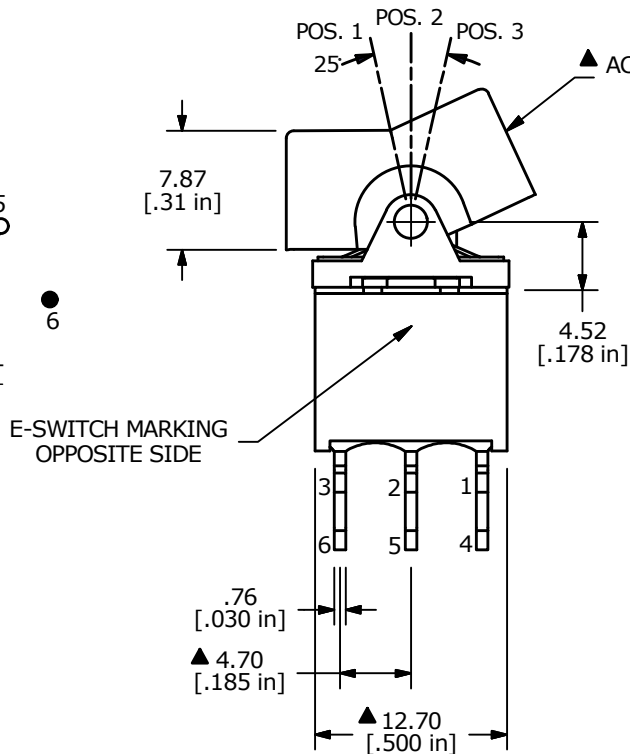
RECOMMENDED P.C. MOUNTING



SWITCH FUNCTION		
POS. 1	POS. 2	POS. 3
ON	OFF	ON
2-3, 5-6	OPEN	2-1, 4-5



CIRCUIT: DPDT



NOTE:

- ALL DIMENSIONS IN MM [INCH]
- GENERAL TOLERANCE: X.X=±0.4
X.XX=±0.25
- TERMINAL NUMBERS FOR REF ONLY
- PLATING MATERIAL: SILVER
- RATING: 5A @120VAC or 28VDC
2A @250VAC
- ELECTRIC LIFE: 30,000 MAKE-AND-BREAK CYCLES AT FULL LOAD.
- INSULATION RESISTANCE: 1,000 MEGA-OHM MIN.
- DIELECTRIC STRENGTH: 1,000 V RMS @SEA LEVEL.
- OPERATING TEMP.: -30°C to 85°C
- ▲ DENOTES CRITICAL PARAMETER.
- 2011/65/EU (ROHS) COMPLIANT



E	22705	UPDATED MOUNT DIM FROM 5.80 TO 5.08	2/13/17	MJR
D	22689	ADDED COMPRESSION PLATE	1/23/17	MJR
REV	PCR NO	DESCRIPTION	DATE	BY

TITLE 300AWDP3J1BLKM6QE				
SCALE 2:1	DATE 6/27/2003	DR TN	DWG T302108	REV E

THE INFORMATION CONTAINED IN THIS DOCUMENT IS PROPRIETARY TO E-SWITCH AND IS NOT TO BE COPIED OR TRANSFERRED