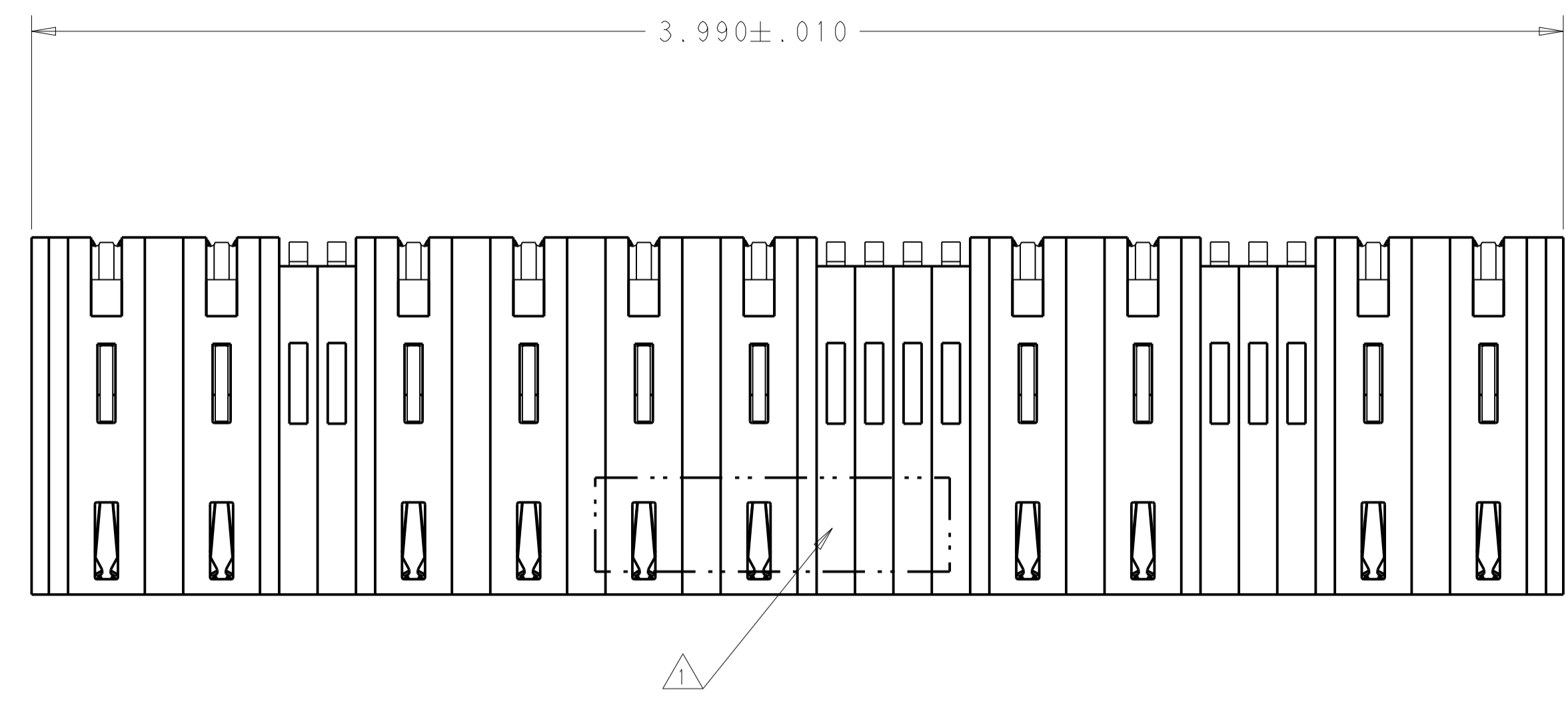
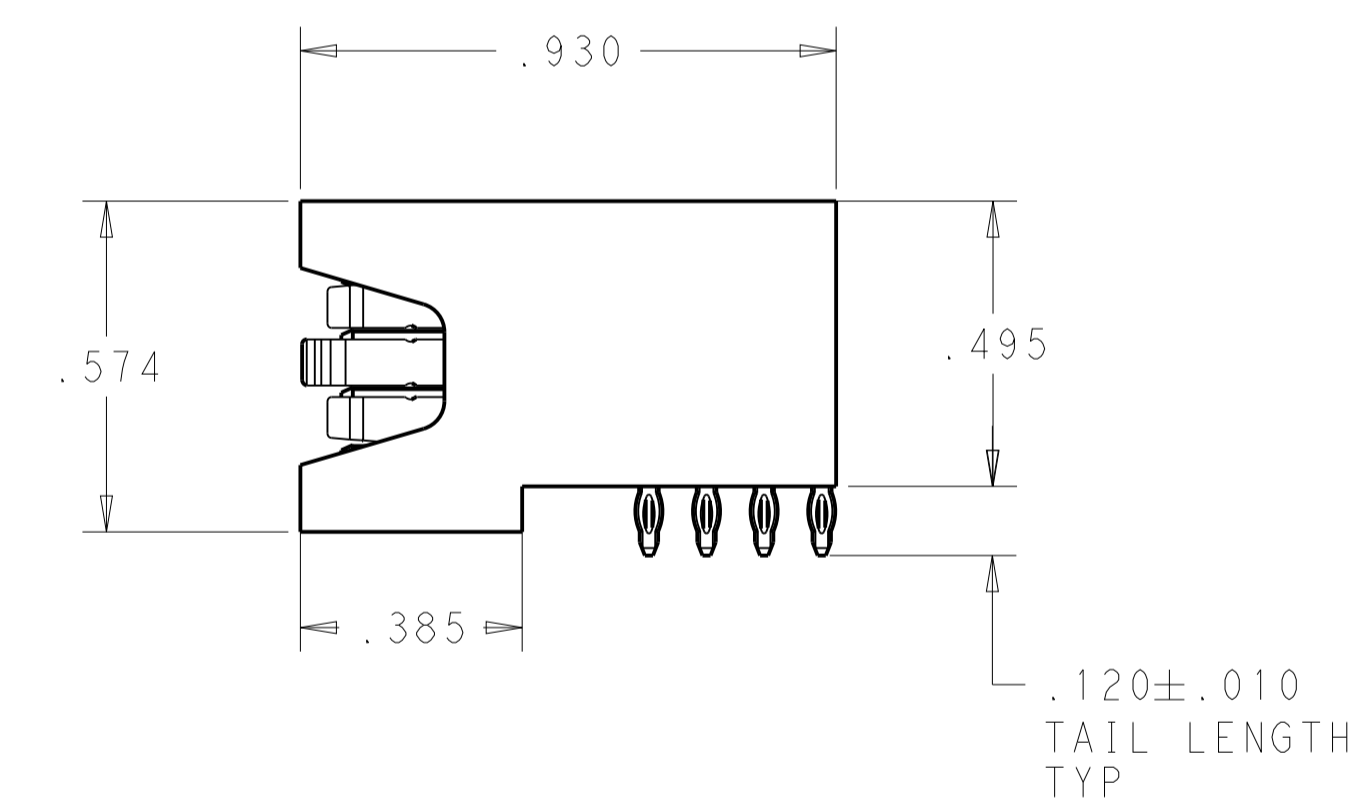
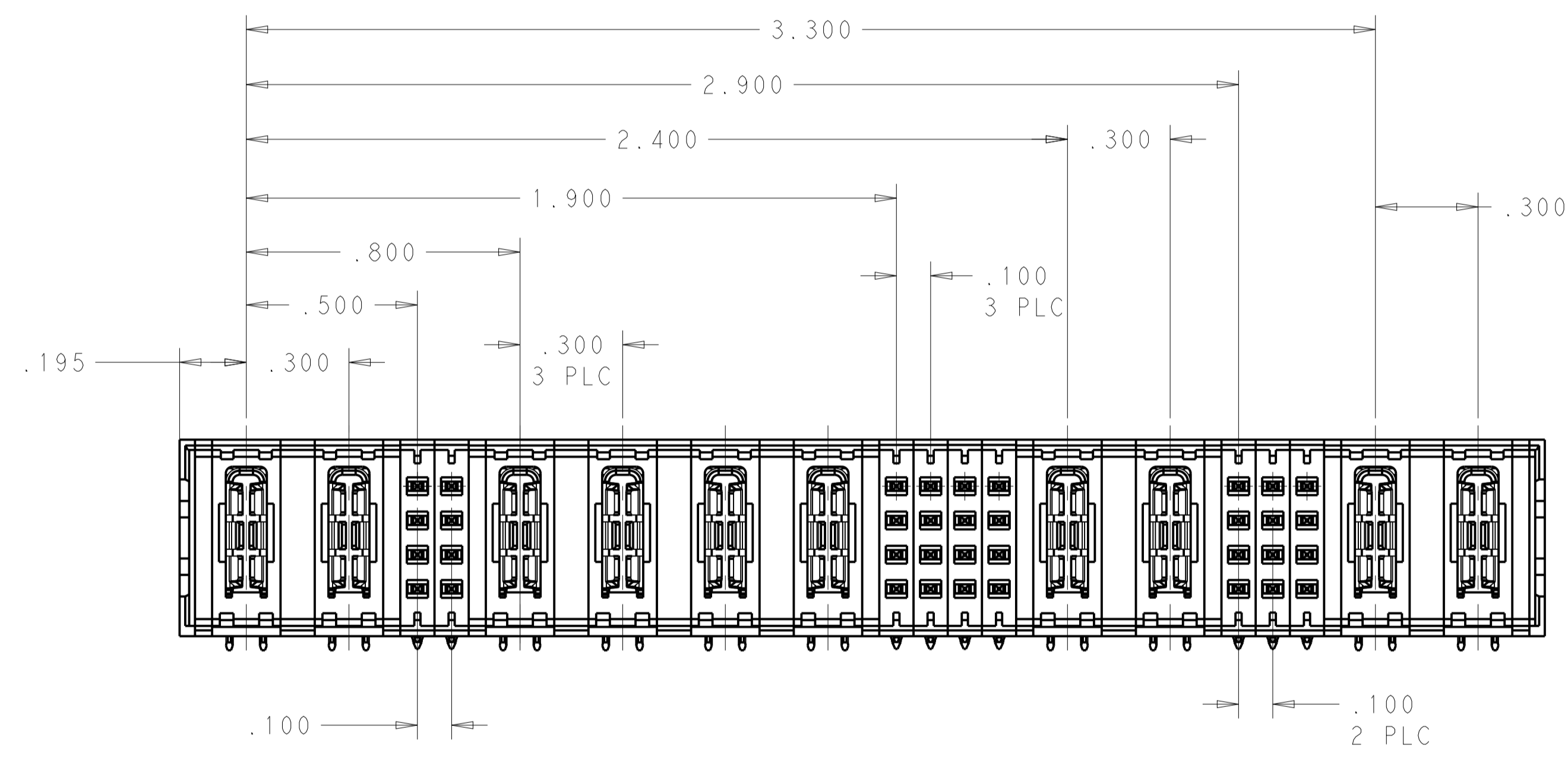


REVISIONS				
P.	LTN	DESCRIPTION	DATE	DWN APVD
A1		REVISED	28SEP2014	CZ SZ



- ① "AMP", PART NUMBER, AND DATECODE TO BE MARKED IN AREA SHOWN. PARTS UNDER 2.00 LONG MAY BE MARKED ON BOTH SIDES.
- ② MATERIAL: HOUSING - GLASS FILLED HIGH TEMP THERMO PLASTIC, BLACK, UL94 V-0
 SIGNAL CONTACT - COPPER ALLOY
 POWER CONTACT - HIGH CONDUCTIVITY COPPER ALLOY
- ③ CONTACT PLATING: SIGNAL CONTACTS - .000050 MIN Ni UNDER ALL.
 .000030 MIN Au ON CONTACT AREA.
 .000100 MIN Sn AT PCB INTERFACE.)
 POWER CONTACTS - .000050 MIN Ni UNDER ALL.
 .000030 MIN Au AT CONTACT AREA.
 .000100 MIN Sn AT PCB INTERFACE.
- ④ MECHANICAL CONNECTOR KEEP OUT ZONE.
- ⑤ DATUM AND BASIC DIMENSIONS ESTABLISHED BY CUSTOMER.
- ⑥ PCB - HOLE DIAMETERS ARE FINISHED HOLE SIZE.
- ⑦ PCB - .0453 ± .0010 DRILLED HOLES PLATED WITH .0003 MIN Sn OVER .001 TO .003 Cu PLATING TO ACHIEVE A .040 DIA HOLE.

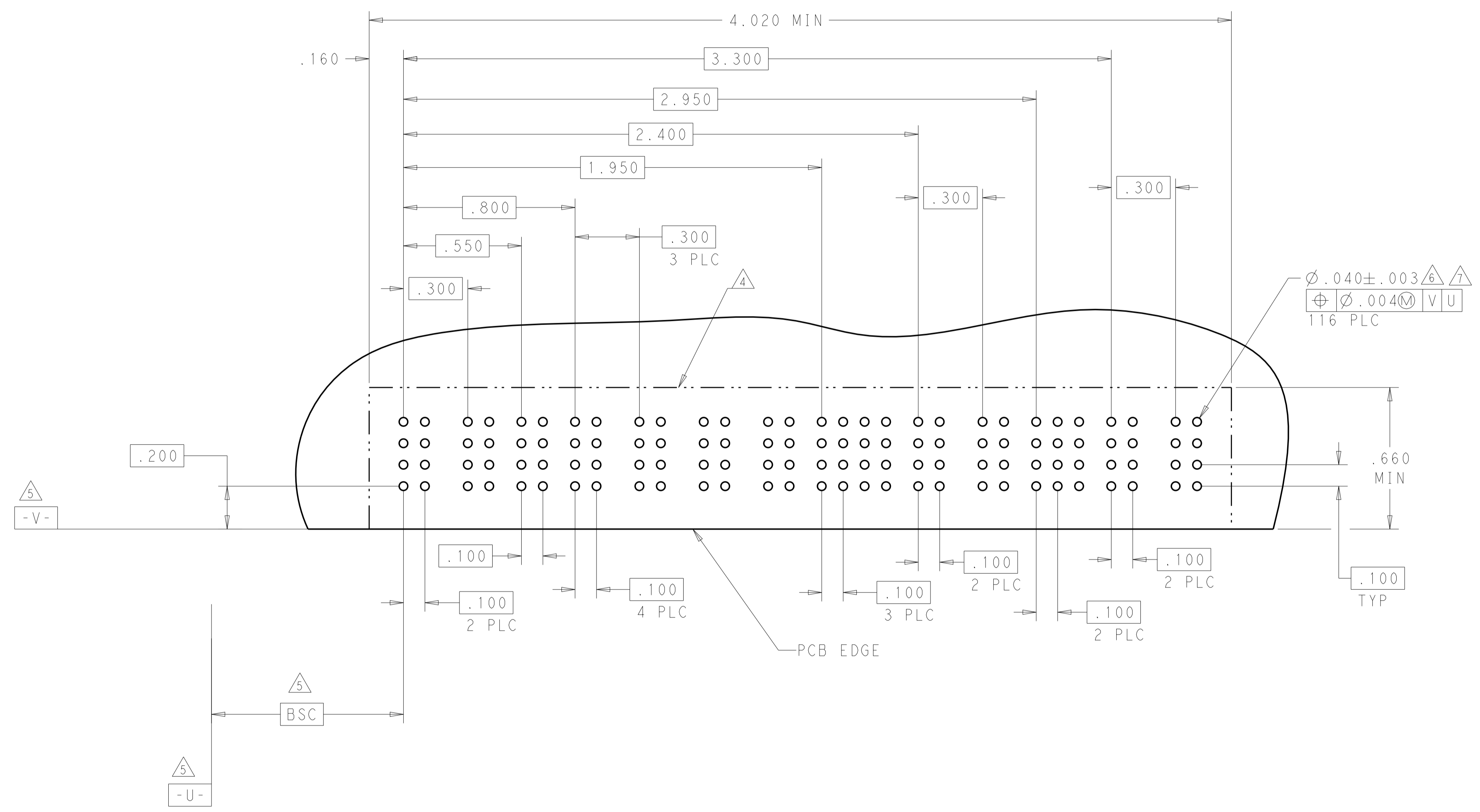


2ACP+8S+4ACP+16S+2ACP+12S+2ACP	6450849-6
DESCRIPTION	PART NUMBER

THIS DRAWING IS A CONTROLLED DOCUMENT.		DWN C. ZHOU 28DEC2009	TE Connectivity	
DIMENSIONS: INCHES		CHK S. ZHAO 28DEC2009	NAME RIGHT ANGLE HEADER ASSEMBLY WITH GUIDELESS MULTI-BEAM XLE	
TOLERANCES UNLESS OTHERWISE SPECIFIED:		APVD	PRODUCT SPEC 108-2292	
0 PLC ±		APPLICATION SPEC 114-13251		
1 PLC ±		SIZE A1		
2 PLC ±		CAGE CODE DRAWING NO 00779		
3 PLC ±		DRAWING NO 6450849-6		
4 PLC ±		RESTRICTED TO		
ANGLES ±		WEIGHT		
FINISH		CUSTOMER DRAWING		
MATERIAL		SCALE 1:4 SHEET 1 OF 2 REV A1		

REVISIONS				
P.	LTN	DESCRIPTION	DATE	APVD
-	-	SEE SHEET 1	-	-

PART NUMBER	ROWS	POWER		SIGNAL		POWER				SIGNAL				POWER		SIGNAL		POWER		
		P1	P2	1	2	P3	P4	P5	P6	3	4	5	6	P7	P8	7	8	9	P9	P10
6450849-6	D C B A	TT	TT	Z5	Z5	TT	TT	TT	TT	Z5	Z5	Z5	Z5	TT	TT	Z5	Z5	Z5	TT	TT
				Y5	Y5					Y5	Y5	Y5	Y5			Y5	Y5	Y5		
				R5	R5					R5	R5	R5	R5			R5	R5	R5		
				O5	O5					O5	O5	O5	O5			O5	O5	O5		
2ACP+8S+4ACP+16S+2ACP+12S+2ACP																				



THIS DRAWING IS A CONTROLLED DOCUMENT.		DWN C. ZHOU CHK S. ZHAO	28DEC2009 28DEC2009	TE Connectivity
DIMENSIONS: INCHES	TOLERANCES UNLESS OTHERWISE SPECIFIED:	APVD		
0 PLC ± 1 PLC ± 2 PLC ± 3 PLC ±.005 4 PLC ±.0020 ANGLES ±.2	FINISH - -	PRODUCT SPEC 108-2292 APPLICATION SPEC 114-13251 WEIGHT -	NAME RIGHT ANGLE HEADER ASSEMBLY WITH SHORT END MODEL MULTI-BEAM XLE SIZE A100779	RESTRICTED TO -
MATERIAL		CUSTOMER DRAWING		SCALE 1:4 SHEET 2 OF 2 REV A1