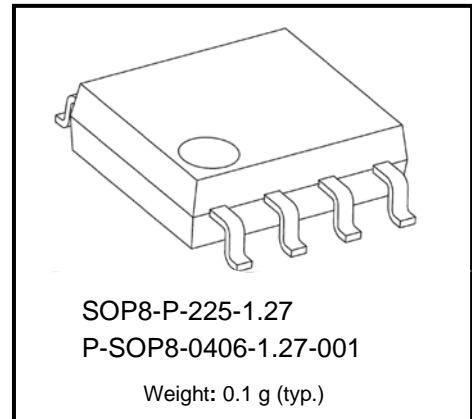


# TB6819AFG

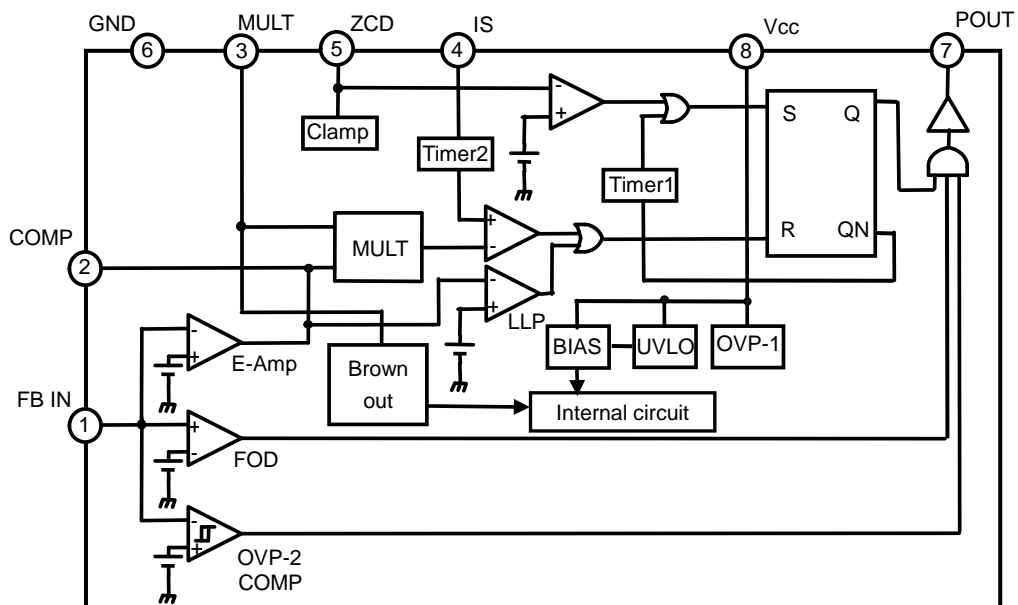
## Critical Conduction Mode (CRM) PFC Controller IC

### Features

- Operating voltage range: 10.0 to 25 V
- Startup voltage: 12.0 V (typ.)
- Maximum drive current: 1.0 A
- Variety of protection circuits
  - DC Input overvoltage protection (OVP-1)
  - PFC Output overvoltage protection (OVP-2)
  - Under voltage lockout (UVLO)
  - Feedback-loop open detector (FOD)
  - Brown out protection (BOP)
- Package: SOP8



### Block Diagram



## Absolute Maximum Ratings (Ta = 25°C)

Characteristics	Symbol	Rating	Unit
Supply voltage	Vccmax	25.0	V
Maximum input voltage on all pins	Vinmax	(Note 3)	V
Minimum input voltage on all pins	Vinmin	GND - 0.3	V
Power dissipation 1 (Note 1)	PDmax	650	mW
Operating ambient temperature (Note 2)	Topr	-40 to 90	°C
Junction temperature	Tj	150	°C
Storage temperature	Tstg	-55 to 150	°C

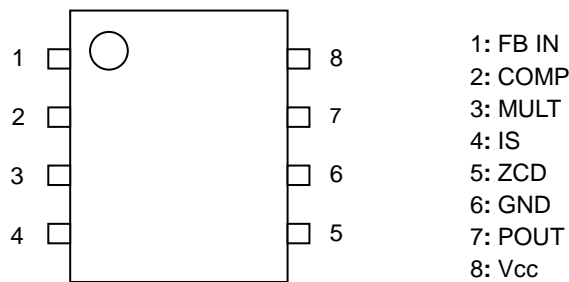
Note 1: The rated power dissipation should be decreased by 5.2 mW/°C at above Ta = 25°C ambient.

Note 2: Functional operation is guaranteed over the specified temperature range.

Note 3: See the table below

Pin No.	Pin Name	Maximum Input Voltage (Rating)	Unit
1	FB IN	5.0	V
2	COMP	5.0	
3	MULT	5.0	
4	IS	5.0	
5	ZCD	7.0	
6	GND	—	
7	POUT	Do not apply any voltage.	
8	Vcc	25.0	

## Pin Assignments



## Pin Function

No.	Pin Name	Functional Description
1	FB IN	Output voltage feedback pin. This is the input of the error amplifier (E-Amp), OVP-2 and FOD. The PFC output voltage should be resistively divided down and applied to this pin. The error amplifier reference voltage is set to 2.51 V (typ.). For other features, see the following. 1. Overvoltage protection on the PFC output (OVP-2) If the PFC output voltage increases and this pin voltage exceeds 2.69 V, the POUT (pin 7) output is forced to Low. The POUT pin will then be enabled again when this pin voltage falls below 2.51 V. 2. Feedback-loop open detection (FOD) If this pin voltage falls below 0.25 V because of error conditions such as a Feedback-loop open, the POUT (pin 7) output is forced to Low. The POUT pin will then be enabled again when this pin voltage reaches 0.5 V.
2	COMP	Error amplifier output. An external filter is required to keep the open loop gain below 0 dB at the frequency twice the AC input frequency that is superimposed on the PFC output. This external filter must be designed to provide enough phase margins.
3	MULT	Detection pin for a full-wave rectified AC voltage waveform. This pin is the input of the multiplier and BOP circuit. The full-wave rectified voltage is resistively divided and connected to this pin. The full-wave rectified voltage applied to this pin is internally multiplied to serve as a reference signal for the PFC operation. If the MULT voltage is below 0.75 V, the BOP is activated and the TB6819AFG does not enter Standby mode. After the TB6819AFG is started, it stops its operation and enters Standby mode if the MULT voltage falls below 0.55 V and peak voltage remains below 0.75 V for 100 ms.
4	IS	Input pin for the current detection comparator. If the IS voltage exceeds the multiplier output voltage, which is the IS comparator reference voltage, the RS flip-flop is reset. Too high a multiplier output voltage causes an external switch to fail to switch off. To avoid this, the upper limit of the IS comparator reference voltage is clamped to 1.7 V.
5	ZCD	Zero current detection pin for an external transformer. The zero-current detector senses an inductor current via the auxiliary winding of the coil and sets the RS flip-flop when the current reaches zero. Since the voltage of auxiliary winding varies significantly, the ZCD pin has an internal clamp circuit. If the inductor current does not reach zero for 200 $\mu$ s (typ.) while the TB6819AFG is running, the Timer1 restart timer output sets the RS flip-flop and restarts the switching.
6	GND	Ground pin.
7	POUT	Switching pulse output supplied to the FET switch.
8	Vcc	Supply voltage input pin for the TB6819AFG operation. The operating voltage ranges from 10 V (min) to 25 V (max). Owing to the UVLO feature, the TB6819AFG is turned off when Vcc falls below 9.5 V. The TB6819AFG is turned on again when Vcc reaches 12 V.

### •Notes when the protection circuits are working

The internal circuit works as shown in the following table when the protectors are operating. Except for TSD, the output of pin 7 is kept at a low level in order to shut down outer FET. Only in the case of TSD is the output of pin 7 is kept floating. It is necessary to connect the pull down resistor of several 10 k $\Omega$  to save outer FET when TSD works.

TSD is accorded top priority. Even if the other protector is working, pin 7 floats if the IC temperature exceeds 175°C (typ.).

Protector	Remarks (typ.)	Internal circuit	Pin 7 output
OVP-2	FB IN $\geq$ Verr (2.51 V) + 180 mV	Working	L
FOD	FB IN $\leq$ 0.5 V	Working	L
UVLO	Vcc $\leq$ 9.5 V	Standby	L
Brown out	MULT $\leq$ 0.75 V	Standby	L
TSD	Chip temperature $\geq$ 175°C	Standby	Floating

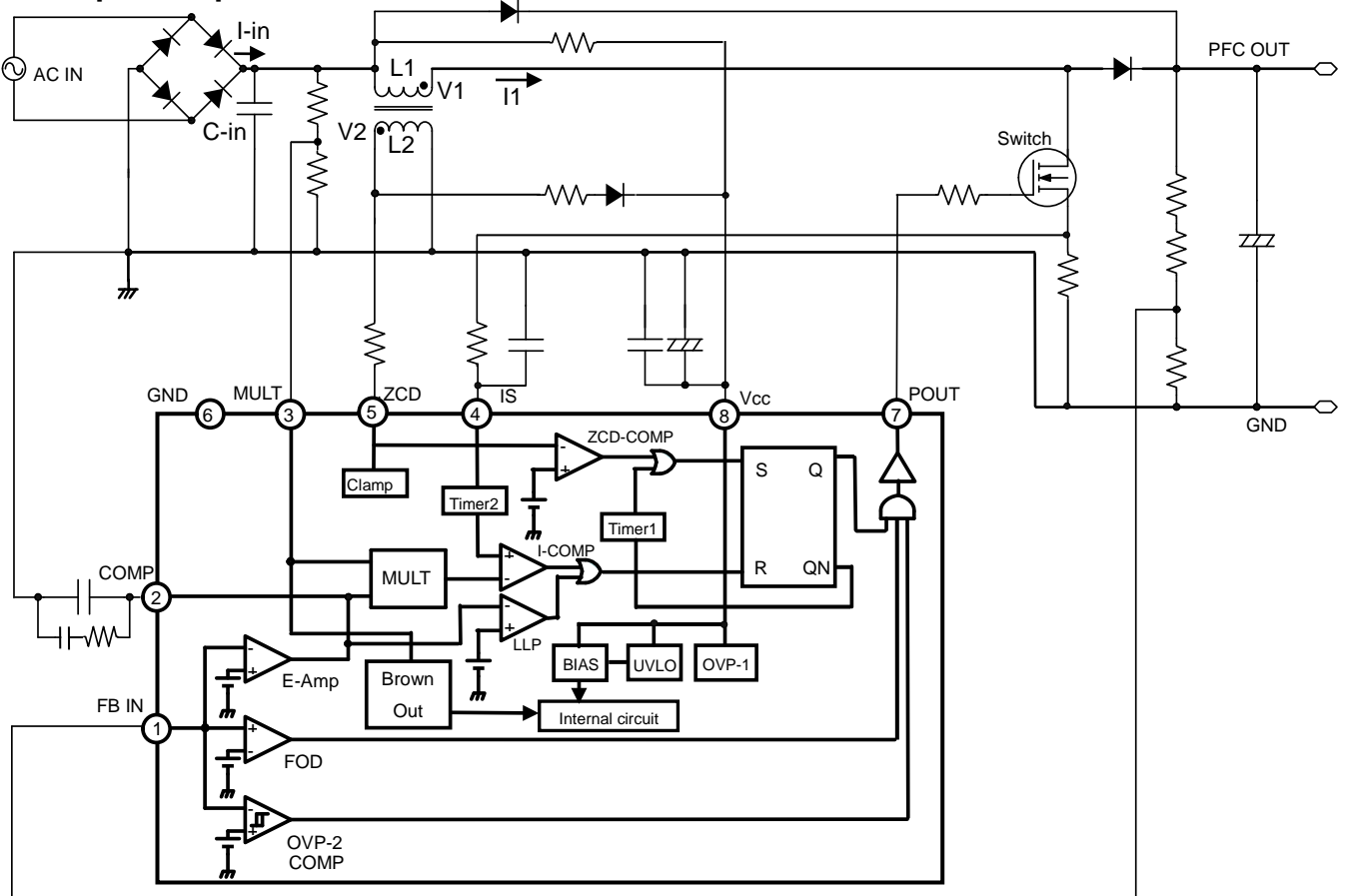
## Electrical Characteristics (unless otherwise specified, V<sub>cc</sub> = 15V, T<sub>a</sub> = 25°C)

Characteristics	Symbol	Remarks	Min.	Typ.	Max.	Unit	
Supply voltage range	V <sub>cc</sub>	-	10	15	25	V	
Current consumption	I <sub>cc</sub>	75 kHz, 1000 pF	—	4	6.5	mA	
Startup current	I <sub>start</sub>	At startup	—	72.5	99	μA	
Output pulse voltage	V <sub>OH</sub>	Output load current: 100 mA	V <sub>cc</sub> -2.0	—	—	V	
	V <sub>OL</sub>	Output load current: 100 mA	—	—	0.4		
Output pulse rise time	T <sub>RPF</sub>	Load: 10 Ω, 1000 pF	—	25	50	ns	
Output pulse fall time	T <sub>S PF</sub>	Load: 10 Ω, 1000 pF	—	10	30	ns	
Input OVP voltage	V <sub>OVP-1</sub>	Self-limiting	25	27.5	31.5	V	
Output OVP voltage	V <sub>OVP-2</sub>	Threshold voltage (disables POUT)	V <sub>err</sub> +0.12	V <sub>err</sub> +0.18	V <sub>err</sub> +0.24	V	
		Recovery threshold	V <sub>err</sub> -0.05	V <sub>err</sub>	V <sub>err</sub> +0.05	V	
FOD trip threshold voltage	V <sub>FOD</sub>	Threshold voltage (disables POUT)	0.20	0.25	0.30	V	
		Hysteresis	180	250	300	mV	
UVLO trip threshold voltage	V <sub>UVLO</sub>	Shutdown threshold	8.8	9.5	10.2	V	
		Recovery threshold	11.5	12	12.5		
ZCD trip threshold voltage	V <sub>ZCD</sub>	Negative-going threshold voltage	1.2	1.4	1.6	V	
		Hysteresis	150	300	400	mV	
ZCD clamp voltage	V <sub>ZCDP</sub>	Upper limit: 3 mA	4	5.8	6.3	V	
		Lower limit: -3 mA	0.15	0.5	0.9		
E-Amp reference voltage	V <sub>err</sub>	-	2.46	2.51	2.56	V	
E-Amp mutual conductance	g <sub>m</sub>	-	55	90	135	μS	
Maximum E-Amp current	I <sub>e source</sub>	Source	—	-1	—	mA	
	I <sub>e sink</sub>	Sink	—	1	—	mA	
LLP trip threshold voltage	V <sub>LLP</sub>	Output voltage compensation under light-load conditions	1.8	1.9	2.0	V	
IS pin reference voltage	V <sub>is</sub>	Upper limit of the IS reference voltage	SOP8-P-225-1.27	1.55	1.7	1.9	V
			P-SOP8-0406-1.27-001	1.64	1.7	1.8	V
IS rise time	t <sub>i</sub>	Including the RC time constant for noise filtering	210	350	550	ns	
Restart time	t <sub>res</sub>	Timer1	60	200	400	μs	
FB IN input current	I <sub>FB IN</sub>	FB IN = Open, sink current	-1	—	1	μA	
FOD response time	t <sub>FOD</sub>	-	—	—	1.5	μs	
Output OVP response time	t <sub>OVP-2</sub>	-	—	—	1.5	μs	
Quick startup voltage	V <sub>qu</sub>	Upper	2.55	2.65	2.80	V	
	V <sub>qL</sub>	Lower	2.1	2.2	2.3	V	
MULT input current	I <sub>MULT</sub>	-	-0.1	—	0.1	μA	
MULT gain	G <sub>MULT</sub>	G <sub>MULT</sub> × (COMP - 2.5) × MULT = IS COMP = 3.5 V MULT = 2 V - 1 V	0.35	0.5	0.65	—	
MULT input linear operation range	V <sub>LM</sub>	Maximum MULT input voltage(Lower limit: 0V)	3.0	3.5	—	V	
	V <sub>LC</sub>	Maximum COMP input voltage (Lower limit: V <sub>err</sub> )	3.5	4.0	—	V	
Brown out threshold voltage	V <sub>b</sub>	Positive-going threshold voltage (starts the IC)	0.71	0.75	0.79	V	
		Hysteresis	0.145	0.2	0.275	V	
Brown out turn-on delay	t <sub>b</sub>	Timer3	50	100	200	ms	

Designed values are indicated in following table, these are not tested at the shipping.

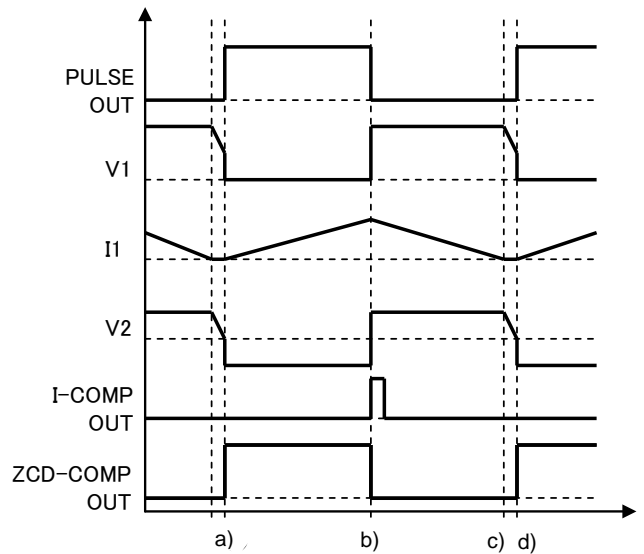
Maximum POUT current	I <sub>d source</sub>	Source (Reference value)	—	0.5	—	A
	I <sub>d sink</sub>	Sink (Reference value)	—	1.0	—	A
RC time constant for noise filtering	τ <sub>IS</sub>	Timer2, 40 kΩ / 5 pF (Reference value)	—	200	—	ns
Thermal shutdown threshold	TSD	Threshold temperature (Reference value)	150	175	—	°C
		Hysteresis (Reference value)	—	25	—	°C

Principle of Operation



(1) Boost Converter Operation

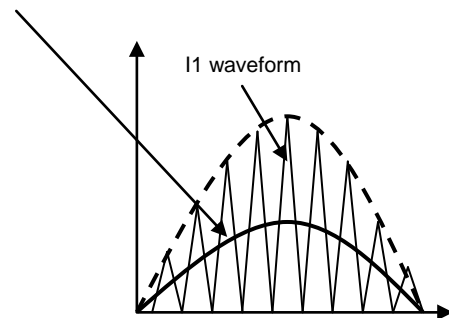
- a) Switch: ON → The L1 current increases.
- b) The L1 current reaches the I-COMP reference current.  
→ RS flip-flop is reset.  
→ POUT toggles.  
→ Switch goes off.  
→ V1 toggles High. → V2 toggles High.
- c) The L1 current decreases to zero.  
→ The V1 and V2 voltages decrease rapidly.
- d) The V2 voltage falls below the ZCD-COMP reference voltage (1.4 V).  
→ ZCD-COMP goes High.  
→ RS flip-flop is set. → Switch goes on (Back to step "a".)



I-in waveform: Ripple-current filtering using a capacitor C-in

(2) Power Factor Correction (Critical Conduction Mode)

- a) Step 2 causes the I-COMP reference current signal to form a sinusoidal waveform.
- b) An envelope of the L1 current that flows upon resetting the RS flip-flop to turn the Switch off forms a sinusoidal waveform.



Waveforms of I-in and I1

## Functional Description

### (1) Error Amplifier (E-Amp)

This is an error amplifier for regulating the output voltage to be constant. The TB6819AFG internally generates a reference voltage of 2.51 V (typ.).

If the E-Amp output includes the harmonics twice as large as the AC input frequency, the E-Amp system becomes unstable. To avoid this, a filter with a cut-off frequency ( $f_c$ ) of about 20 Hz should be externally connected to the E-Amp output for eliminating harmonics.

### (2) DC Input Overvoltage Protection (OVP-1)

This circuit protects the internal circuit from a sudden rise of the  $V_{cc}$  voltage in any event. The OVP-1 incorporates a 27.5V (typ.) voltage limiter.

### (3) PFC Output Overvoltage Protection (OVP-2)

This circuit forces the POUT output to Low if the FB IN voltage exceeds 2.69 V (typ.) due to the PFC voltage rise in any event. The POUT output will be enabled again when the FB IN voltage falls below 2.51 V (typ.).

### (4) Under Voltage Lockout (UVLO)

This circuit disables the internal circuit if the  $V_{cc}$  voltage falls below 9.5 V (typ.). Once the internal circuit is disabled, it will then be enabled when  $V_{cc}$  reaches 12 V (typ.).

### (5) Feedback-Loop Open Detector (FOD)

The POUT output is forced to Low if the FB IN voltage falls below 0.25 V (typ.) because of error conditions such as a feedback-loop open. The POUT output will be enabled again when the FB IN voltage reaches 0.5 V (typ.).

### (6) Thermal Shutdown (TSD)

This circuit disables the internal circuit if the chip temperature exceeds 175°C (typ.). The internal circuit will be enabled again when the chip temperature falls below 150°C (typ.).

### (7) Light-Load Power Control (LLP)

This function prevents the PFC output voltage from getting too high during no-load and light-load operations. If an offset voltage is present at the multiplier output, the PFC output voltage might increase abnormally. To avoid this, this feature resets the RS flip-flop if the E-Amp output falls below 1.9 V (typ.).

### (8) Restart Timer (Timer1)

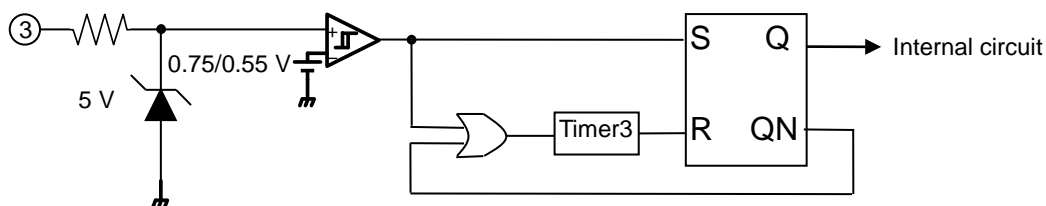
This is a restart timer. While the TB6819AFG is running, if the inductor current does not reach zero for 200  $\mu$ s (typ.), the Timer1 output sets the RS flip-flop and restarts the switching.

### (9) Noise Filtering (Timer2)

The TB6819AFG has a filter for filtering pulse noises on the current detect pin (IS pin). Timer2 consists of a 40 k $\Omega$  resistor and a 5 pF capacitor.

### (10) Brown out Protection

Brown out protection disables the internal circuit if AC input voltage falls below the predetermined value. This protection circuit operates separately from the other internal circuits and this feature overrides any other features. At start-up, the RS flip-flop is in the reset state disabling the internal circuit. When the voltage applied to the MULT pin reaches 0.75 V (typ.), the RS flip-flop is set to enable the internal circuit. Timer3 is programmed to start when a logical-OR result of the operation comparator output and the QN output of the RS flip-flop becomes Low. If the logical-OR result is continuously kept Low for 100ms, Timer3 generates a reset pulse for resetting the RS flip-flop. That is, if the MULT voltage falls below 0.55 V and remains below 0.75V for 100ms while the RS flip-flop is set (QN = Low), Timer3 resets the RS flip-flop and puts the TB6819AFG into Standby mode.

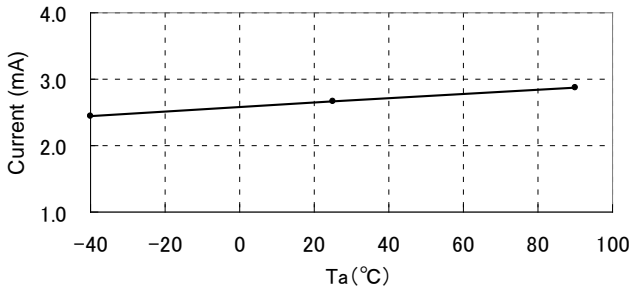


### (11) I-COMP

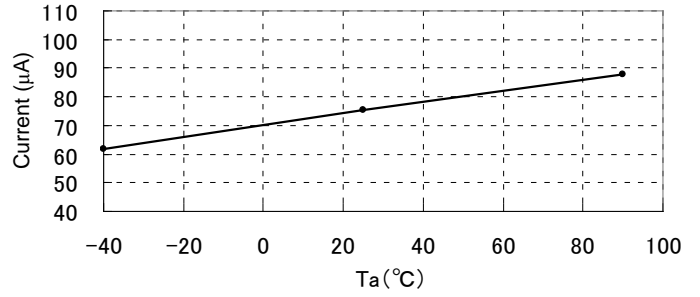
Outputs a reset signal RS-FF by typing what was converted to a voltage source current with a resistor of the MOSFET, compared to the output of the MULT. During this operation, Timer2 filters noise signals having short-pulse durations, such as switching noises. If multiplier output voltage is too high, the RS flip-flop will fail to reset. To avoid this, the upper limit of the IS comparator reference voltage is clamped to 1.7 V.

Typical Performance Curves

Current Consumption vs. Temperature

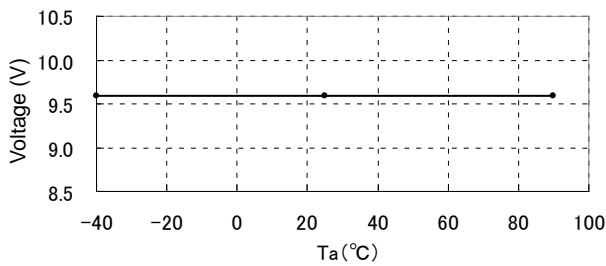


Start up Current Consumption vs. Temperature

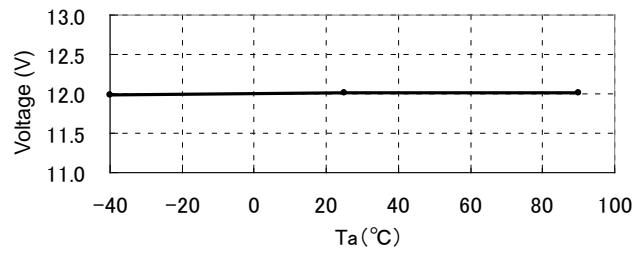


UVLO vs. Temperature

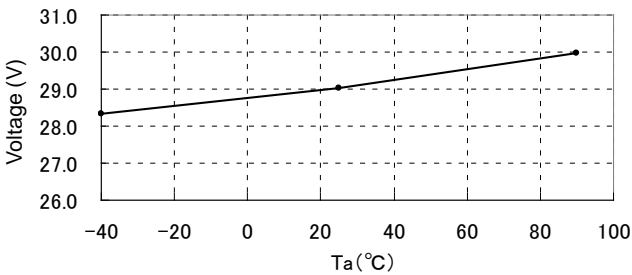
Shut down



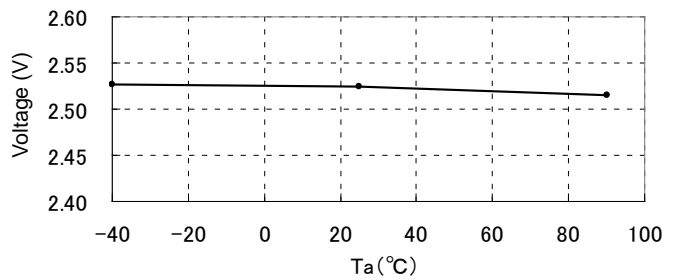
Start up



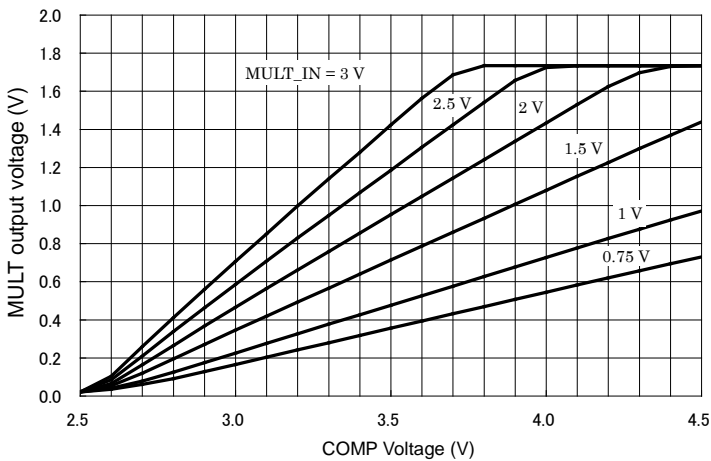
OVP-1 vs. Temperature



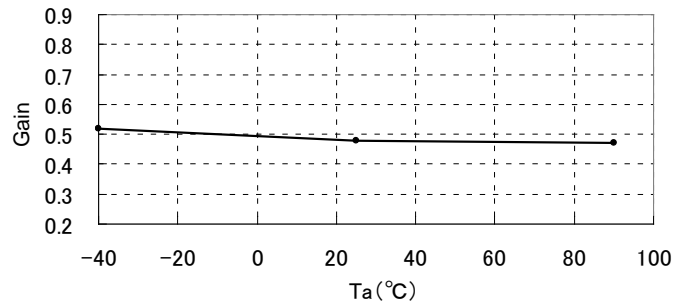
Error Amplifier Reference Voltage vs. Temperature



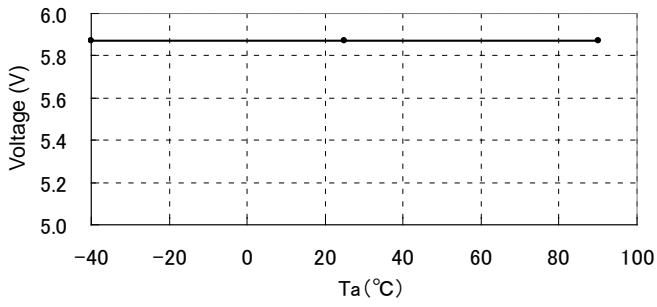
Multiplier Input-Output Characteristics (Ta = 25°C)



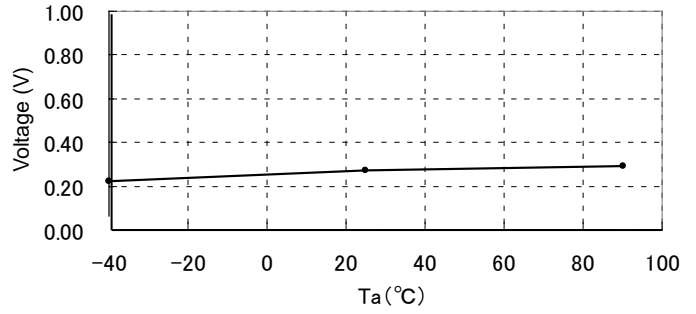
Multiplier Gain vs. Temperature



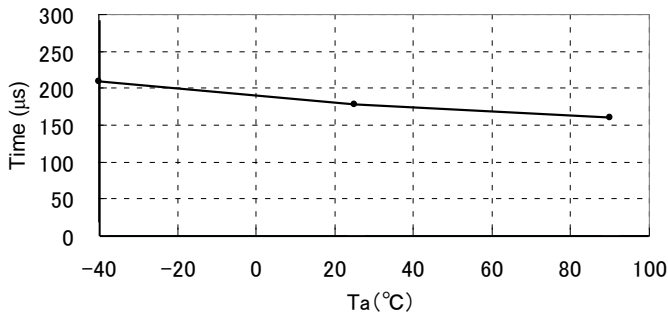
ZCD Voltage Clamp vs. Temperature  
Upper side



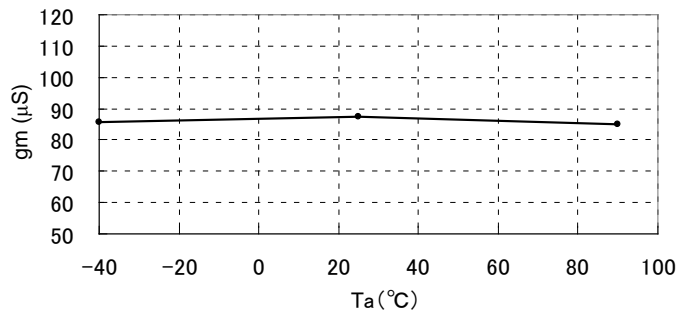
Lower side



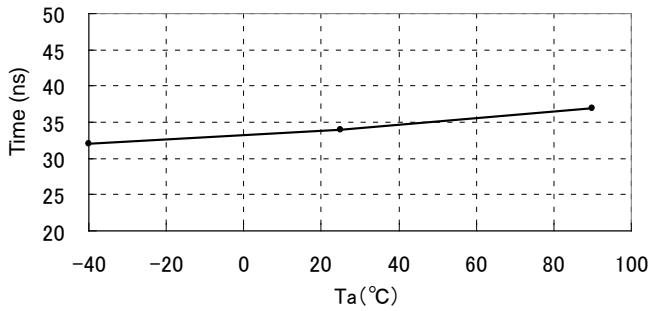
Timer1 Restart Time vs. Temperature



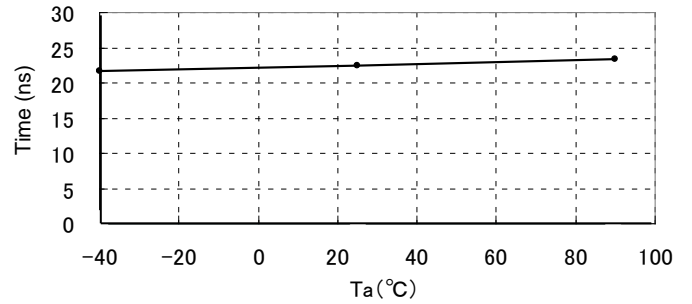
Error Amplifier Conductance vs. Temperature



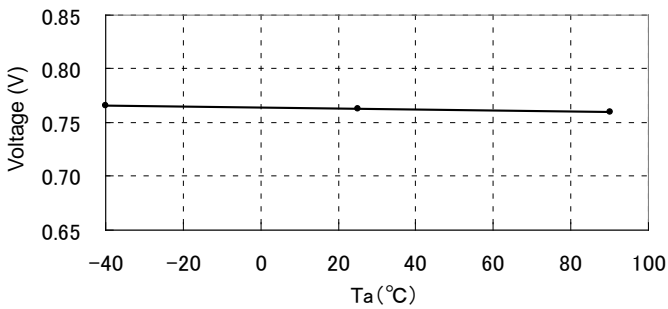
Gate-Drive Output Pulse on time vs. Temperature



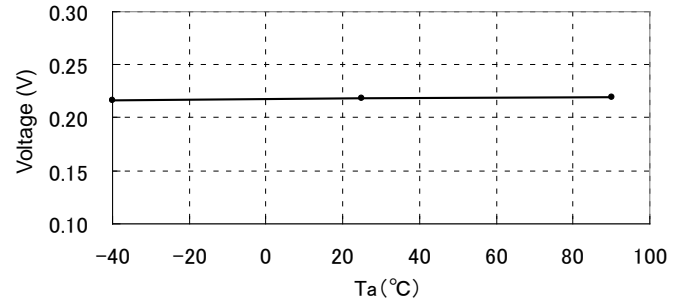
Gate-Drive Output Pulse off time vs. Temperature



Brown out threshold Voltage vs. Temperature  
Start up

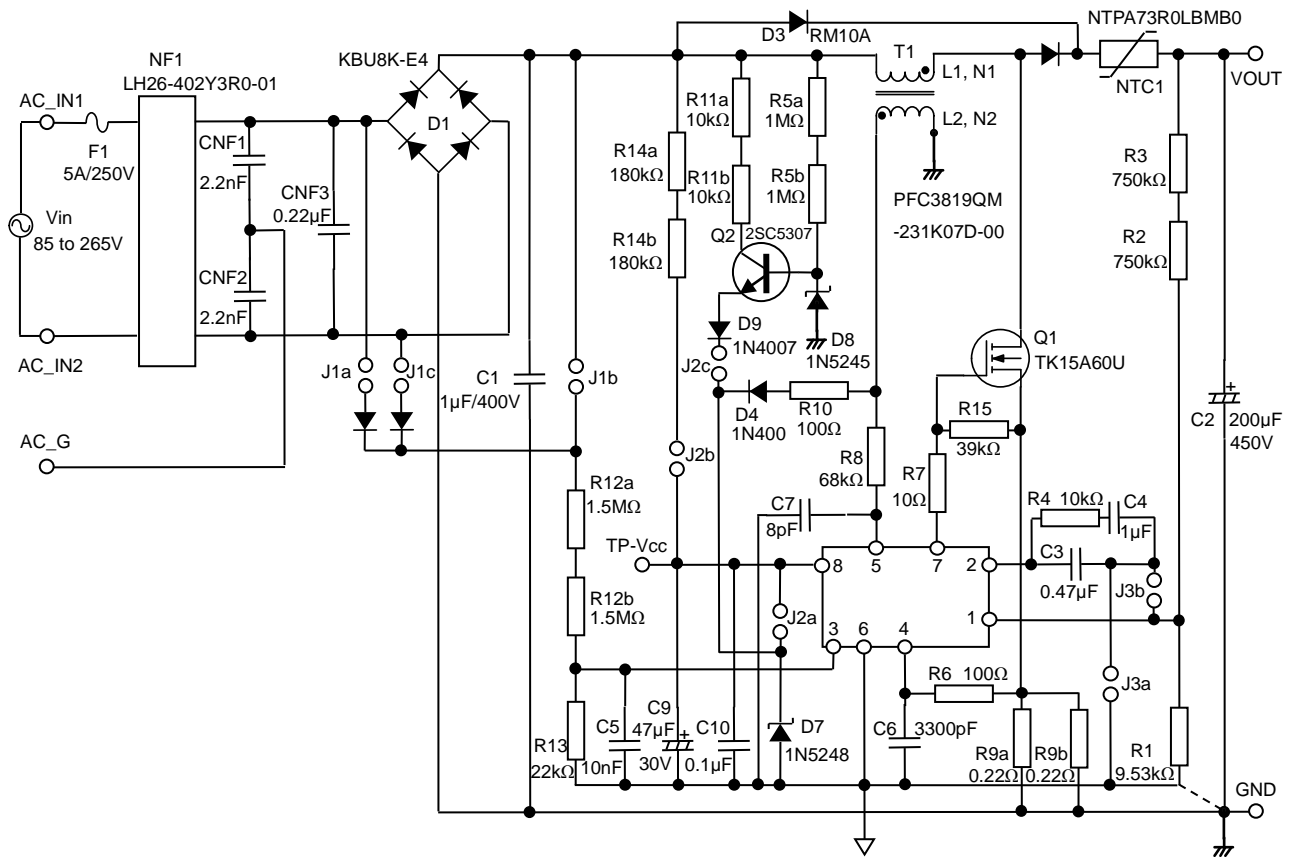


Hysteresis (shutdown) Voltage vs. Temperature





Applications Information



This chapter provides the minimum description including equations and constants as a guide to understand the TB6819AFG demonstration board. These equations and constants should be optimized according to the specifications of actual applications. Please adjust them according to the specifications to achieve required operation. At the same time, make sure that no problem occurs in the various tests, such as end-product, environmental and durability tests. This application circuit is for 400 V - 200 W output.

(1) L1 Inductance

Since the TB6819AFG operates in CRM mode, the switching frequency  $f_s$  (Hz) depends on the L1 inductance and input/output conditions.

$$L1 = \frac{(Vo - \sqrt{2} \times Vin (min)) \times \eta \times Vin (min)^2}{2 \times 100 \times fs \times Vo \times Po}$$

Where  $Vin (min)$  (V) is the minimum AC input voltage (effective value),  $Vo$  (V) is the output DC voltage,  $Po$  (W) is the output power and  $\eta$  (%) is the power efficiency.

The  $f_s$  value should be within the range between the value sufficiently higher than the audible frequency limit of 20 kHz and 150 kHz, above which an EMI problem can occur. In this application,  $f_s$  is targeted to be 50 kHz. The power efficiency  $\eta$  is assumed to be about 90%, which is not greatly different from that of actual use. The AC input voltage range is assumed to be between 85V and 265 V. Thus, the minimum value  $Vin (min)$  is expected to be 85 V, and the output power  $Vo$  is 400 V. Given that  $Po = 200$  W, L1 can be calculated as 227 µH. In this application, a commercially available inductor of 230 µH is used.

(2) Auxiliary Winding L2

The auxiliary winding L2 is used to detect the zero inductor current condition of the inductor L1. L2 is also used for delivering a supply voltage to the TB6819AFG.

Since the maximum (positive-going) reference voltage for the ZCD comparator is 1.9 V, N1/N2 should meet the following condition to properly perform zero current detection using the auxiliary winding L2:

$$N1 / N2 < (Vo - \sqrt{2} \times Vin (max)) / 1.9 = 14$$

Where N1 is the number of winding turns of L1, N2 is that of L2 and  $Vin (max)$  (V) is the maximum AC input voltage (265 V).

To ensure that the design requirements are met, N1/N2 should preferably be about 10 to allow for design margins.



Considering that the IC startup threshold voltages of the BOP function = 0.75V, the rated voltage of the IC = 5 V and the MULT linear input voltage range of the multiplier = 0 to 3.0 V, the R12a, R12b and R13 resistor values should satisfy the following condition:

$$0.75 \text{ V} < 85 \text{ V} \times \sqrt{2} \times R13 / (R12a + R12b + R13) (= 0.875 \text{ V})$$

$$265 \text{ V} \times \sqrt{2} \times R13 / (R12a + R12b + R13) (= 2.728 \text{ V}) < 3.0 \text{ V} (5 \text{ V})$$

In this application, resistors of the following values are used: R12a = R12b = 1.5 MΩ, R13 = 22 kΩ.

**(4) Output Voltage Feedback Circuit**

When the DC output voltage is resistively divided and applied to the error amplifier, the R1, R2 and R3 resistor values should satisfy the following equation:

$$Vo \times R1 / (R1 + R2 + R3) = 2.51 \text{ V}$$

Where Vo (V) is the output voltage and the error amplifier reference voltage = 2.51 V.

Substituting Vo = 400 V, R2 = R3 = 750 kΩ provides R1 = 9.47 kΩ. In this application however, a resistor of 9.53 kΩ, which is available in the E96 series, is used as R1.

**(5) Current Detection Circuit**

Iq1, which is the current that flows through an external transistor Q1, is converted into voltage by using a current detection resistor R9, then applied to the IS pin (pin 4). The peak voltage of the IS comparator reference voltage while voltage of Vin (min) is applied is Visp (min), which can be calculated as:

$$0.65 \times Vin (\text{min}) \times \sqrt{2} \times R13 / (R12a + R12b + R13) = 0.57 \text{ V}$$

The maximum current of the Q1 current, Iq1 (max) is limited to Visp (min) / R9.

$$Iq1 (\text{max}) = Visp (\text{min}) / R9 = 0.57 / R9$$

This current should allow the output power Po to be large enough. Therefore, the following equation should be satisfied:

$$Po \times 100 / \eta = Vin (\text{min}) \times \sqrt{2} \times Iq1 (\text{rms})$$

where Iq1 (rms) is the effective value of Iq1.

When Po = 200 W, Vin (min) = 85 V, the power efficiency η = 90%, and also Iq1 (max) = 2 × √2 × Iq1 (rms) considering the CRM current waveform, the above equation can be rewritten as:

$$Iq1 (\text{max}) = Po \times 100 \times 2 \times \sqrt{2} / (\eta \times Vin (\text{min}) \times \sqrt{2}) = 5.23 \text{ A}$$

$$R9 = 0.57 / Iq1 (\text{max}) = 0.11 \Omega$$

In this application, resistors of 0.22 Ω, R9a and R9b, are connected in parallel.

**(6) Zero-Current Detection Circuit**

The auxiliary winding L2 is connected to the ZCD pin. At this time, the current through L2 is limited to 3mA, which is the rated current at the ZCD pin, or less by using the current limiting resistor R8. The following relationship should be satisfied depending on whether the external FET is on or off:

$$\text{FET = On: } R8 > Vin (\text{max}) \times \sqrt{2} \times N2 / N1 / 3 \text{ mA} = 12.5 \text{ k}\Omega$$

$$\text{FET = Off: } R8 > Vo \times N2 / N1 / 3\text{mA} = 13.3 \text{ k}\Omega$$

A resistor of 68 kΩ is used in this application for limiting the current to 1/5 of the rated current.

**(7) Output Capacitor**

The output capacitance C2 is determined so that the PFC output ripple voltage does not exceed the output overvoltage detection threshold. Since the output voltage ripple is derived from a full-wave rectified input voltage waveform, it contains frequency components of twice the AC input frequency. When Vr is the effective value of ripple voltage, the following equation can be approximately formulated:

$$C2 = Po / (2 \times 2\pi f \times Vr \times Vo)$$

Considering the condition of √2Vr ≤ Vo × (VOVP-2 / Verr-1), the above equation can be rewritten as:

$$C2 \geq Po / (\sqrt{2} \times 2\pi f \times Vo^2 \times (VOVP-2 / Verr-1))$$

Substituting f = 50 Hz, VOVP-2 = 2.63 V (min) and Verr = 2.46 V (min), the following can be obtained:

$$C2 \geq 41 \mu\text{F}$$

A capacitor of 200 μF is used as C2 in this application.

**(8) Input Capacitor**

An input capacitor C1 for the PFC should be capable of supplying energy stored in the L1 inductor while the FET is on. Since the on/off duty cycle of the FET is about 50%, the C1 capacitor should be temporarily able to supply twice the current. Also, a current reaches its maximum when the AC input voltage is the minimum. Thus, the following relationship should be satisfied:

$$2 \times 1 / 2 \times L1 \times (Po / Vin (\text{min}))^2 \leq 1 / 2 \times C1 \times Vin (\text{min})^2$$

, which can be rewritten as:

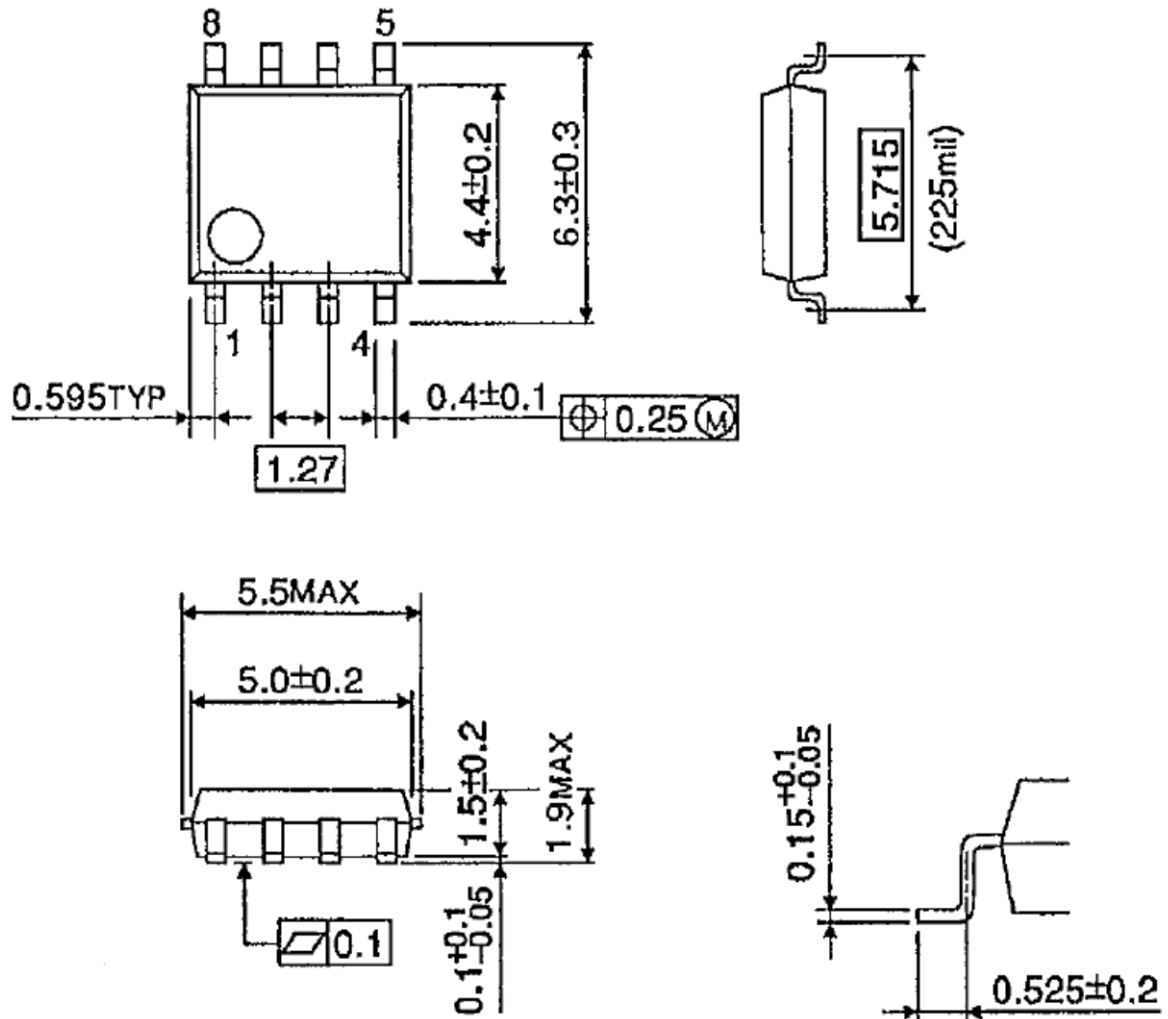
$$C1 \geq 2 \times L1 \times Po^2 / Vin (\text{min})^4 = 0.35 \mu\text{F}$$

A capacitor of 1μF is used as C1 in this application.

## Package Dimensions

1. SOP8-P-225-1.27  
TB6819AFG (O\*)

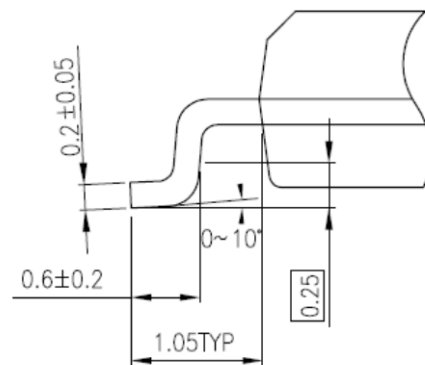
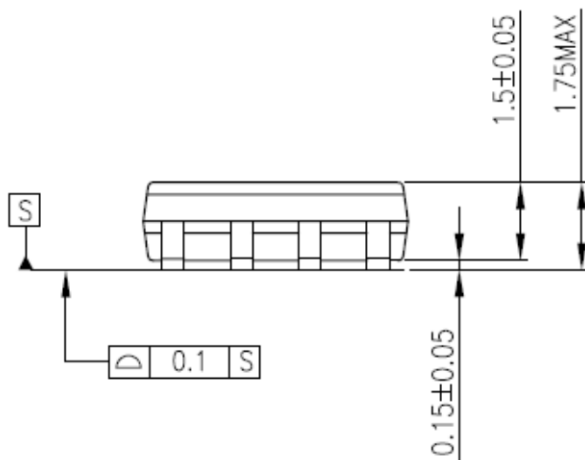
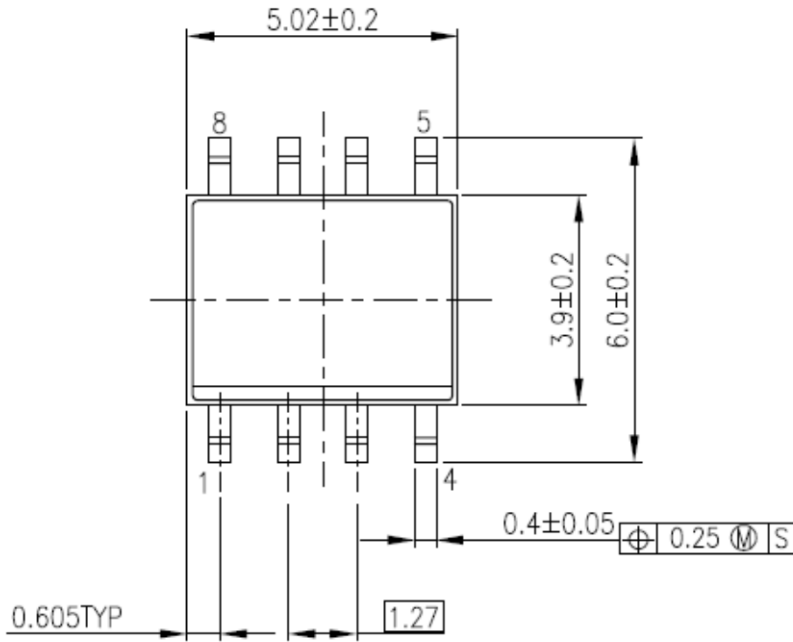
Unit: mm



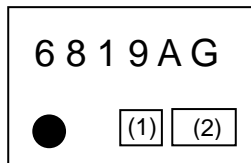
Weight: 0.1 g (typ.)

**2. P-SOP8-0406-1.27-001  
TB6819AFG (Z\*)**

Unit: mm



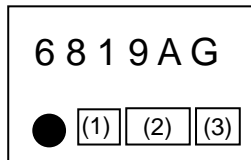
Weight: 0.1 g (typ.)

**Marking****1. SOP8-P-225-1.27  
TB6819AFG (O\*)**

Lot Code

(1)Production year mark (One character shown in the digit at the end of production year)

(2)Production week mark (Two characters shown in the production week, up to week 53)

**2. P-SOP8-0406-1.27-001  
TB6819AFG (Z\*)**

Lot Code

(1)Production year mark (One character shown in the digit at the end of production year)

(2)Production week mark (Two characters shown in the production week, up to week 53)

(3)Production lot mark (One character shown in 1-9, and A-Z except for the "I", "O", "Q")

## RESTRICTIONS ON PRODUCT USE

- Toshiba Corporation, and its subsidiaries and affiliates (collectively "TOSHIBA"), reserve the right to make changes to the information in this document, and related hardware, software and systems (collectively "Product") without notice.
- This document and any information herein may not be reproduced without prior written permission from TOSHIBA. Even with TOSHIBA's written permission, reproduction is permissible only if reproduction is without alteration/omission.
- Though TOSHIBA works continually to improve Product's quality and reliability, Product can malfunction or fail. Customers are responsible for complying with safety standards and for providing adequate designs and safeguards for their hardware, software and systems which minimize risk and avoid situations in which a malfunction or failure of Product could cause loss of human life, bodily injury or damage to property, including data loss or corruption. Before customers use the Product, create designs including the Product, or incorporate the Product into their own applications, customers must also refer to and comply with (a) the latest versions of all relevant TOSHIBA information, including without limitation, this document, the specifications, the data sheets and application notes for Product and the precautions and conditions set forth in the "TOSHIBA Semiconductor Reliability Handbook" and (b) the instructions for the application with which the Product will be used with or for. Customers are solely responsible for all aspects of their own product design or applications, including but not limited to (a) determining the appropriateness of the use of this Product in such design or applications; (b) evaluating and determining the applicability of any information contained in this document, or in charts, diagrams, programs, algorithms, sample application circuits, or any other referenced documents; and (c) validating all operating parameters for such designs and applications. **TOSHIBA ASSUMES NO LIABILITY FOR CUSTOMERS' PRODUCT DESIGN OR APPLICATIONS.**
- **PRODUCT IS NEITHER INTENDED NOR WARRANTED FOR USE IN EQUIPMENTS OR SYSTEMS THAT REQUIRE EXTRAORDINARILY HIGH LEVELS OF QUALITY AND/OR RELIABILITY, AND/OR A MALFUNCTION OR FAILURE OF WHICH MAY CAUSE LOSS OF HUMAN LIFE, BODILY INJURY, SERIOUS PROPERTY DAMAGE AND/OR SERIOUS PUBLIC IMPACT ("UNINTENDED USE").** Except for specific applications as expressly stated in this document, Unintended Use includes, without limitation, equipment used in nuclear facilities, equipment used in the aerospace industry, medical equipment, equipment used for automobiles, trains, ships and other transportation, traffic signaling equipment, equipment used to control combustions or explosions, safety devices, elevators and escalators, devices related to electric power, and equipment used in finance-related fields. **IF YOU USE PRODUCT FOR UNINTENDED USE, TOSHIBA ASSUMES NO LIABILITY FOR PRODUCT.** For details, please contact your TOSHIBA sales representative.
- Do not disassemble, analyze, reverse-engineer, alter, modify, translate or copy Product, whether in whole or in part.
- Product shall not be used for or incorporated into any products or systems whose manufacture, use, or sale is prohibited under any applicable laws or regulations.
- The information contained herein is presented only as guidance for Product use. No responsibility is assumed by TOSHIBA for any infringement of patents or any other intellectual property rights of third parties that may result from the use of Product. No license to any intellectual property right is granted by this document, whether express or implied, by estoppel or otherwise.
- **ABSENT A WRITTEN SIGNED AGREEMENT, EXCEPT AS PROVIDED IN THE RELEVANT TERMS AND CONDITIONS OF SALE FOR PRODUCT, AND TO THE MAXIMUM EXTENT ALLOWABLE BY LAW, TOSHIBA (1) ASSUMES NO LIABILITY WHATSOEVER, INCLUDING WITHOUT LIMITATION, INDIRECT, CONSEQUENTIAL, SPECIAL, OR INCIDENTAL DAMAGES OR LOSS, INCLUDING WITHOUT LIMITATION, LOSS OF PROFITS, LOSS OF OPPORTUNITIES, BUSINESS INTERRUPTION AND LOSS OF DATA, AND (2) DISCLAIMS ANY AND ALL EXPRESS OR IMPLIED WARRANTIES AND CONDITIONS RELATED TO SALE, USE OF PRODUCT, OR INFORMATION, INCLUDING WARRANTIES OR CONDITIONS OF MERCHANTABILITY, FITNESS FOR A PARTICULAR PURPOSE, ACCURACY OF INFORMATION, OR NONINFRINGEMENT.**
- Do not use or otherwise make available Product or related software or technology for any military purposes, including without limitation, for the design, development, use, stockpiling or manufacturing of nuclear, chemical, or biological weapons or missile technology products (mass destruction weapons). Product and related software and technology may be controlled under the applicable export laws and regulations including, without limitation, the Japanese Foreign Exchange and Foreign Trade Law and the U.S. Export Administration Regulations. Export and re-export of Product or related software or technology are strictly prohibited except in compliance with all applicable export laws and regulations.
- Please contact your TOSHIBA sales representative for details as to environmental matters such as the RoHS compatibility of Product. Please use Product in compliance with all applicable laws and regulations that regulate the inclusion or use of controlled substances, including without limitation, the EU RoHS Directive. **TOSHIBA ASSUMES NO LIABILITY FOR DAMAGES OR LOSSES OCCURRING AS A RESULT OF NONCOMPLIANCE WITH APPLICABLE LAWS AND REGULATIONS.**