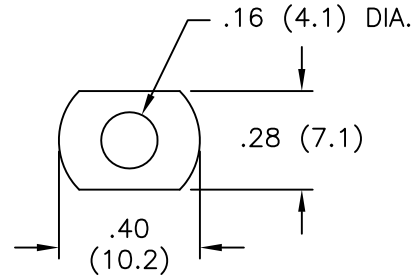
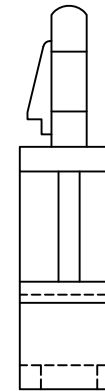
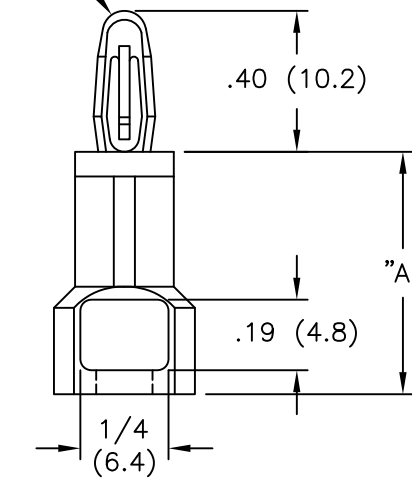


TO SNAP-LOCK IN A  $.156 \pm .003$   
 $(4.0 \pm 0.08)$  DIA. HOLE, IN A  
 $.062$  (1.6) THICK PANEL/BOARD



PART NO.	"A"
SRLCBS-6-01	3/8 (9.5)
SRLCBS-7-01	7/16 (11.1)
SRLCBS-8-01	1/2 (12.7)
SRLCBS-10-01	5/8 (15.9)
SRLCBS-12-01	3/4 (19.1)
SRLCBS-14-01	7/8 (22.2)
SRLCBS-16-01	1 (25.4)

USE RICHCO RIVET NO.	FOR CHASSIS THICKNESS
SR-4050	.026-.062 (0.7-1.6)
SR-4060	.062-.105 (1.5-2.7)
SR-4070	.105-.145 (2.7-3.7)
SR-4080	.145-.184 (3.7-4.7)
SR-4090	.184-.223 (4.7-5.7)
SR-4100	.223-.263 (5.7-6.7)
SR-4120	.282-.341 (7.2-8.7)

NOTES:

1. MATERIAL: NYLON 6/6 (RMS-01).  
 FLAME RETARDANT NYLON (RMS-19),  
 AVAILABLE BY SPECIAL ORDER ONLY.
2. COLOR: NATURAL.
3.  $.157$  TO  $.161$  (4.0 TO 4.1) DIA.  
 HOLE IN CHASSIS REQUIRED FOR  
 APPLICATION

TITLE: SNAP RIVET LOCKING CIRCUIT BOARD SUPPORT				DWG IN IN (MM)		FINAL		
E	SEE CO 200401 FOR CHANGES	SK 09.08.09	TOLERANCES UNLESS NOTED	FILE # SRLCBS	DWN: P.B.	APP:	PART # SEE TABLE	PRINT TYPE CA
D	SEE ECN #1253 FOR CHANGES	SK 11.29.06	.XX= $\pm .010$	MAT'L: SEE NOTES	DT: 05-03-94	DT:		
C	SEE ECN #1002 FOR CHANGES	SK 05.11.05	.XXX= $\pm .005$	RE: RICHCO, INC.	RICHCO INC.			
B	UPDATED NOTES AND CHANGED FILE NO.	SM 08.20.02	FRAC= $\pm 1/64$	PO BOX 804238, CHICAGO, 60680				
A	CONVERTED TO ACAD	PB 05.03.94	ANG= $\pm 1'$	(773) 539-4060				
REV	DESCRIPTION	ENGR DATE						