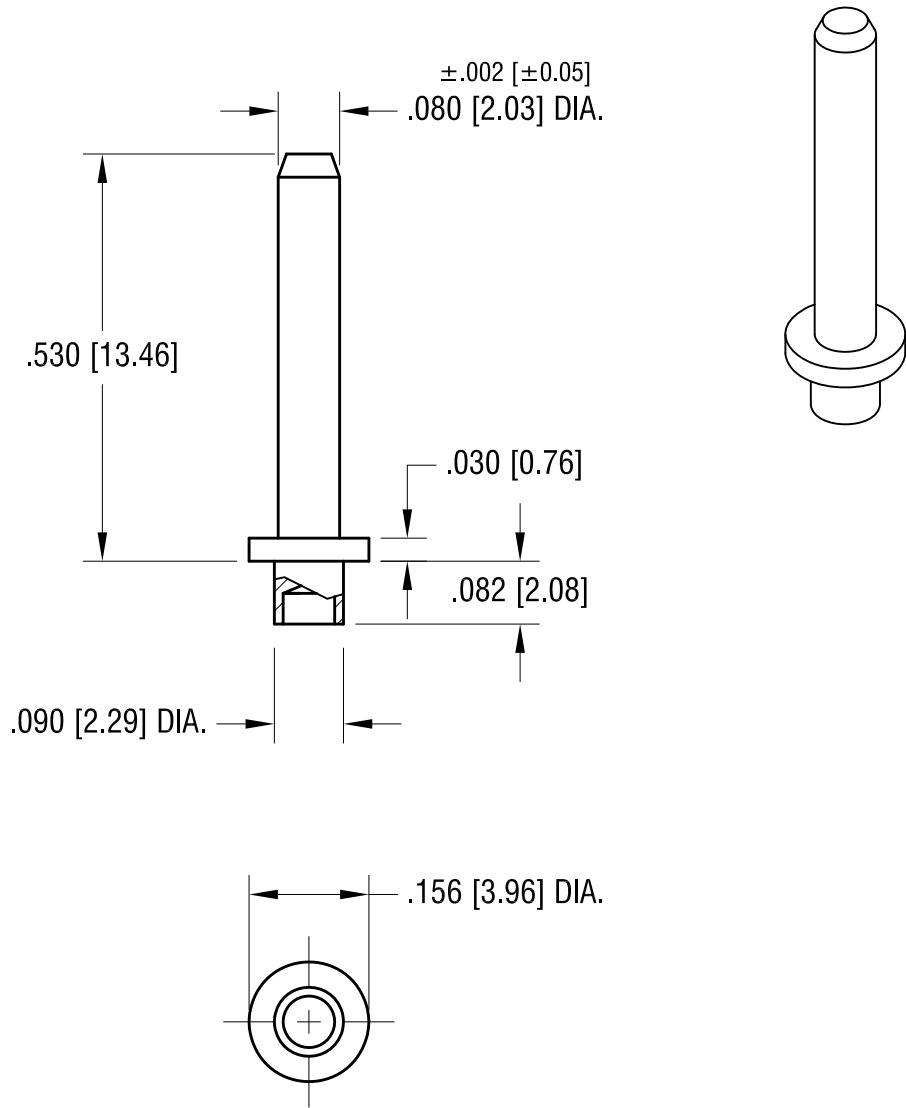


THIS DOCUMENT IS THE PROPERTY OF
KEYSTONE ELECTRONICS CORP. AND
SHALL NOT BE REPRODUCED, DISTRIBUTED
OR USED AS A BASIS FOR MANUFACTURE
WITHOUT PRIOR WRITTEN PERMISSION
FROM KEYSTONE ELECTRONICS CORP.



3.10.11	CHANGE AS PER ECN 11-035	B
4.16.08	CHANGE AS PER ECN 08-101	A
DATE	DESCRIPTION	REV.

KEYSTONE ELECTRONICS CORP.			
www.keyelco.com • ASTORIA, N.Y. 11105-2017 • Tel (718) 956-8900			
PART NAME		MICRO PIN, SWAGE MOUNT	
MATERIAL		BRASS	
FINISH	TIN PLATE	DRN BY	BOONE
		APP'D	LN
		DATE	2.22.07
		SCALE	4X
TOLERANCES	INCH [MM]	CODE	DWG NO.
DECIMAL	$\pm .005 [\pm 0.15]$	C	1365-2
ANGULAR	$\pm 1^\circ$		
UNLESS OTHERWISE SPECIFIED			