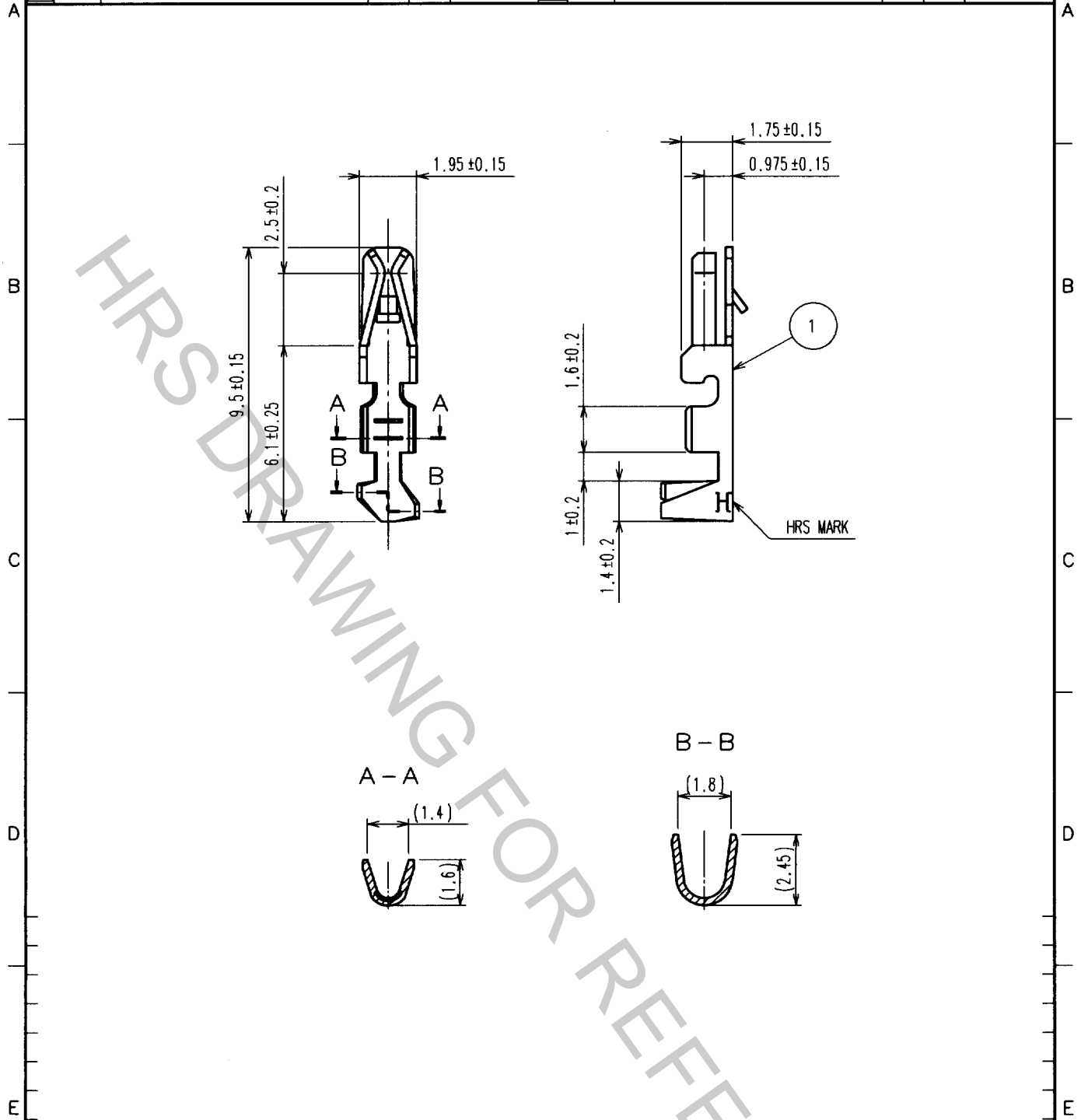


1		2			3			4		
COUNT	DESCRIPTION OF REVISIONS	BY	CHKD	DATE	COUNT	DESCRIPTION OF REVISIONS	BY	CHKD	DATE	
△					△					
△					△					
△					△					



NOTES 1. APPLICABLE CABLE : AWG24 TO 28

NO.	MATERIAL	FINISH, REMARKS
1	PHOSPHOR BRONZE	TIN PLATED

CODE NO. (OLD) CL	DRAWN J. NAKAMURA 01.05.16	DESIGNED Y. Inoue '01.05.16	CHECKED K. Akizama '01.5.17	APPROVED K. Katayama '01.5.17	RELEASED
----------------------	----------------------------------	-----------------------------------	-----------------------------------	-------------------------------------	----------

<p>SACLE 5 : 1</p> <p>UNITS mm</p>	DRAWING NO. EDC4-080531	PART NO. DF1B-2428SC
	<p>HRS HIROSE ELECTRIC CO., LTD.</p>	CODE NO. CL541-0679-4

TO