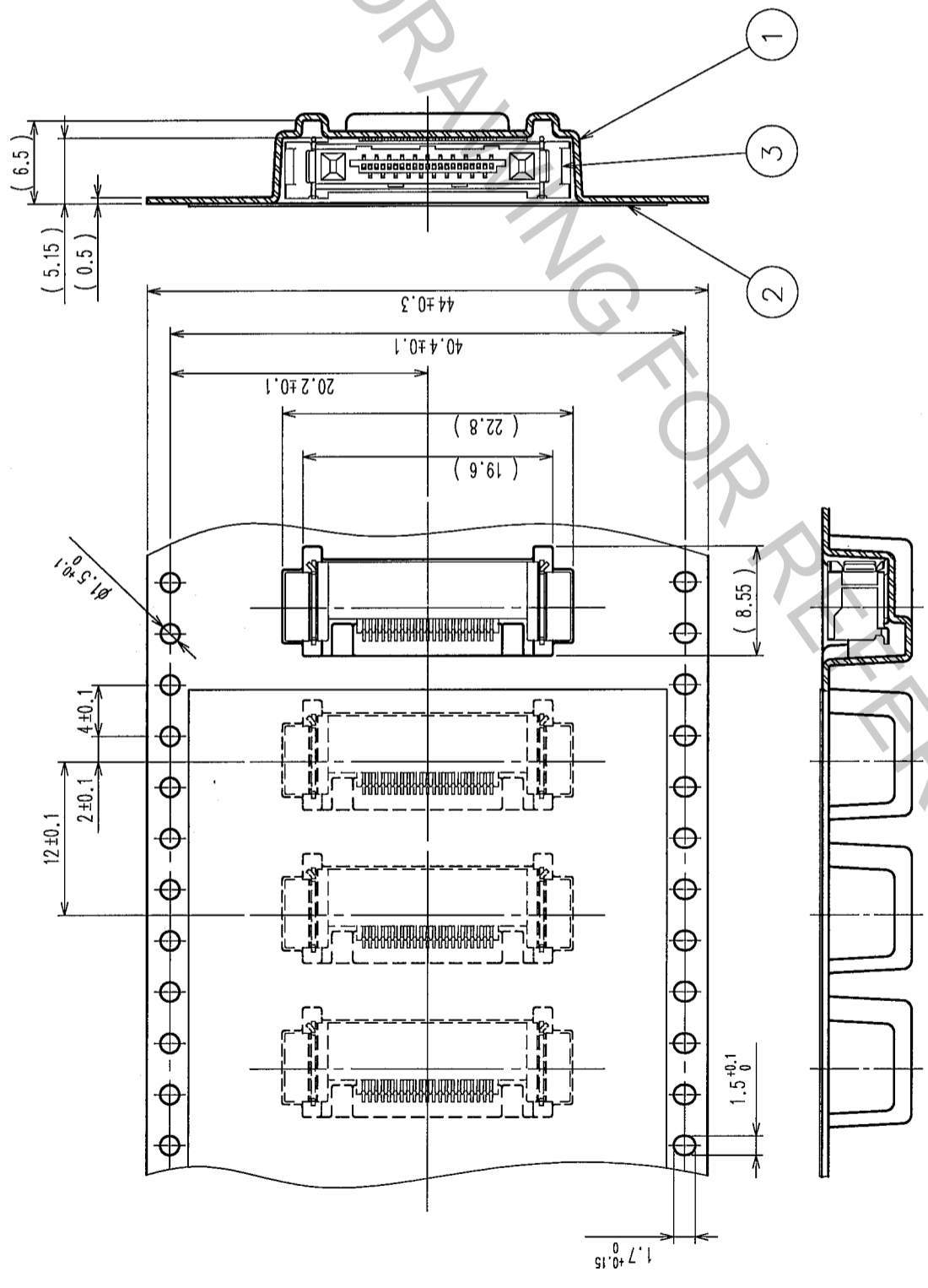


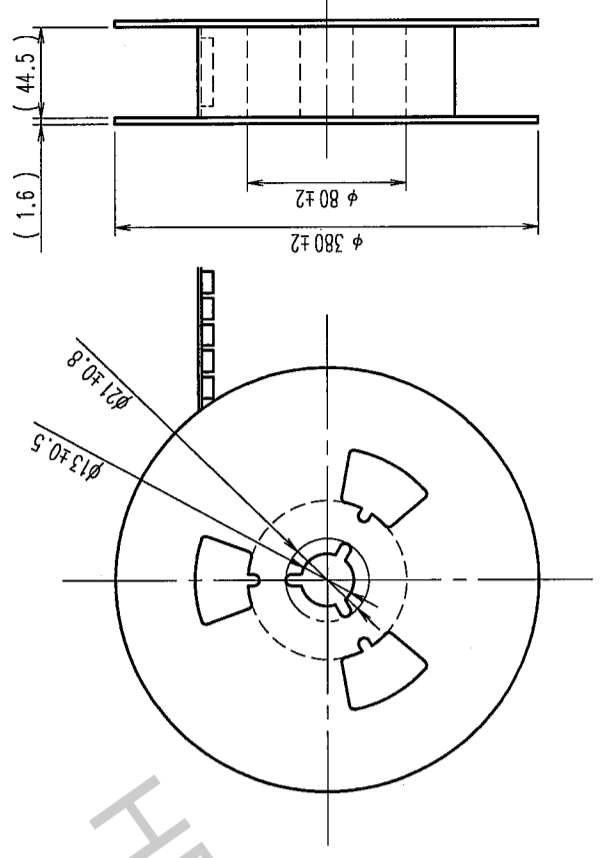


COUNT	DESCRIPTION OF REVISIONS	BY	CHKD	DATE	COUNT	DESCRIPTION OF REVISIONS	BY	CHKD	DATE
△					△				
△					△				
△					△				

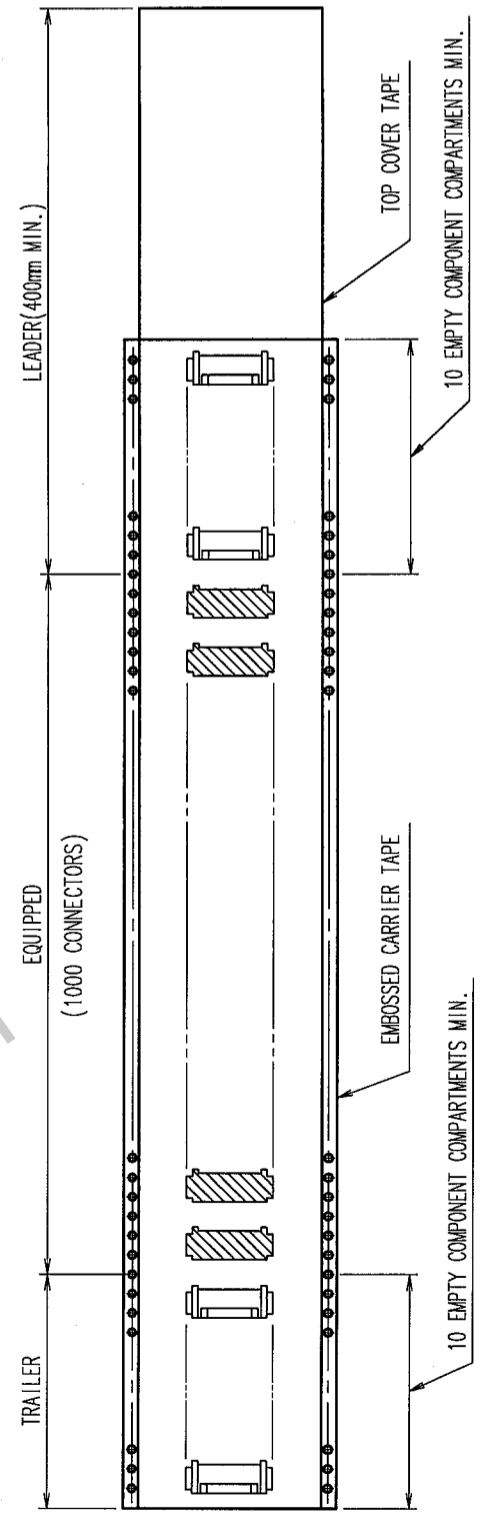
UNREELING DIRECTION  
↑



REEL DIMENSION (FREE)



NOTE 1. 1 REEL : 1000 CONNECTORS.



NO.	MATERIAL	FINISH, REMARKS	NO.	MATERIAL	FINISH, REMARKS
3				(CONNECTOR)	
2	POLYESTER			(TOP COVER TAPE)	
1	POLYSTYRENE			(EMBOSSED CARRIER TAPE)	

NO.	MATERIAL	FINISH, REMARKS	NO.	MATERIAL	FINISH, REMARKS
3				(CONNECTOR)	
2	POLYESTER			(TOP COVER TAPE)	
1	POLYSTYRENE			(EMBOSSED CARRIER TAPE)	

DRAWN	T.NODA	DESIGNED	T. Noda	CHECKED	H. Yamaguchi	APPROVED	H. Okamura	RELEASED	
DATE	'06.05.12	DATE	'06.05.12	DATE	'06.05.12	DATE	'06.05.12	DATE	'06.05.12

DRAWING NO.	EDC3-155941	PART NO.	FX15M-21S-0.5SH
SCALE	2 : 1	CODE NO.	CL575-2309-3
UNITS	mm		