



NOTES: UNLESS OTHERWISE SPECIFIED

- THIS COMPONENT CONFORMS TO UL60950. UL FILE NO. IS: E216117.

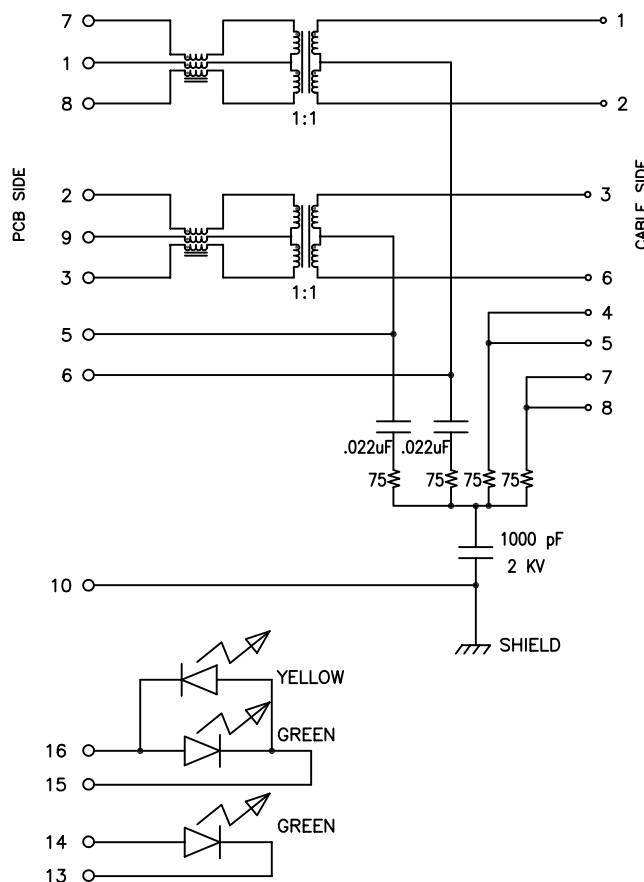
| | | |
|---|---|---|
|  | WARNING: THIS COMPONENT IS RECOGNIZED BY ONE OR MORE SAFETY AGENCIES SUCH AS UL, VDE, CSA AND/OR TUV. ALL ENGINEERING CHANGES MUST HAVE PRIOR APPROVAL BY THE DESIGN CENTER QUALITY DEPARTMENT FOR SAFETY AGENCY COMPLIANCE. | EDN APPROVAL: QA APPROVAL: DATE: |
| | | |
| | | |

- | | |
|---|---|
|  | NOTICE: THIS IS A RoHS COMPLIANT COMPONENT/PRODUCT. ALL ENGINEERING CHANGES MUST HAVE PRIOR APPROVAL BY THE DESIGN CENTER. |
| | RoHS |

- PLASTIC HOUSING: THERMOPLASTIC MATERIAL WITH FLAMMABILITY RATING UL 94V-0 OR BETTER.
- CONTACT BASE MATERIAL: PHOSPHOR BRONZE.
- CONTACTS UNDERPLATE: 30-50 MICROINCHES DUCTILE NICKEL.
- CONTACTS PLATING: 30 MICROINCHES GOLD PLATING.
- SOLDER TAIL PLATING MATERIAL: 200-500 MICROINCHES 100% TIN, MATTE FINISH.
- METAL SHIELD: NICKEL PLATING ON COPPER ALLOY.

- JACK CAVITY CONFORMS TO FCC RULES AND REGULATIONS PART 68 SUBPART F.

- PCB PLATING: EG.
- SOLDERABILITY: CONFORMS TO ANSI/J-STD-002, IPC/EIA J-STD-003A.
- OPERATING TEMPERATURE: 0°C TO +70°C
- STORAGE TEMPERATURE: -20°C TO +125°C
- JEDEC MOISTURE: LEVEL 1.
- DIMENSIONS ARE IN INCHES [MILLIMETERS] WITH THE FOLLOWING TOLERANCES: [MILLIMETERS] ARE FOR REFERENCE ONLY.
 .XX= ±.02 [±0.5]
 .XXX= ±.010 [±0.25]



SCHMATIC

ELECTRICAL CHARACTERISTICS AT +25°C UNLESS OTHERWISE SPECIFIED (FOR REFERENCE ONLY. USED FOR CUSTOMER INFORMATION.)

| PARAMETER | SPECIFICATION | |
|--|--|---|
| OPERATING TEMP | 0°C-70°C | |
| URNS RATIO | 1 : 1 ±2% | |
| POLARITY | PER SCHEMATIC | |
| INSERTION LOSS | 100 KHz | 1-125 MHz |
| | -1.2 dB MAX | -0.2-0.002*f ^{1.4} dB MAX |
| RETURN LOSS (Z OUT = 100 OHM ±15%) | .1-30 MHz | 30-60 MHz |
| | -16 dB MIN | -10+20*LOG ₁₀ (f/60 MHz) dB MIN |
| INDUCTANCE (OCL) (MEDIA SIDE, 0°C-70°C) | 350 uH MIN (MEASURED AT 100 KHz, 100 mVRMS AND WITH 8 mA DC BIAS) | |
| | 1 MHz | 10-100 MHz |
| CROSSTALK, ADJACENT CHANNELS | -50 dB MIN | -55+22*LOG ₁₀ (f/10) dB MIN |
| | 2 MHz | 30-200 MHz |
| COMMON MODE REJECTION RATIO | -50 dB MIN | -15+20*LOG ₁₀ (f/200) dB MIN |
| | DC RESISTANCE, 1/2 WINDING | .65 OHMS MAX |
| DC RESISTANCE IMBALANCE | ±.065 OHMS MAX (CENTER TAP SYMMETRY) | |
| INPUT - OUTPUT ISOLATION | 1500 VRMS MIN @ 60 SECONDS | |

NOTE: f IS FREQUENCY IN MHz.

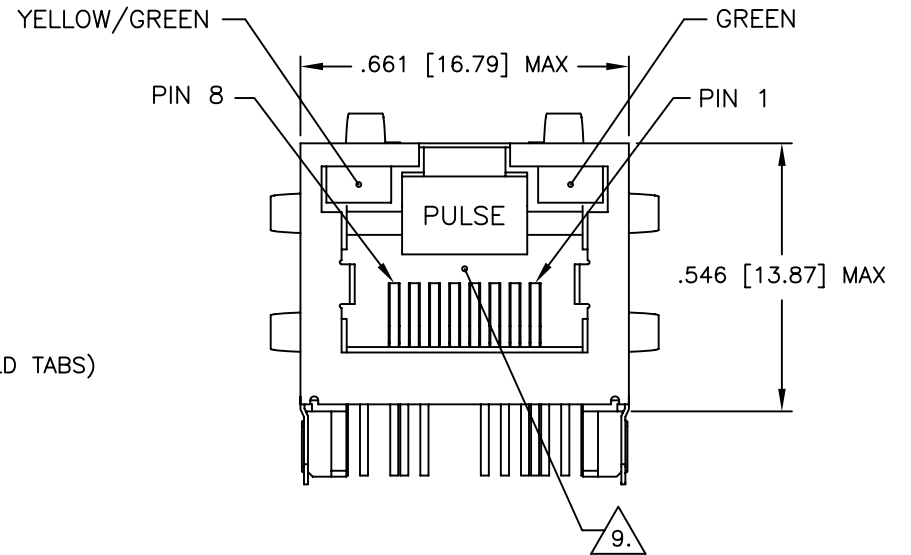
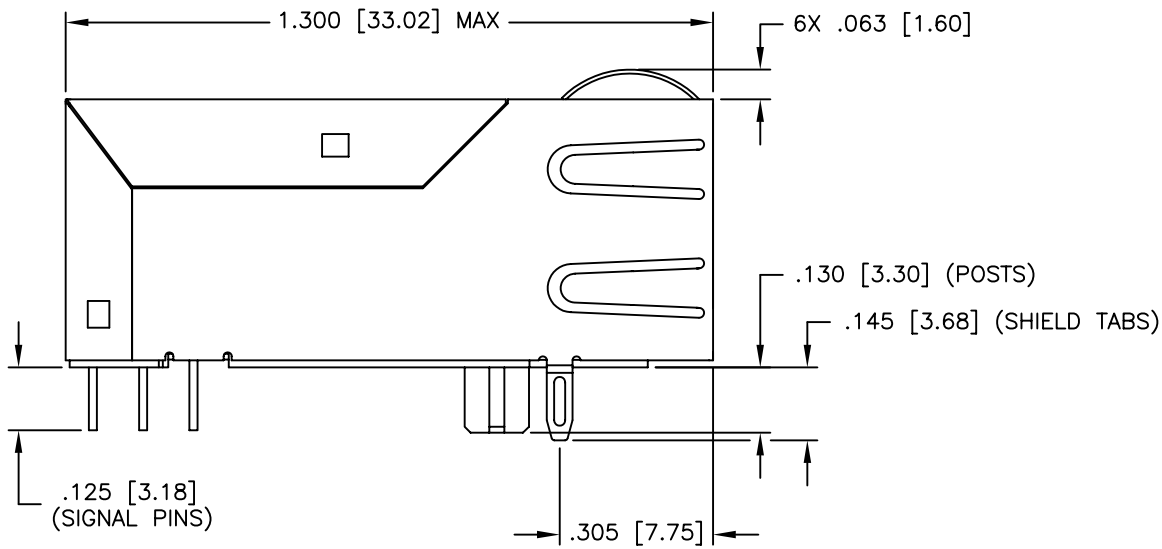
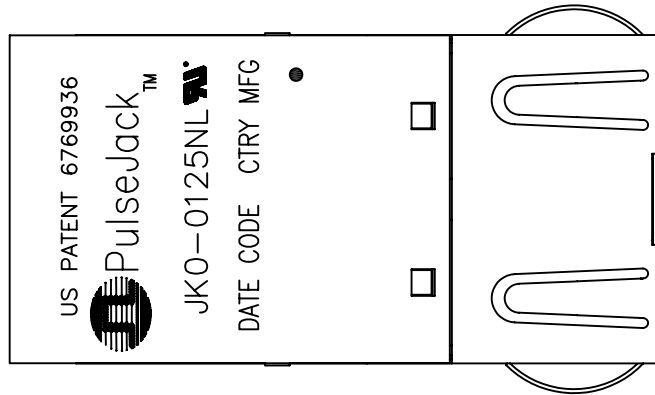
| EMMITTED COLOR | GREEN | GREEN | YELLOW |
|------------------------|-------------------|---------------------|---------------------|
| WAVELENGTH (nm) | 568 nM | 568 nM | 585 nM |
| BRIGHTNESS (mCD) | 12 TYP. @ 20mA | 8.5 TYP. @ 20 mA | 6.0 TYP. @ 20 mA |
| VIEWING ANGLE | 100° | 100° | 100° |
| POWER DISSIPATION (Pd) | 68 mW MAX | 100 mW MAX | 100 mW MAX |
| DC FORWARD CURRENT | 150 mA MAX | 150 mA MAX | 150 mA MAX |
| FORWARD VOLTAGE (Vf) | 2.2 TO 2.7 VOLTS | 2.2 TO 2.6 VOLTS | 2.1 TO 2.6 VOLTS |
| REVERSE VOLTAGE (Vr) | 5.0 V MAX | 5.0 V MAX | 5.0 V MAX |

NOTE: PER VENDOR'S SPECIFICATIONS

BI-COLOR

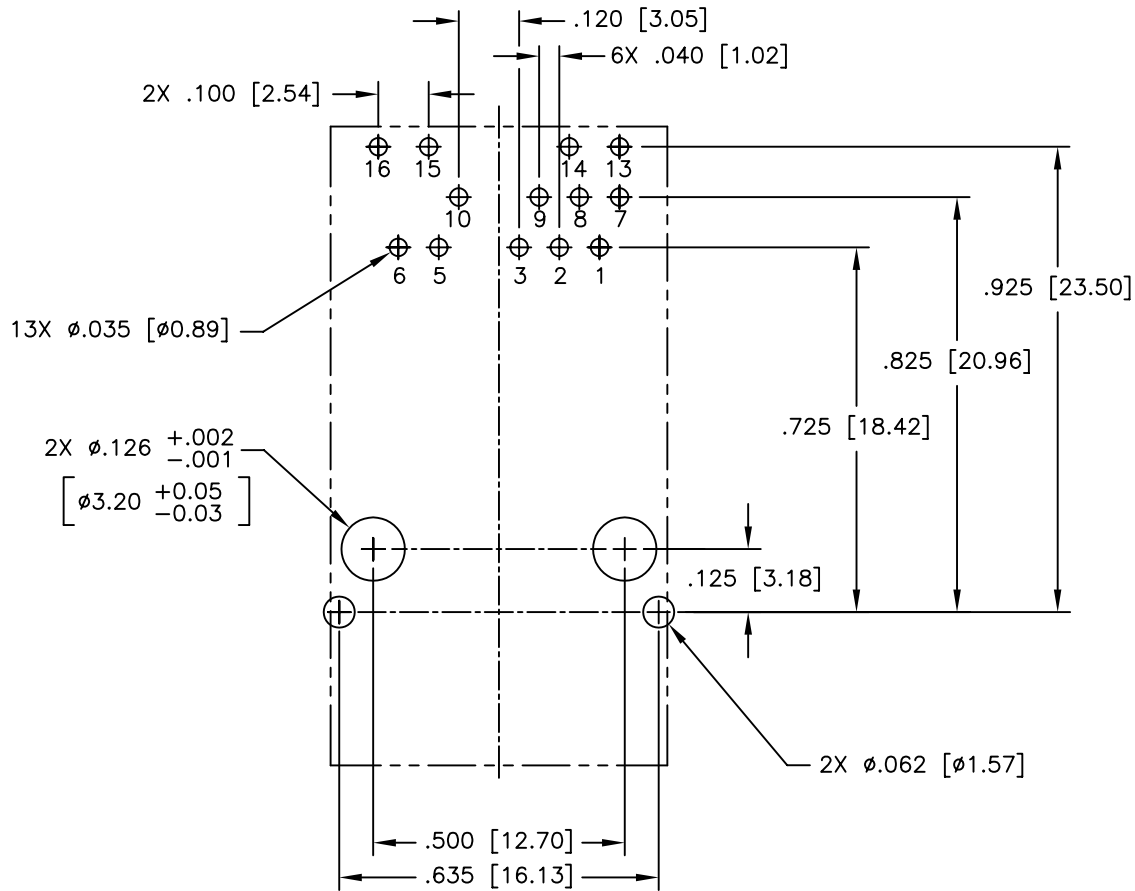
© Copyright, 2010. Pulse Electronics Corp. All rights reserved. Drawing specifications subject to change without notice. (12/07/10)

| | | | | | |
|--|---------------------------|---------------|--------|--------------------|------|
| PULSE CONFIDENTIAL & PROPRIETARY | PRODUCT DESCRIPTION | PS DRAWING | SHEET: | DWG. NO./ PART NO. | REV. |
| | CONN,RJ45,1X1,100P,1:1,TY | PS-2390.009-B | 1 | JK0-0125NL | M10 |

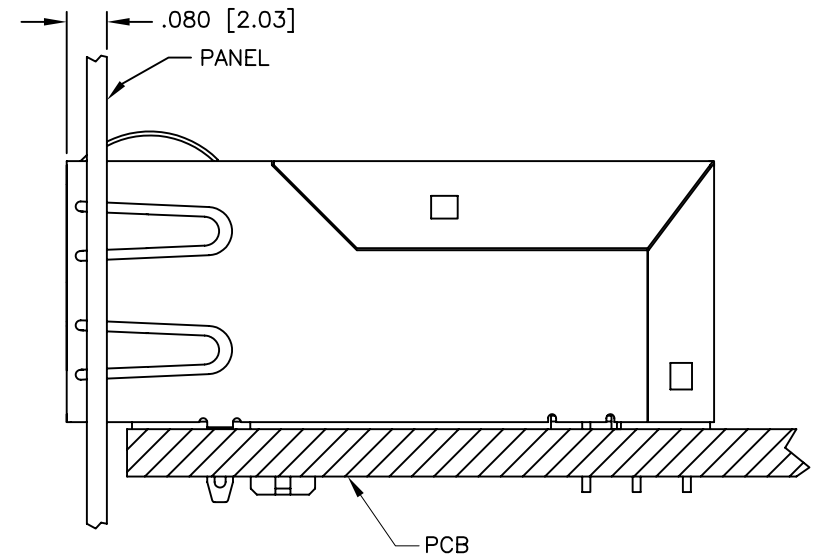
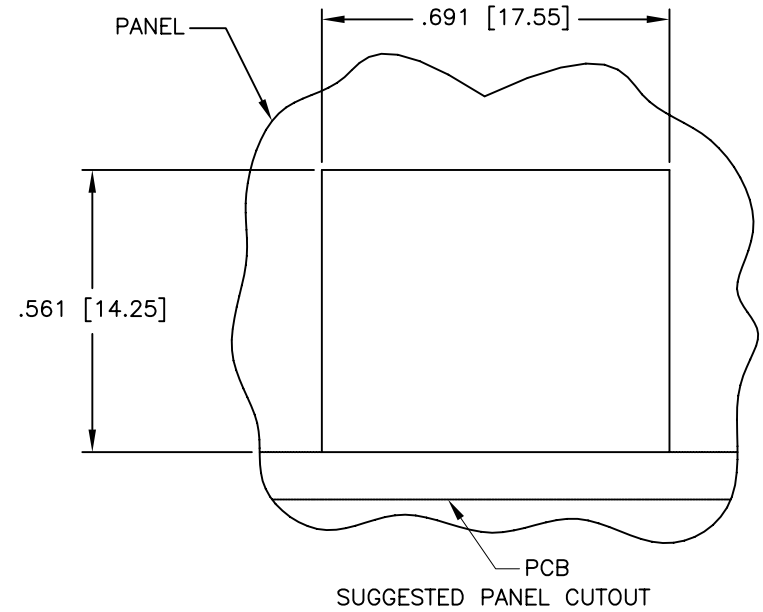


© Copyright, 2010. Pulse Electronics Corp. All rights reserved. Drawing specifications subject to change without notice. (12/07/10)

| PULSE CONFIDENTIAL & PROPRIETARY | PRODUCT DESCRIPTION | PS DRAWING | SHEET: | DWG. NO./ PART NO. | REV. |
|--|---------------------|---------------------------|---------------|--------------------|------------|
| | | CONN,RJ45,1X1,100P,1:1,TY | PS-2390.009-B | 2 | JK0-0125NL |



FRONT OF CONNECTOR
 SUGGESTED PCB LAYOUT
 (COMPONENT SIDE SHOWN)
 DIMENSIONAL TOLERANCE:
 .XXX \pm .003 [X.XX \pm 0.08]



© Copyright, 2010. Pulse Electronics Corp. All rights reserved. Drawing specifications subject to change without notice. (12/07/10)

| PULSE CONFIDENTIAL & PROPRIETARY | PRODUCT DESCRIPTION | PS DRAWING | SHEET: | DWG. NO./ PART NO. | REV. |
|--|---------------------|---------------------------|---------------|--------------------|------------|
| | | CONN,RJ45,1X1,100P,1:1,TY | PS-2390.009-B | 3 | JK0-0125NL |