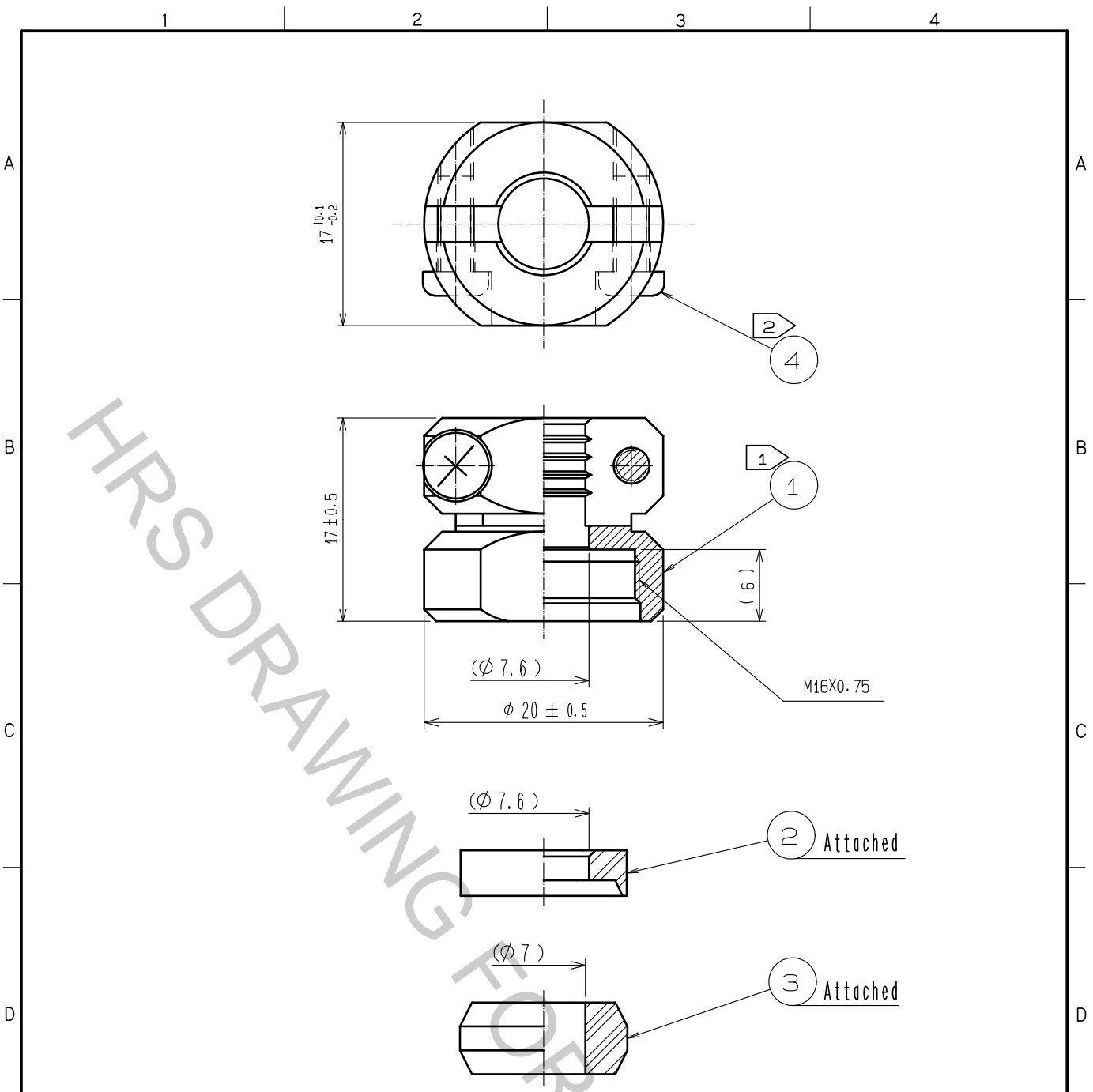


Aug.1.2018 Copyright 2018 HIROSE ELECTRIC CO., LTD. All Rights Reserved.
 In case that the application demands a high level of reliability, such as automotive,
 please contact a company representative for further information.



- Notes
- ① The recommended clamp torque of REF. No. ① to be 2 to 2.5 N·m. LOCTITE 263, HENKEL JAPAN or equivalent is recommended to prevent REF. No. ① from loosening.
 - ② The recommended clamp torque of REF. No. ④ to be 0.65 to 0.7 N·m.
 - ③ Sealing and airtightness and oil resisting shall be tested under mated condition with an applicable connector.

2	POLYPHENYLENE SULFIDE (BLACK)	UL94V-0	4	STAINLESS STEEL	M3×0.5×8		
1	BRASS	BLACK CHROME PLATING	3	ACRYLONITRILE BUTADIENE RUBBER (GRAY)			
NO.	MATERIAL	FINISH . REMARKS	NO.	MATERIAL	FINISH . REMARKS		
UNITS mm		SCALE 2 : 1	COUNT 	DESCRIPTION OF REVISIONS	DESIGNED	CHECKED	DATE
HIROSE ELECTRIC CO., LTD.		APPROVED	·HY. KOBAYASHI	18.02.26	DRAWING NO. EDC-110597-31-00		
		CHECKED	·HY. KOBAYASHI	18.02.26	PART NO. JR13WCC-7(31)		
		DESIGNED	·TH. KAMEYA	18.02.23	CODE NO. CL114-2048-9-31		
		DRAWN	·MK. INOUE	18.02.13	1/1		