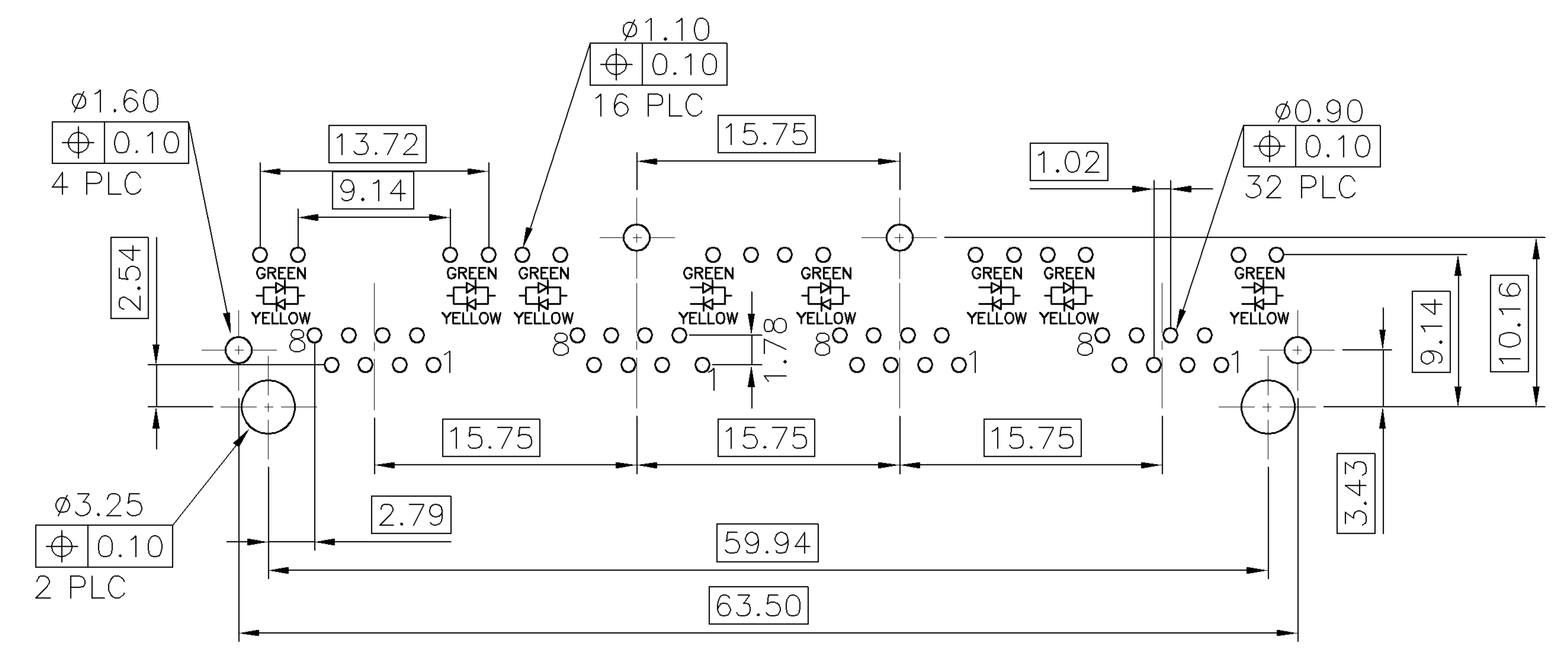
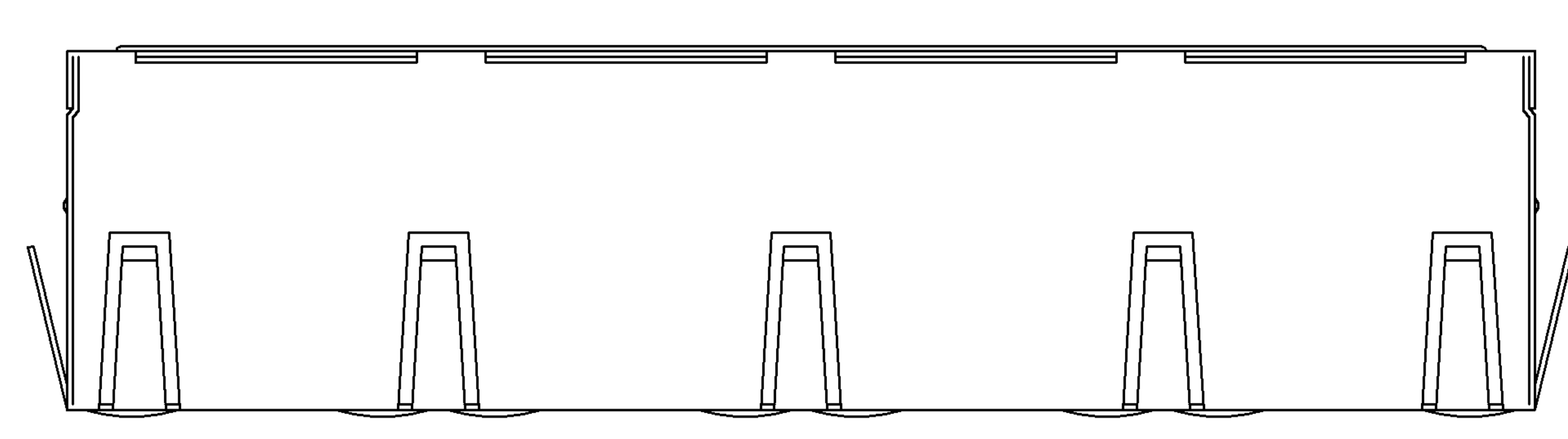
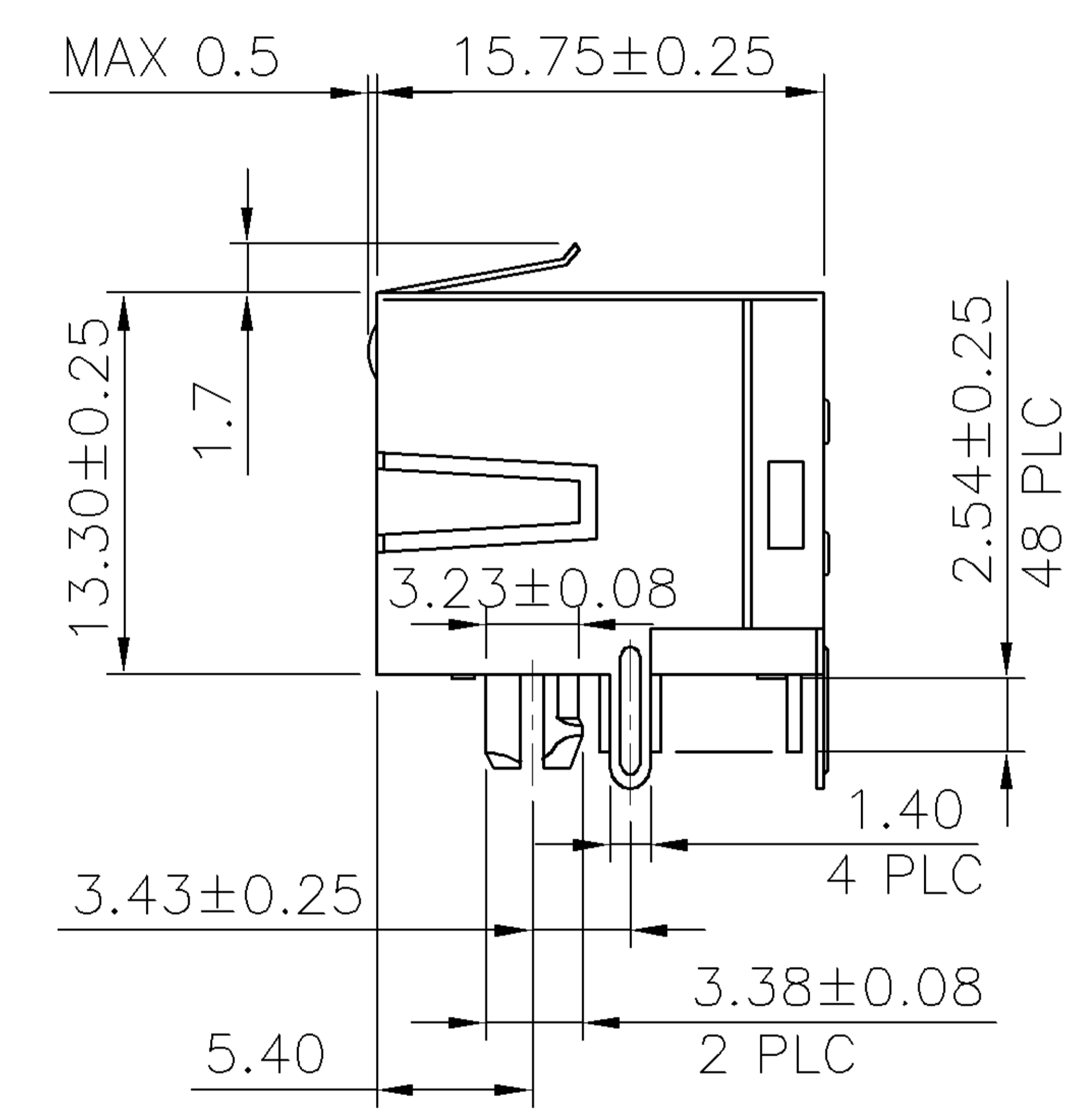
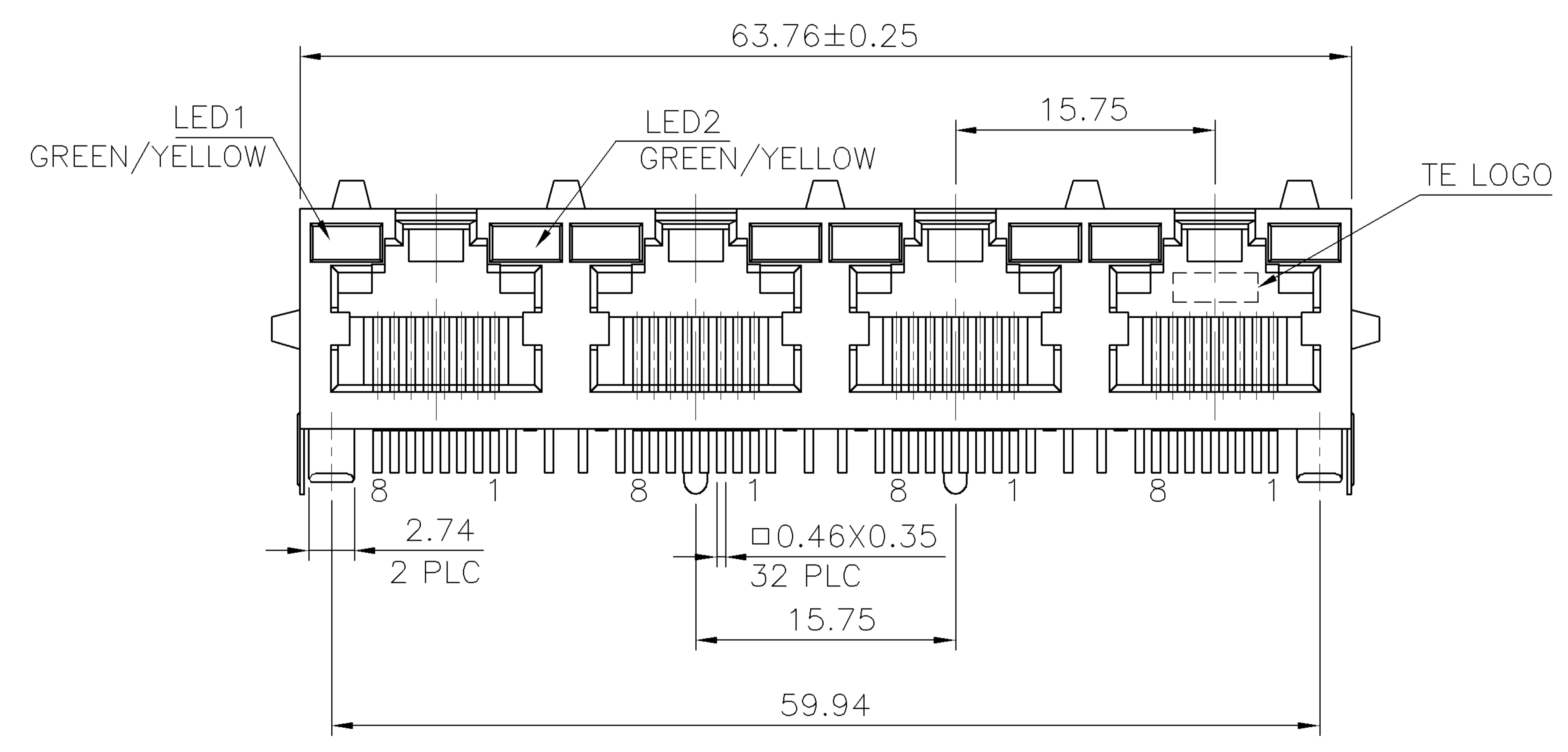


THIS DRAWING IS UNPUBLISHED. RELEASED FOR PUBLICATION
 © COPYRIGHT BY TYCO ELECTRONICS CORPORATION. ALL RIGHTS RESERVED.

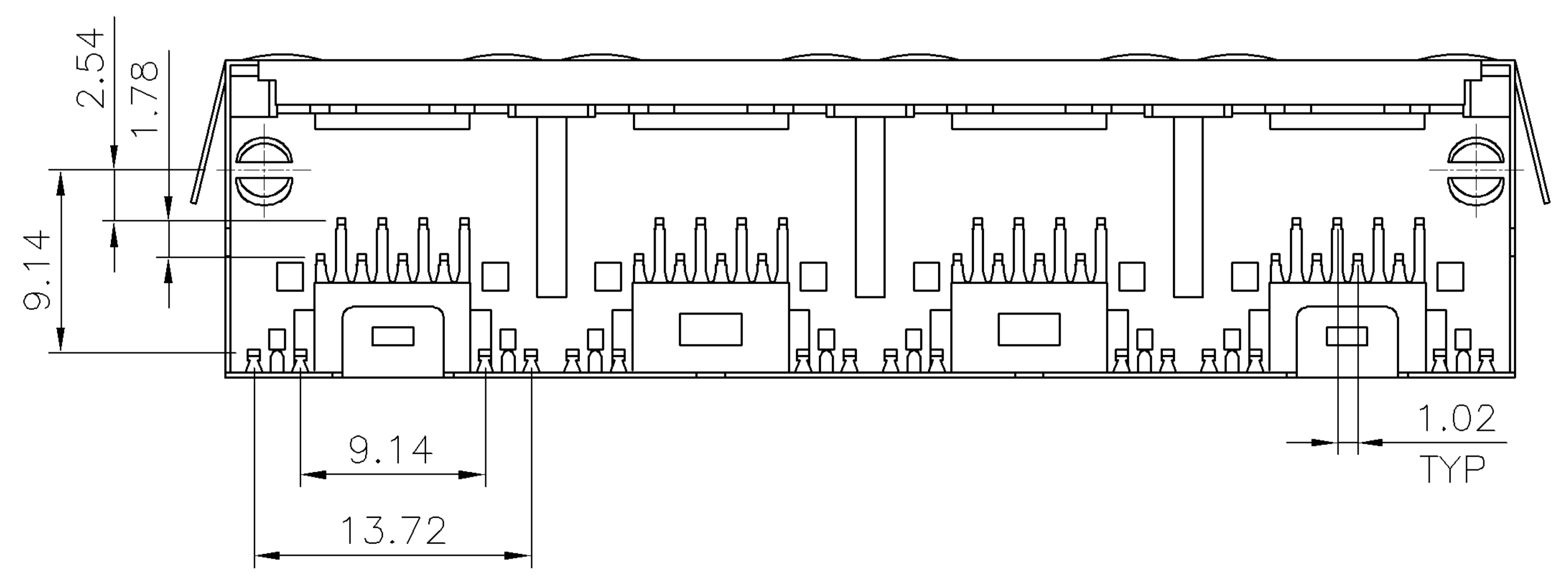
LOC	DIST	REVISIONS			
P	LTR	DESCRIPTION	DATE	DWN	APVD
DW	—	B	ECR-07-025111, ADD NEW DASH P/NS	26OCT07	OH WK
		B1	REVISED PER ECO-09-026495	30NOV09	KK AEG



RECOMMENDED PCB LAYOUT (THICKNESS: 1.6mm)
 DIMENSION TOLERANCE: 1 PLC: ±0.1 2PLC: ±0.05



- NOTE:
- MATERIAL:
 HOUSING: PA46 WITH 30% GF, UL 94V-0, BLACK COLOR.
 CONTACTS: PHOSPHOR BRONZE.
 SHELL: BRASS.
 LED LIGHT: EPOXY RESIN.
 - FINISH:
 CONTACTS: (SEE TABLE) GOLD PLATED ON CONTACT AREA, GOLD FLASH ON SOLDER TAIL, WITH ENTIRE CONTACT UNDERPLATED 1.27µm [50µ"] MIN. NICKEL.
 SHELL: 0.508µm [20µ"] MIN. NICKEL PLATED.
 LED LIGHT: 1.65µm [65µ"] MIN. Ag PLATED.
 2.16µm [85µ"] MIN. Ag PLATED.
 - WAVE SOLDER CAPABLE TO 265°C PER TE TEST SPEC. 109-202, CONDITION B.
- ⚠️ OBSOLETE PARTS: OBSOLETE CIS STREAMLINING PER D.RENAUD/D.SINISI

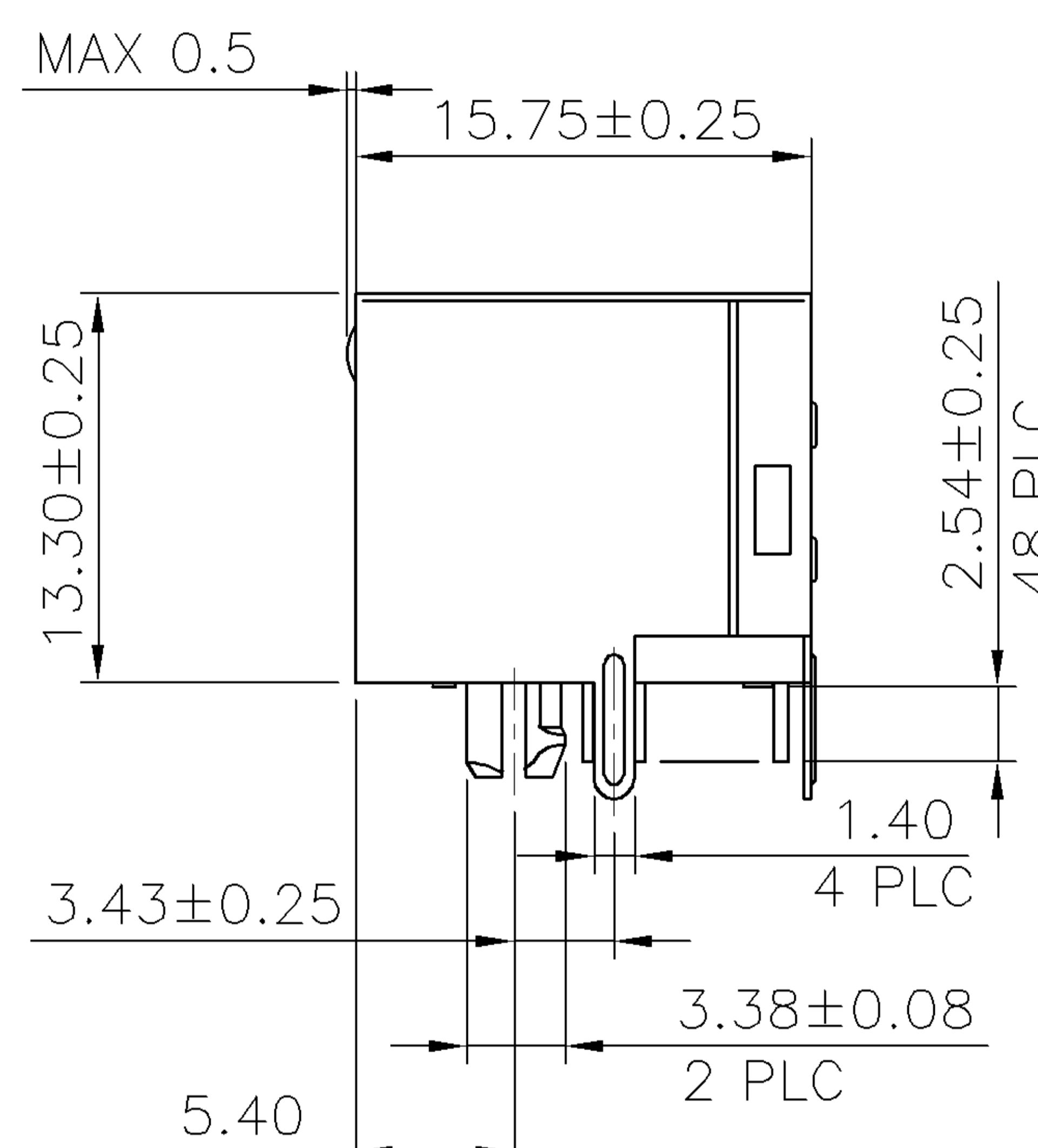
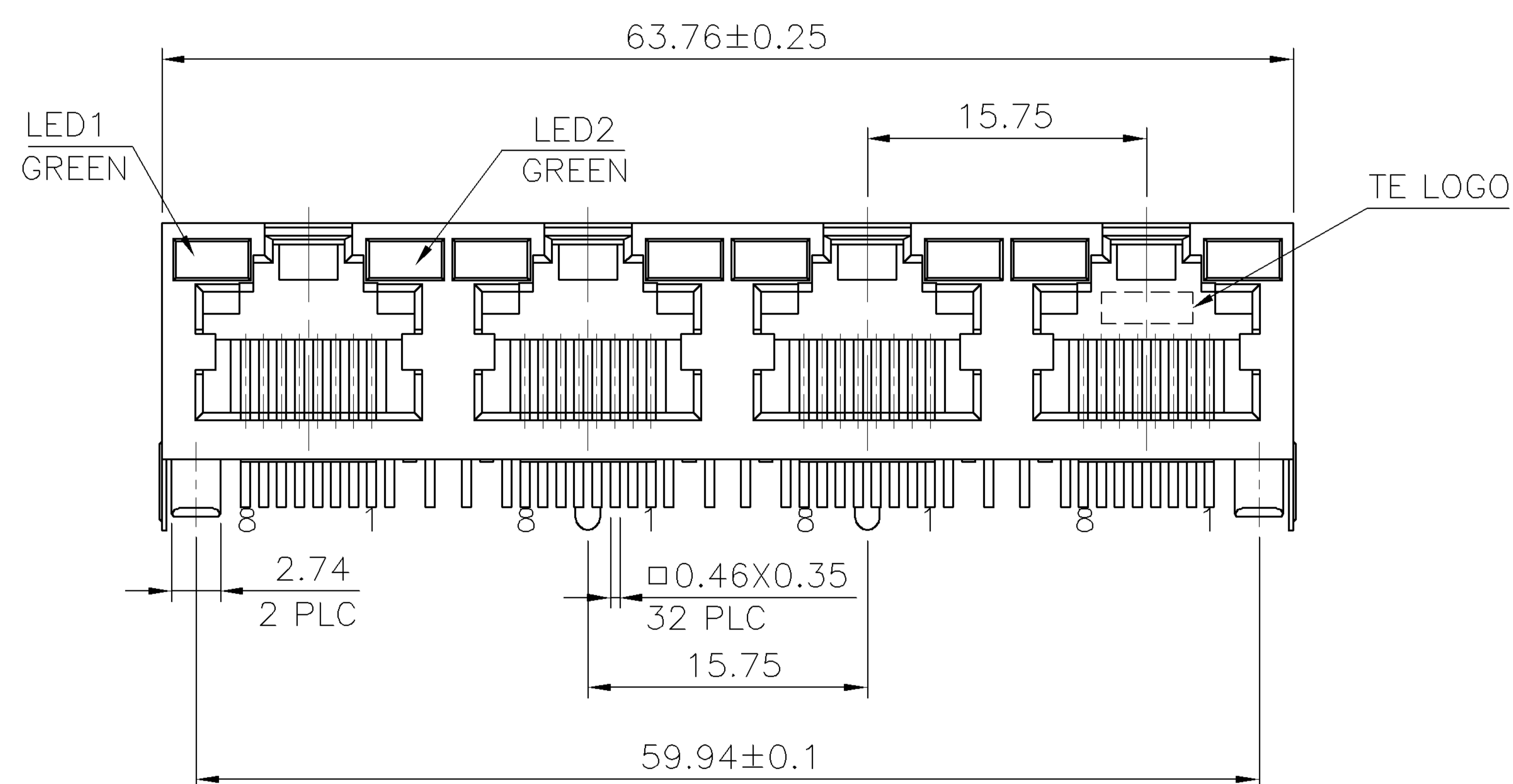
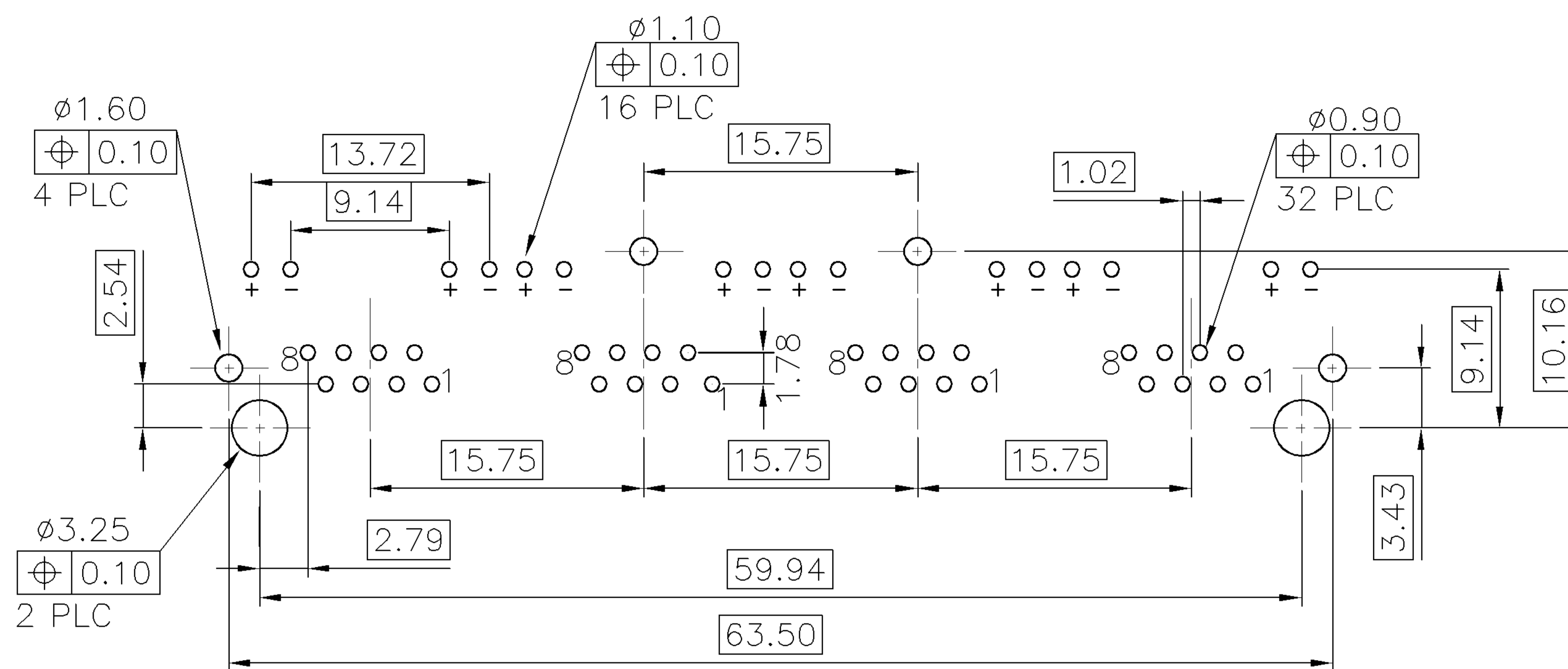
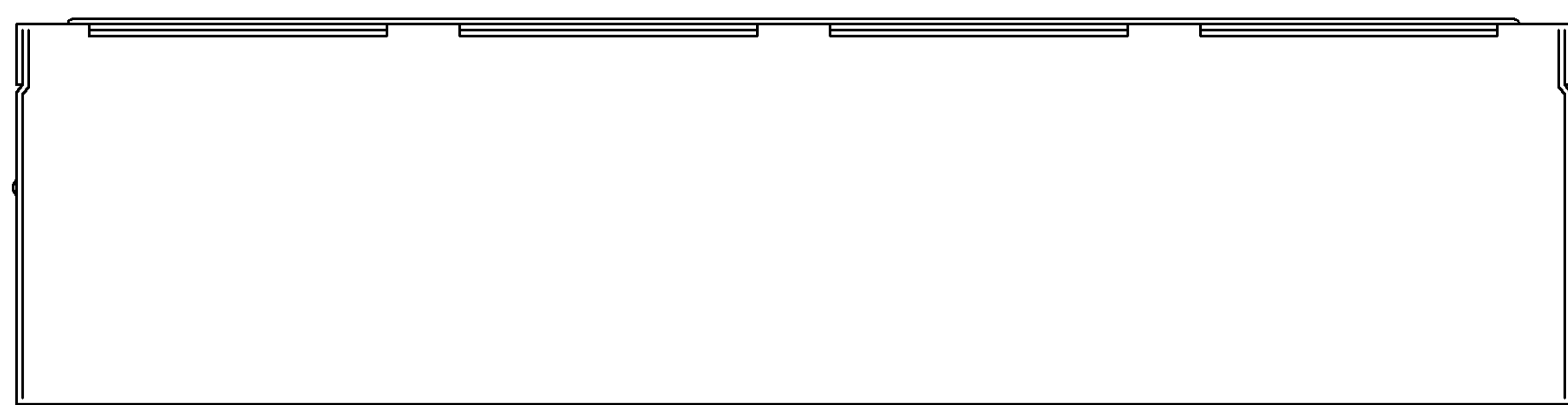


MIN. GOLD THICKNESS	PART NUMBER
1.37µm [50µ"]	1775133-4
0.762µm [30µ"]	1775133-3
0.381µm [15µ"]	1775133-2
0.152µm [6µ"]	1775133-1

THIS DRAWING IS A CONTROLLED DOCUMENT.		DWN O. HU 22OCT2007	Tyco Electronics Corporation Taipei, Taiwan	
DIMENSIONS: MM		CHK S. HOU 22OCT2007		
TOLERANCES UNLESS OTHERWISE SPECIFIED:		APVD W.J. KE 22OCT2007	NAME	
0 PLC ± 0.5		PRODUCT SPEC	MODULAR JACK, RJ45, WITH LED, DIP, SIDE ENTRY	
1 PLC ± 0.3		108-57535	SIZE	CAGE CODE
2 PLC ± 0.2		QUALIFICATION TEST REPORT	501-57625	DRAWING NO
3 PLC ± 0.1		501-57625	WEIGHT	RESTRICTED TO
4 PLC ± -		CUSTOMER DRAWING	15 GRAMS	A300779
ANGLES ± 3°		SCALE -	SHEET 1 OF 4	
FINISH SEE NOTE		REV B1		

THIS DRAWING IS UNPUBLISHED. RELEASED FOR PUBLICATION
 © COPYRIGHT BY TYCO ELECTRONICS CORPORATION. ALL RIGHTS RESERVED.

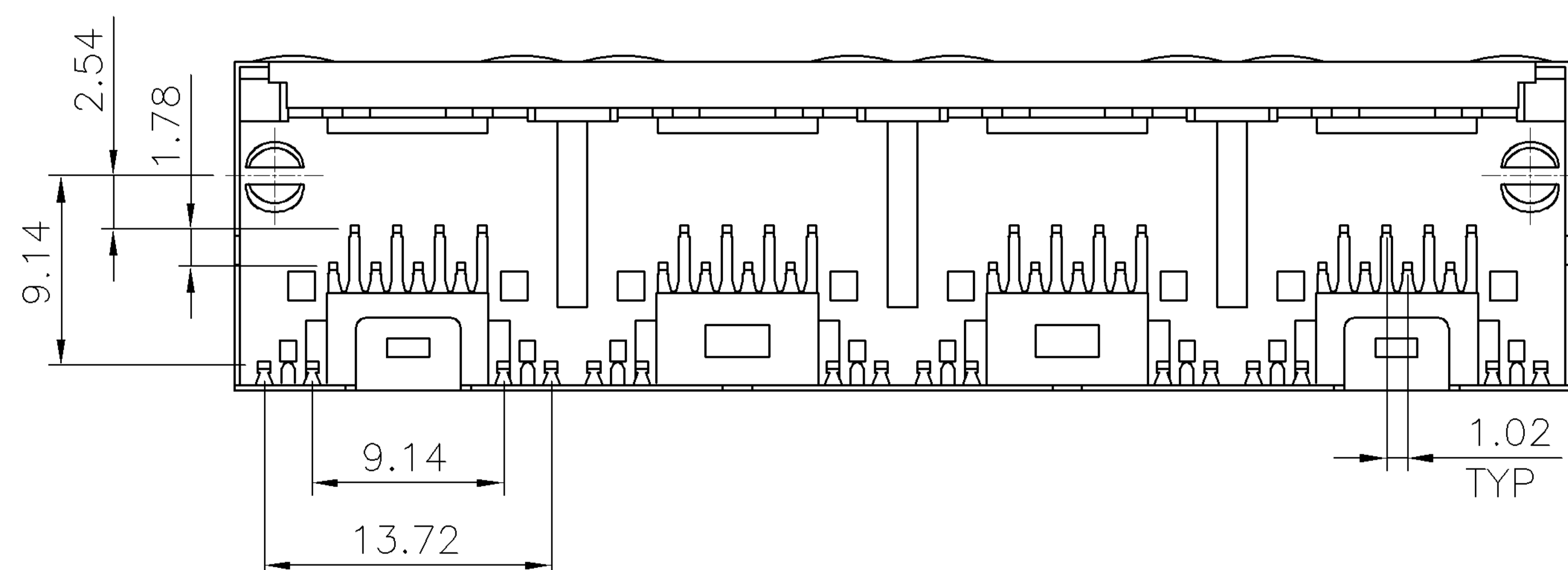
LOC	DIST	REVISIONS			
P	LTR	DESCRIPTION	DATE	DWN	APVD
		SEE SHEET 1.			



RECOMMENDED PCB LAYOUT (THICKNESS: 1.6mm)
 DIMENSION TOLERANCE: 1 PLC: ±0.1 2 PLC: ±0.05

NOTE:

- MATERIAL:
 HOUSING: PA46 WITH 30% GF, UL 94V-0, BLACK COLOR.
 CONTACTS: PHOSPHOR BRONZE.
 SHELL: BRASS.
 LED LIGHT: EPOXY RESIN.
- FINISH:
 CONTACTS: (SEE TABLE) GOLD PLATED ON CONTACT AREA, GOLD FLASH ON SOLDER TAIL, WITH ENTIRE CONTACT UNDERPLATED 1.27µm [50µ"] MIN. NICKEL.
 SHELL: 0.508µm [20µ"] MIN. NICKEL PLATED.
 LED LIGHT: 1.65µm [65µ"] MIN. Ag PLATED.
 2.16µm [85µ"] MIN. Ag PLATED.
- WAVE SOLDER CAPABLE TO 265°C PER TE TEST SPEC. 109-202, CONDITION B.

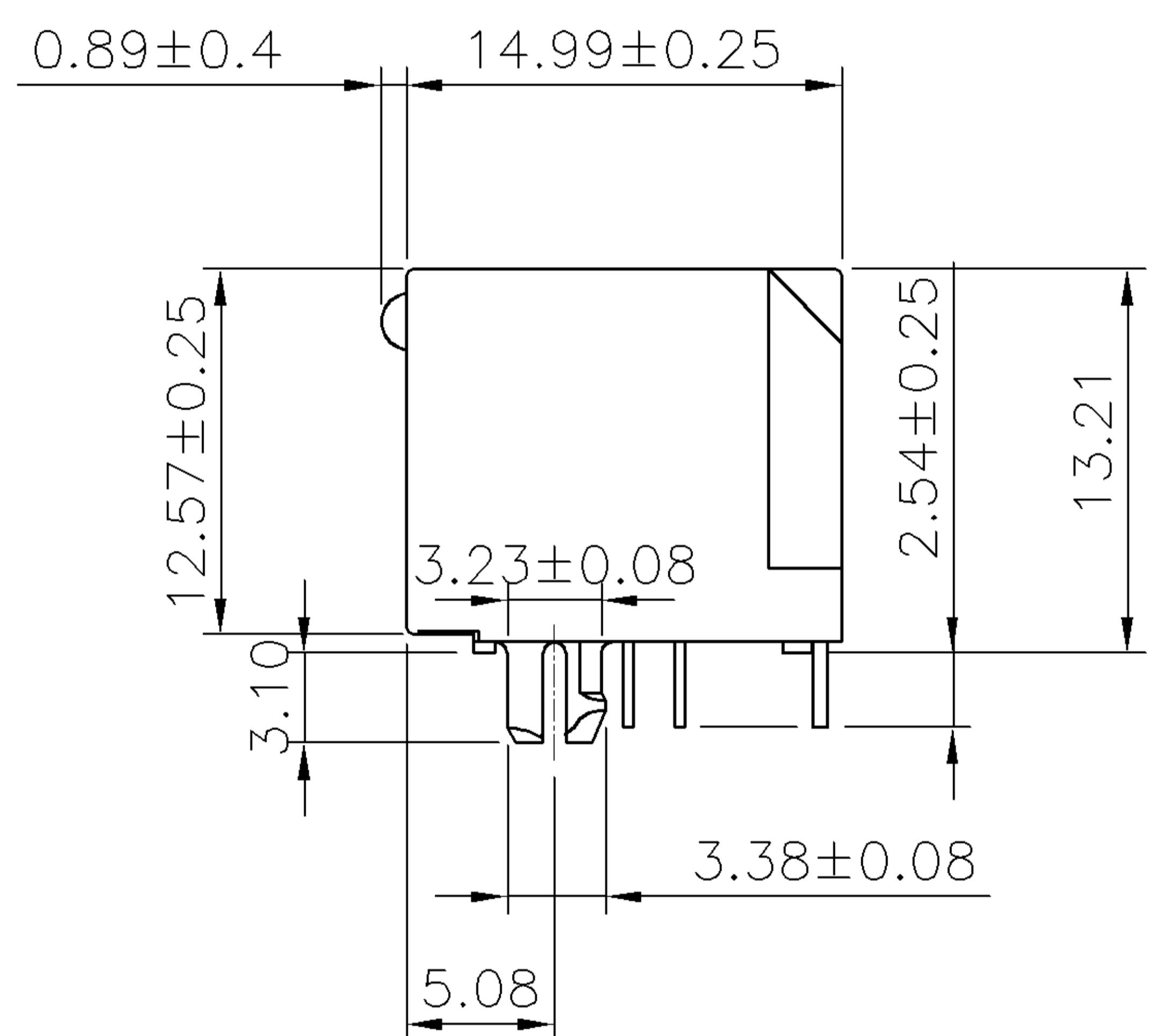
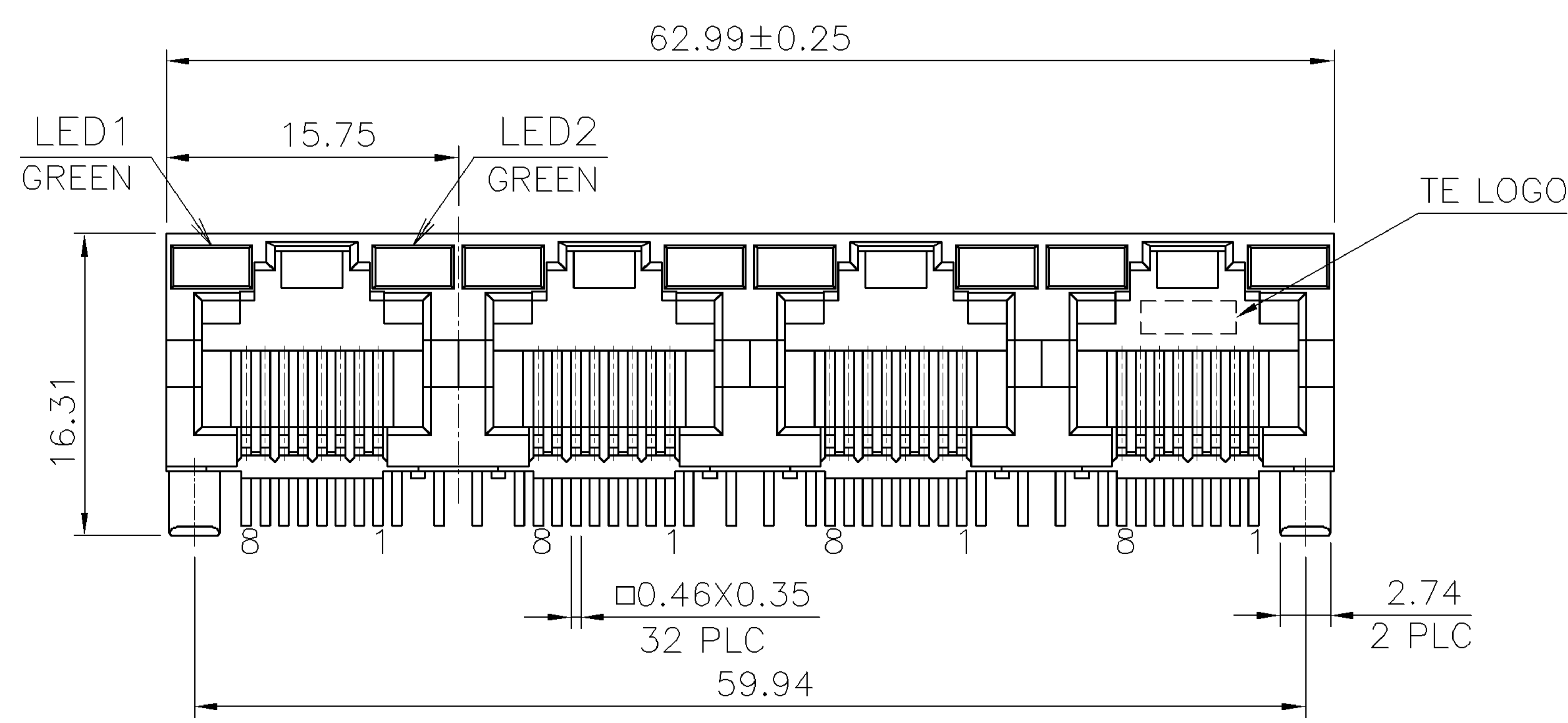
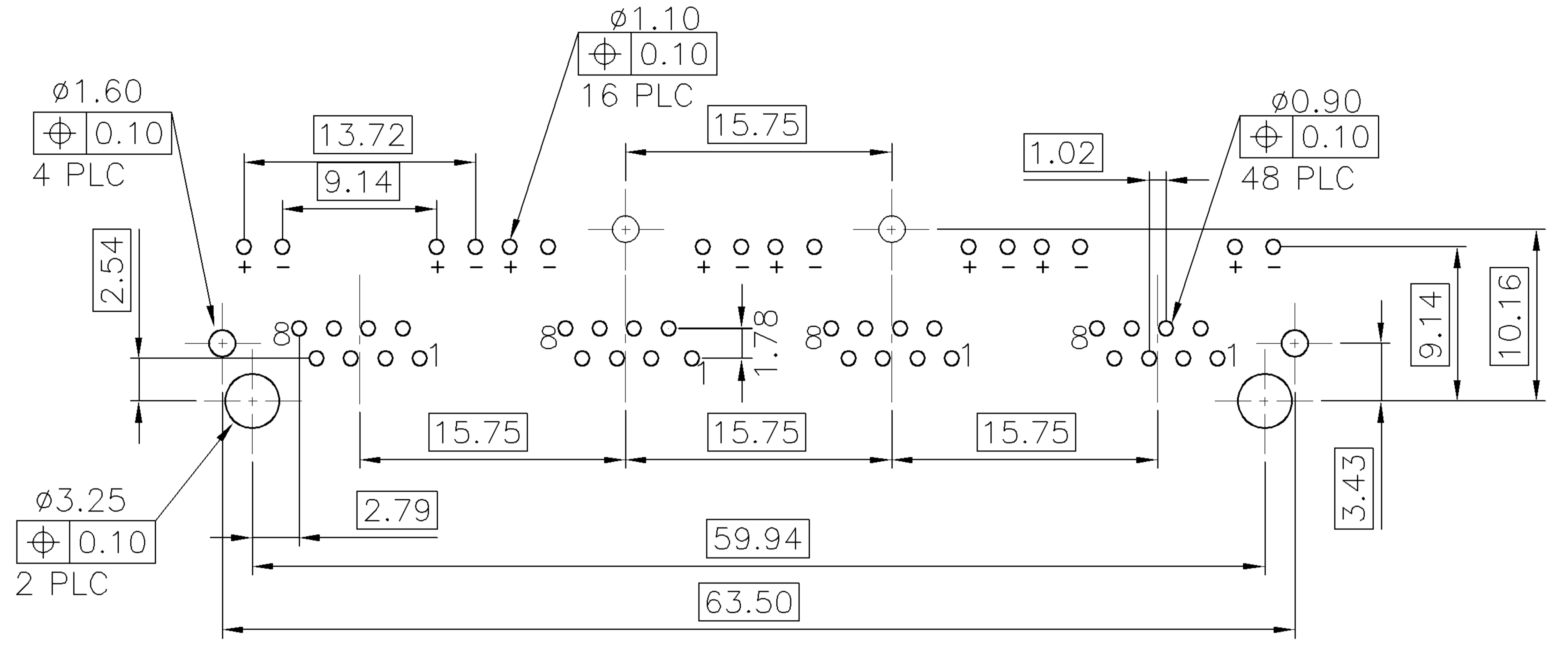
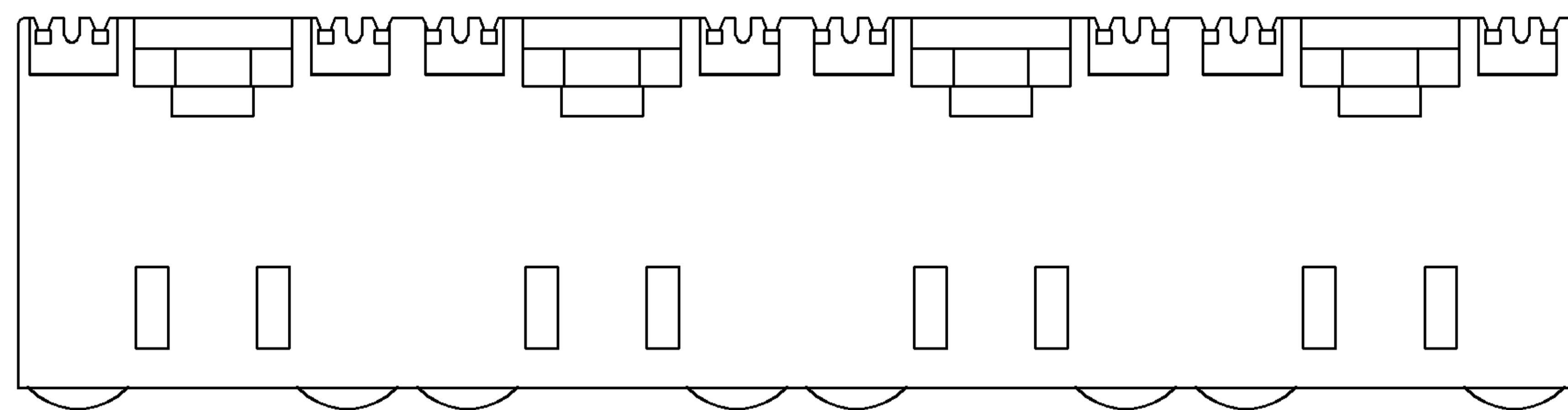


1.37µm [50µ"]	1-1775133-4
0.762µm [30µ"]	1-1775133-3
0.381µm [15µ"]	1-1775133-2
0.152µm [6µ"]	1-1775133-1
MIN. GOLD THICKNESS	PART NUMBER

THIS DRAWING IS A CONTROLLED DOCUMENT.		DWN O. HU 22OCT2007	Tyco Electronics Corporation Taipei, Taiwan			
DIMENSIONS: MM		CHK S. HOU 22OCT2007				
TOLERANCES UNLESS OTHERWISE SPECIFIED:		APVD W.J. KE 22OCT2007	NAME			
0 PLC ± 0.5 1 PLC ± 0.3 2 PLC ± 0.2 3 PLC ± 0.1 4 PLC ± - ANGLES ± 3°		PRODUCT SPEC 108-57535	MODULAR JACK, RJ45, WITH LED, DIP, SIDE ENTRY			
MATERIAL		APPLICATION SPEC 501-57625	SIZE	CAGE CODE	DRAWING NO	RESTRICTED TO
FINISH		WEIGHT 15 GRAMS	A3	00779	C=1775133	-
CUSTOMER DRAWING			SCALE -	SHEET 2 OF 4	REV B1	

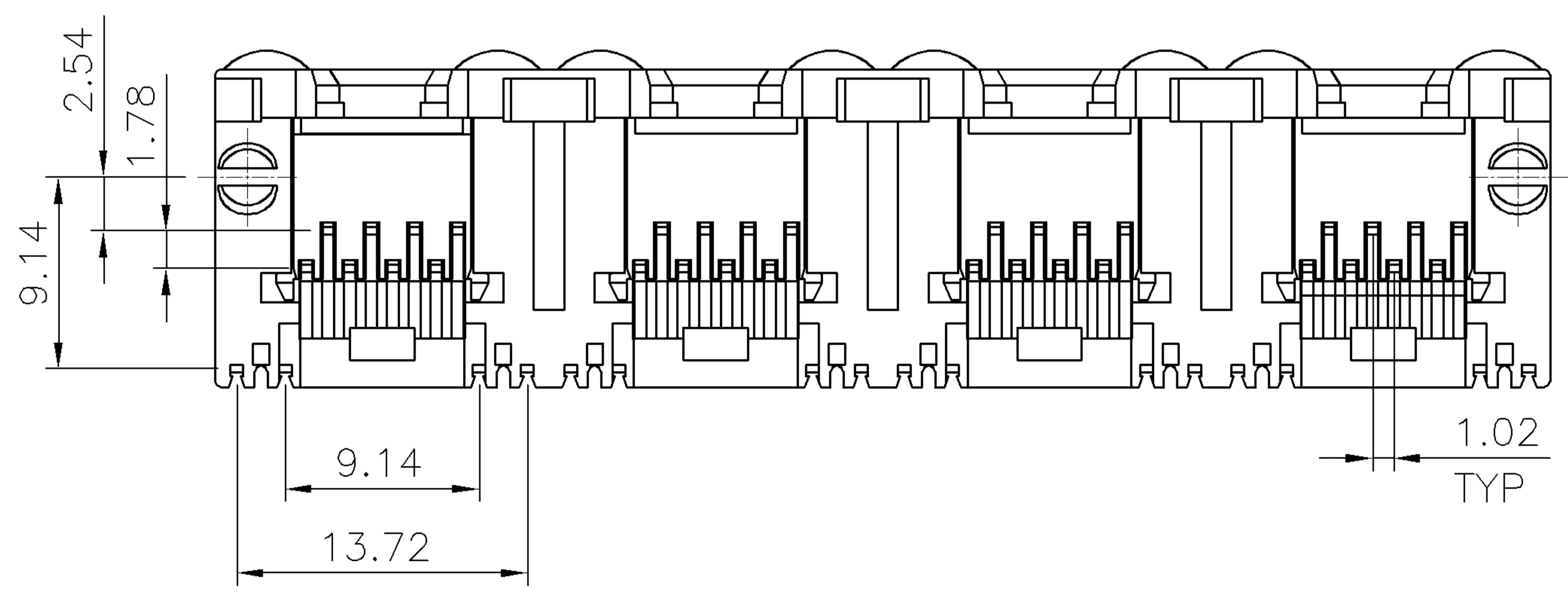
THIS DRAWING IS UNPUBLISHED. RELEASED FOR PUBLICATION
 © COPYRIGHT BY TYCO ELECTRONICS CORPORATION. ALL RIGHTS RESERVED.

LOC	DIST	REVISIONS					
DW	—	P	LTR	DESCRIPTION	DATE	DWN	APVD
				SEE SHEET 1.			



RECOMMENDED PCB LAYOUT (THICKNESS: 1.6mm)
 DIMENSION TOLERANCE: 1 PLC: ±0.1 2 PLC: ±0.05

- NOTE:
- MATERIAL:
 HOUSING: PA46 WITH 30% GF, UL 94V-0, BLACK COLOR.
 CONTACTS: PHOSPHOR BRONZE.
 LED LIGHT: EPOXY RESIN.
 - FINISH:
 CONTACTS: (SEE TABLE) GOLD PLATED ON CONTACT AREA, GOLD FLASH ON SOLDER TAIL, WITH ENTIRE CONTACT UNDERPLATED 1.27µm [50µ"] MIN. NICKEL.
 LED LIGHT: 1.65µm [65µ"] MIN. Ag PLATED.
 2.16µm [85µ"] MIN. Ag PLATED.
 - WAVE SOLDER CAPABLE TO 265°C PER TE TEST SPEC. 109-202, CONDITION B.

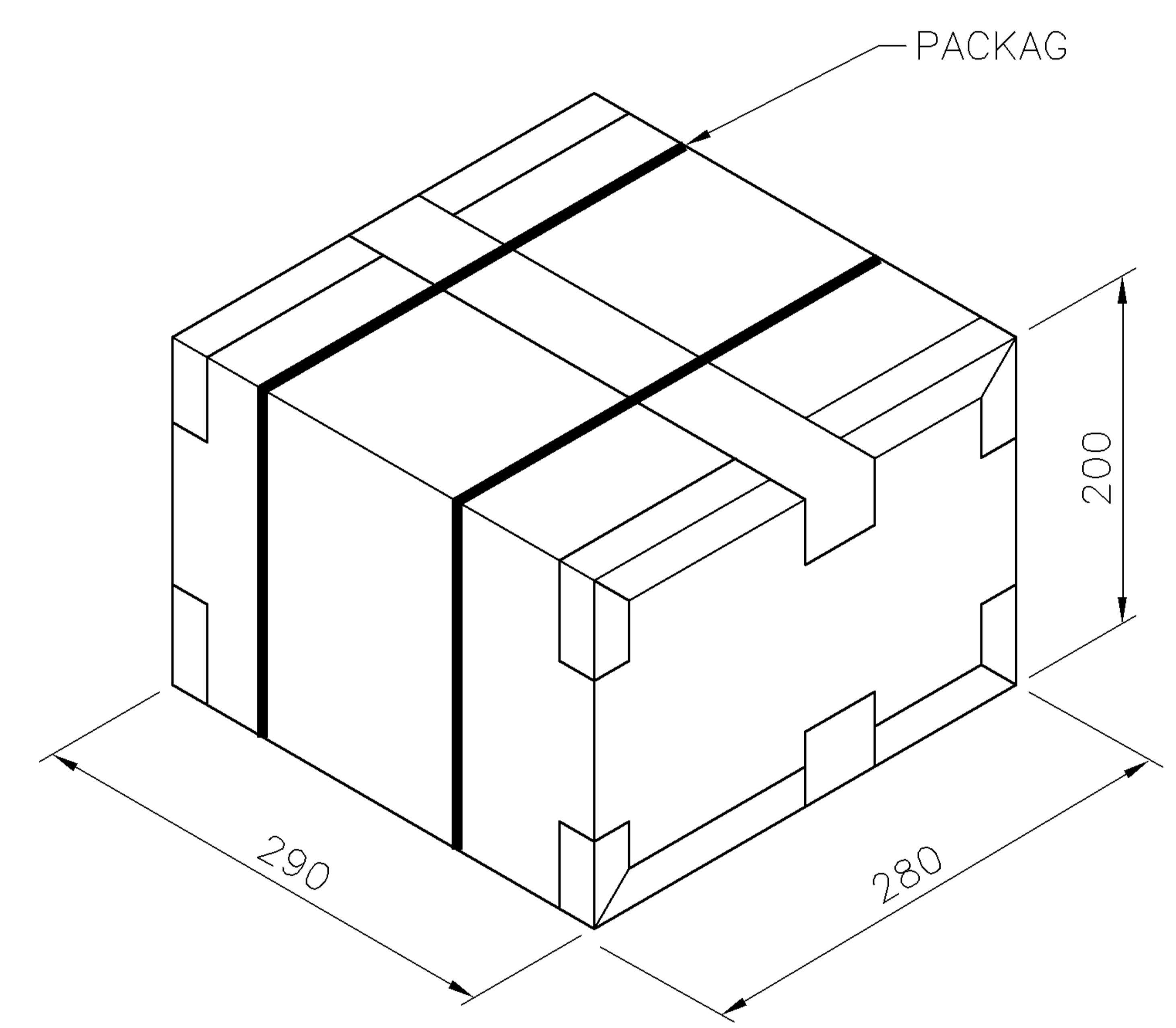
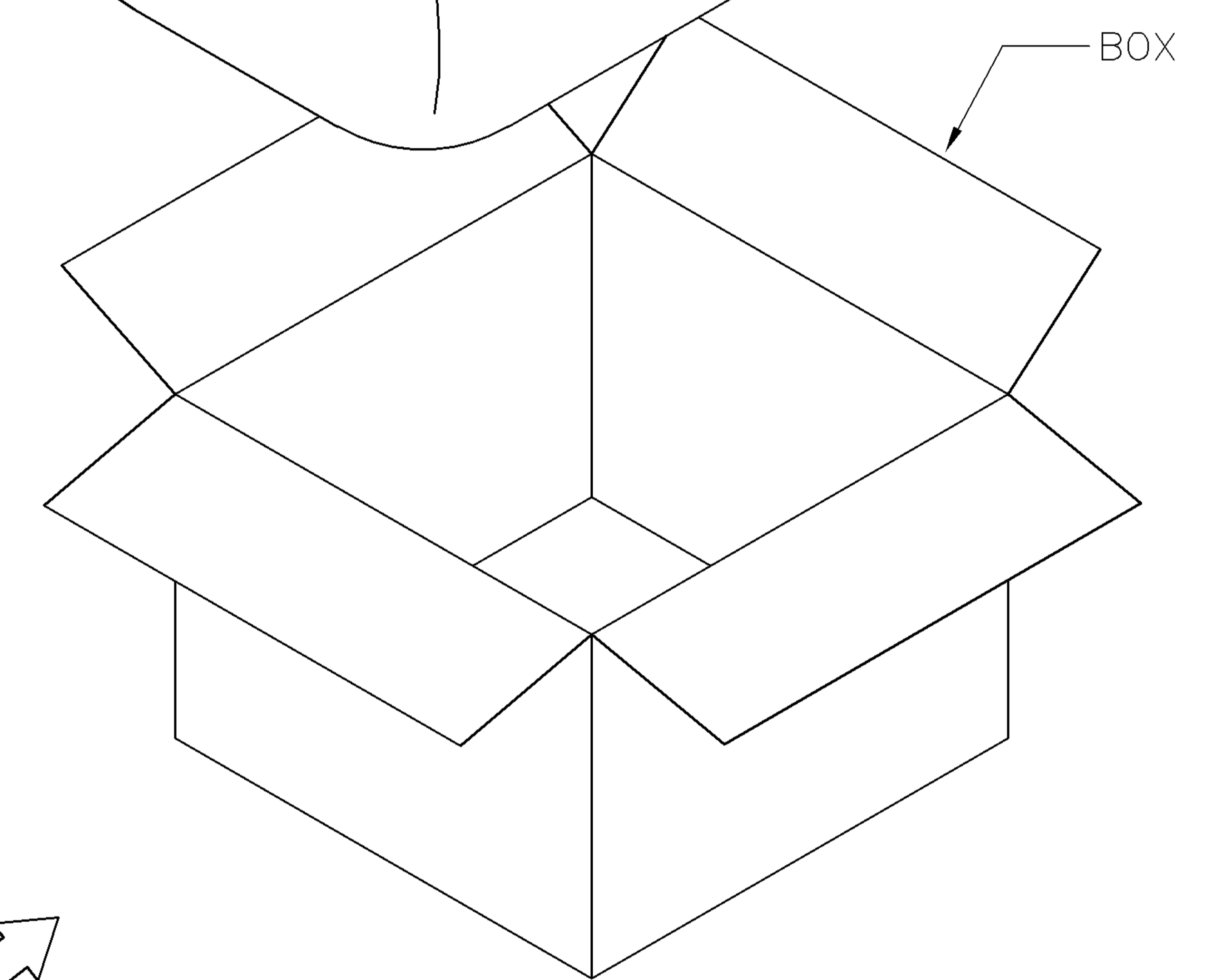
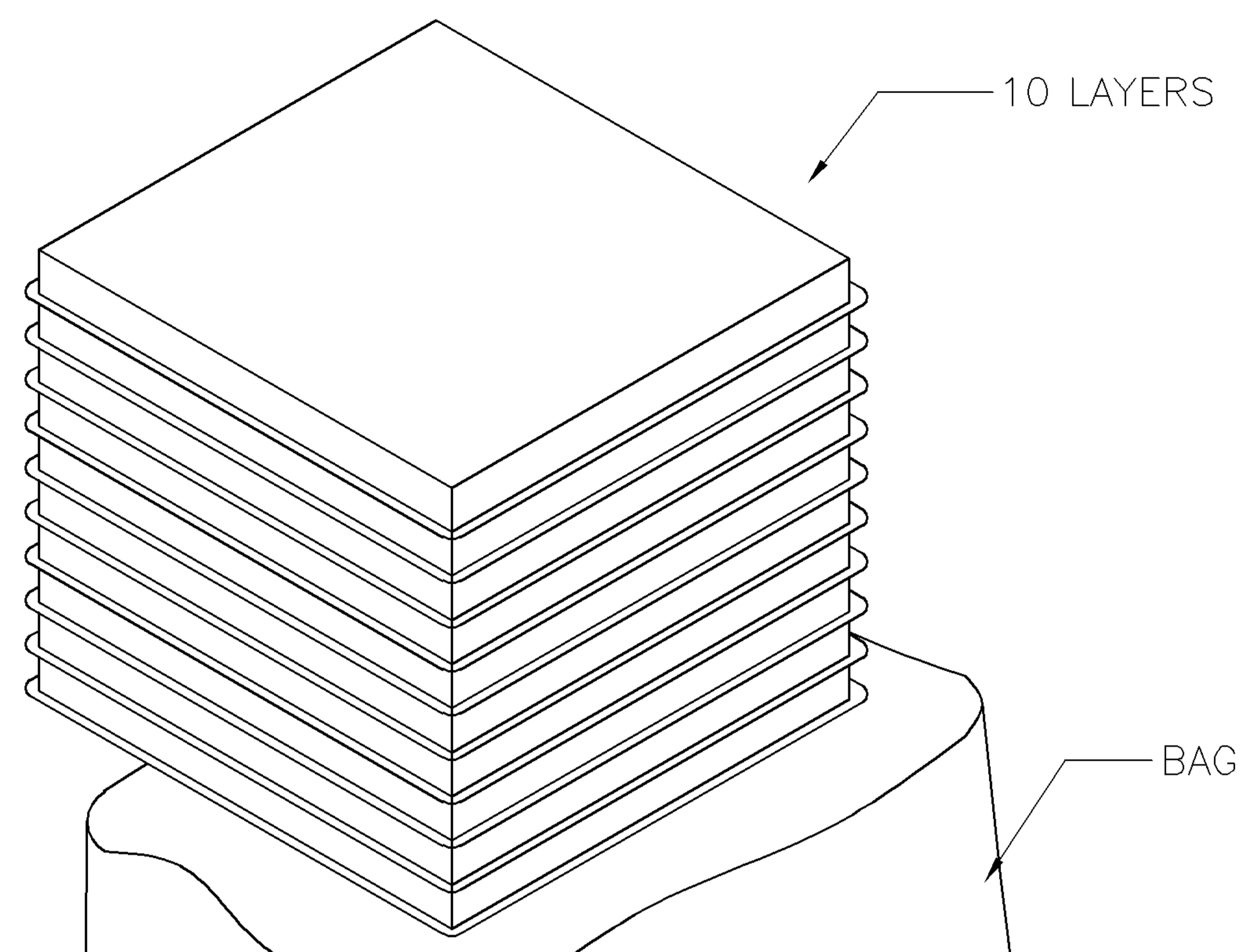
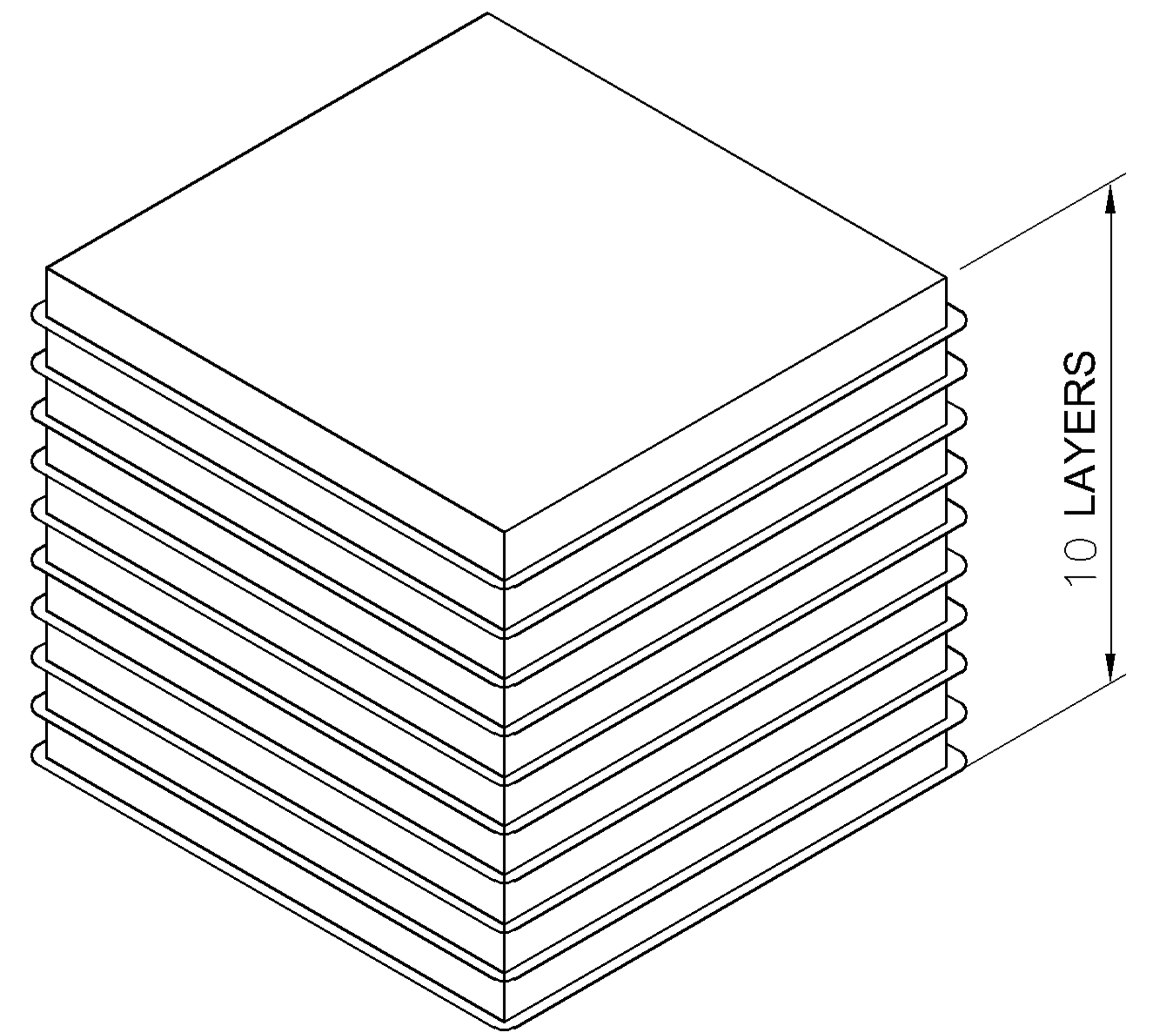
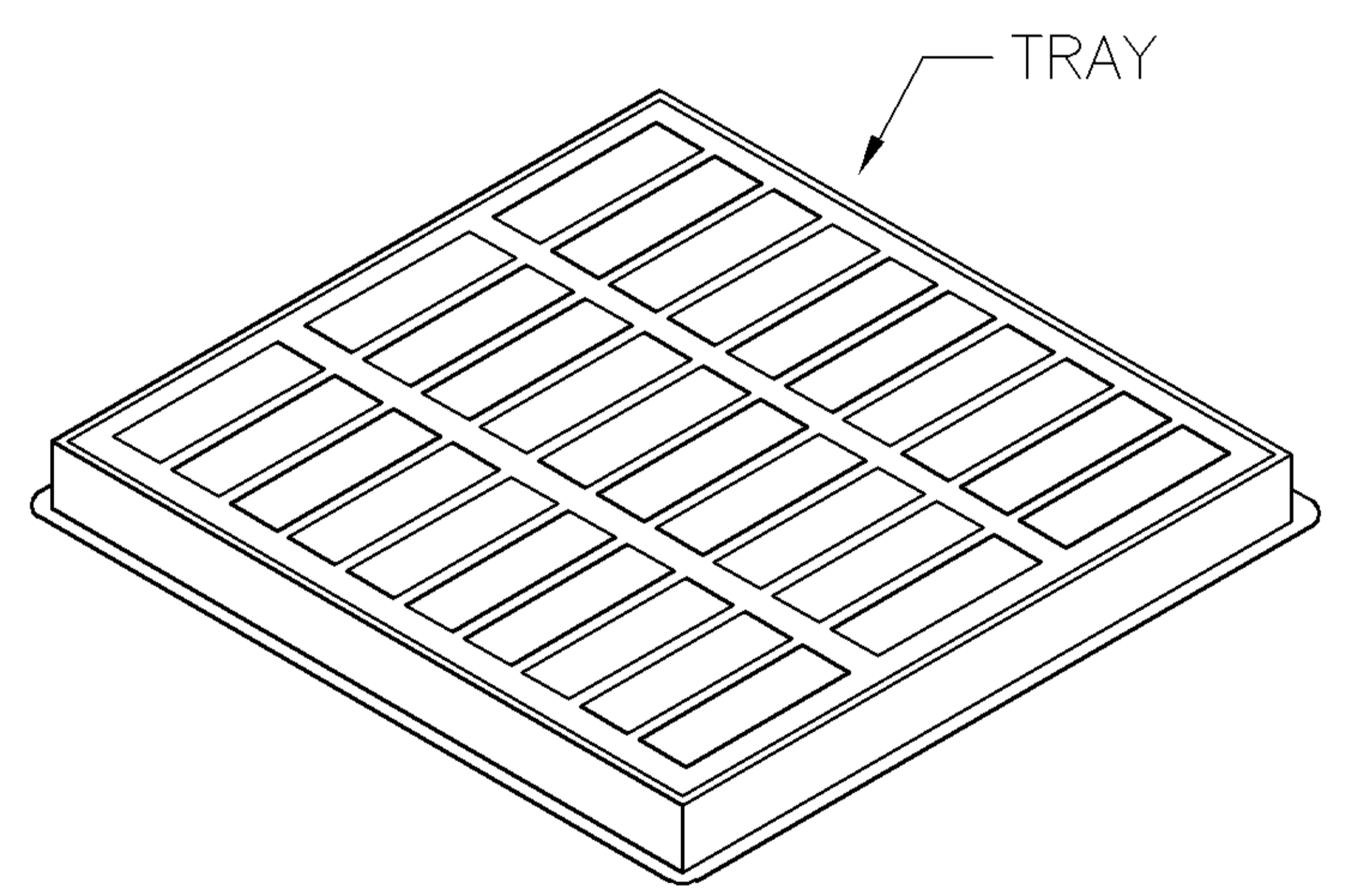
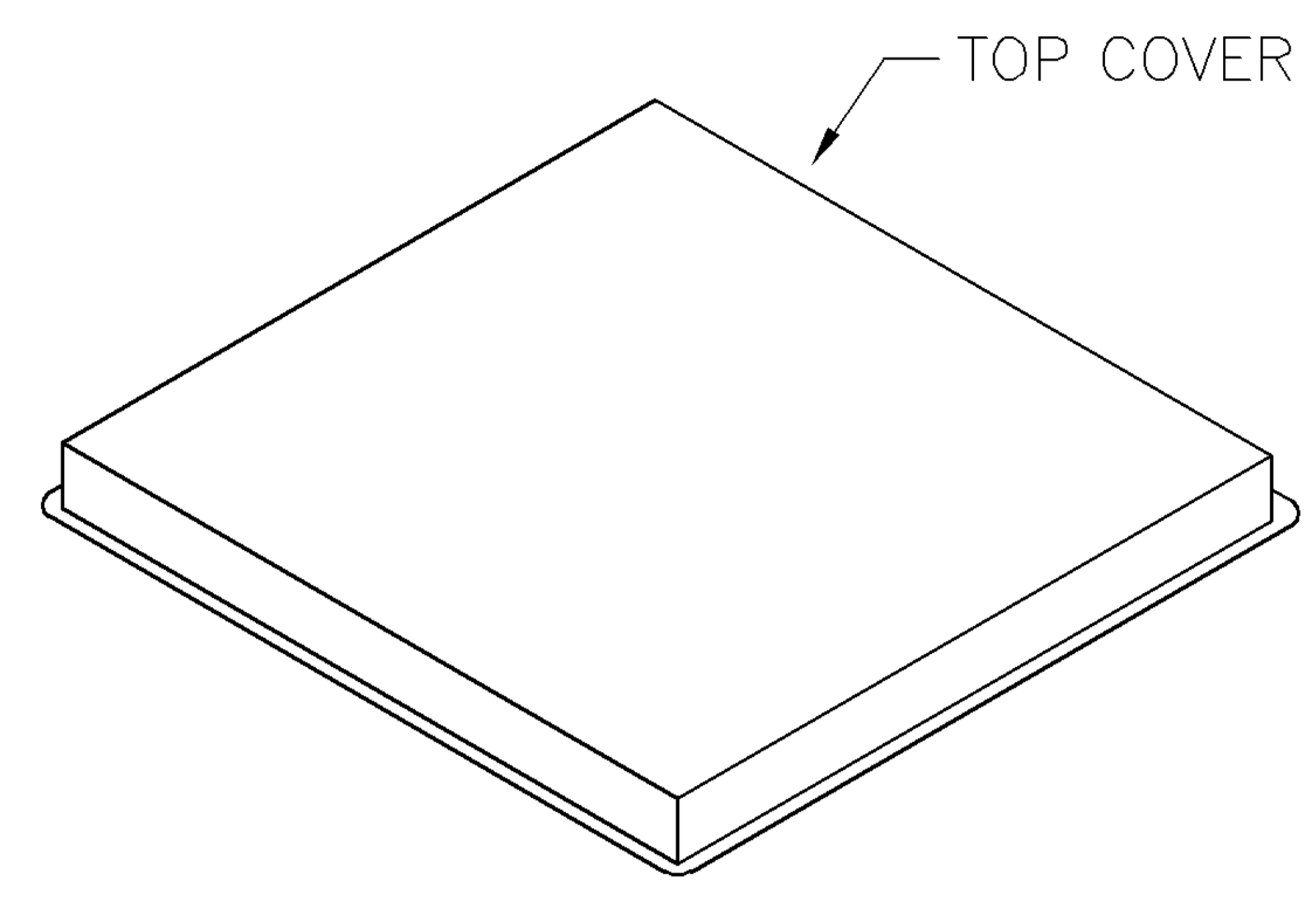


1.37µm [50µ"]	2-1775133-4
0.762µm [30µ"]	2-1775133-3
0.381µm [15µ"]	2-1775133-2
0.152µm [6µ"]	2-1775133-1
MIN. GOLD THICKNESS	PART NUMBER

THIS DRAWING IS A CONTROLLED DOCUMENT.		DWN O. HU 22OCT2007	Tyco Electronics Corporation Taipei, Taiwan		
DIMENSIONS: MM		CHK S. HOU 22OCT2007			
TOLERANCES UNLESS OTHERWISE SPECIFIED:		APVD W.J. KE 22OCT2007	PRODUCT SPEC		
0 PLC ± 0.5 1 PLC ± 0.3 2 PLC ± 0.2 3 PLC ± 0.1 4 PLC ± - ANGLES ± 3°		APPLICATION SPEC			RESTRICTED TO
MATERIAL		501-57625			SIZE
FINISH		WEIGHT 10 GRAMS			CAGE CODE
		CUSTOMER DRAWING			DRAWING NO
		A300779			RESTRICTED TO
		SCALE -			SHEET 3 OF 4
		REV B1			

THIS DRAWING IS UNPUBLISHED. RELEASED FOR PUBLICATION
 © COPYRIGHT BY TYCO ELECTRONICS CORPORATION. ALL RIGHTS RESERVED.

LOC	DIST	REVISIONS					
DW	—	P	LTR	DESCRIPTION	DATE	DWN	APVD
				SEE SHEET 1.			



5 Kg	3 Kg	30	10	300 PCS	2-1775133-X
6.5Kg	4.5 Kg	30	10	300 PCS	1-1775133-X
					0-1775133-X
GROSS WEIGHT (Ref.)	NET WEIGHT (Ref.)	PCS/TRAY	TRAYS /BOX	QUANTITY	PART NUMBER

THIS DRAWING IS A CONTROLLED DOCUMENT.		DWN O. HU 22OCT2007	Tyco Electronics Corporation Taipei, Taiwan			
DIMENSIONS: MM		CHK S. HOU 22OCT2007				
TOLERANCES UNLESS OTHERWISE SPECIFIED: 0 PLC ± - 1 PLC ± - 2 PLC ± - 3 PLC ± - 4 PLC ± - ANGLES ± -		APVD W.J. KE 22OCT2007	NAME			
MATERIAL		PRODUCT SPEC	MODULAR JACK, RJ45, WITH LED, DIP, SIDE ENTRY			
FINISH		APPLICATION SPEC	SIZE	CAGE CODE	DRAWING NO	RESTRICTED TO
		WEIGHT	A300779		C=1775133	—
CUSTOMER DRAWING			SCALE	SHEET	REV	
			—	4 OF 4	B1	