

NOTES:

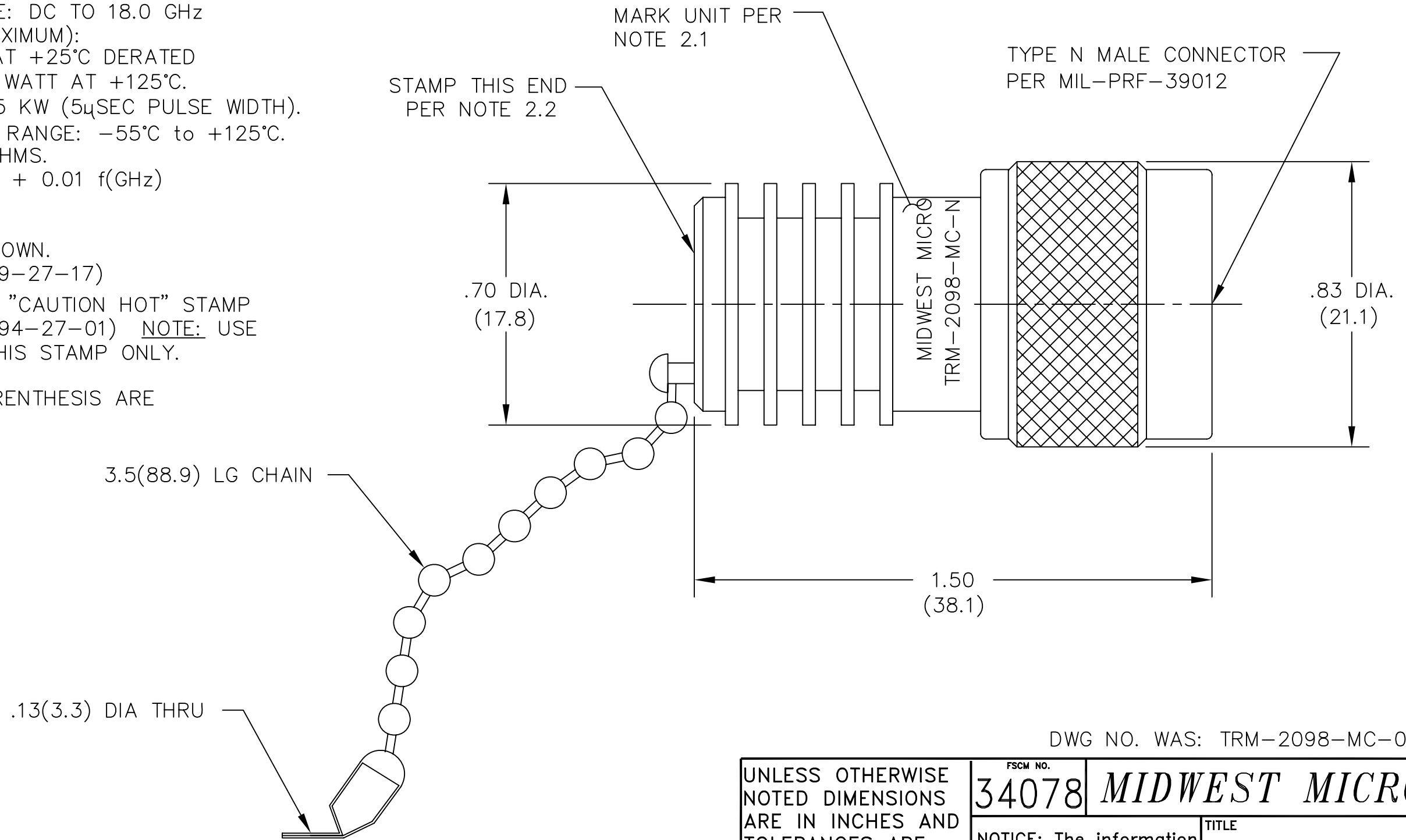
1.0 ELECTRICAL SPECIFICATIONS

- 1.1 FREQUENCY RANGE: DC TO 18.0 GHz
- 1.2 INPUT POWER (MAXIMUM):
10 WATTS AVG. AT +25°C DERATED
LINEARLY TO 1.0 WATT AT +125°C.
- 1.3 PEAK POWER: 0.25 KW (5μSEC PULSE WIDTH).
- 1.4 OPERATING TEMP. RANGE: -55°C to +125°C.
- 1.5 IMPEDANCE: 50 OHMS.
- 1.6 VSWR (MAX.): 1.05 + 0.01 f(GHz)

2.0 MARKING

- 2.1 MARK UNIT AS SHOWN.
(REF: INK-02639-27-17)
- 2.2 STAMP END WITH "CAUTION HOT" STAMP
(REF.: INK-04494-27-01) NOTE: USE
RED INK FOR THIS STAMP ONLY.

3.0 DIMENSIONS IN PARENTHESIS ARE
MILLIMETERS.



REV.	DESCRIPTION	DATE
-	RELEASED	7/27/90
-1	UPDATE MODEL NO.	5/17/91
A	UPDATE MARKING/SPECS	6/15/93
B	ECN 13716	6/23/94
B1	ADDED TITLEBLOCK	10/31/05

UNLESS OTHERWISE NOTED DIMENSIONS ARE IN INCHES AND TOLERANCES ARE:		FSCM NO. 34078		MIDWEST MICROWAVE	
3 PLACE DECIMALS ±.005 2 PLACE DECIMALS ±.02 FRACTIONS ±1/64 PARALLELITY: T.I.R. _____ FLATNESS: T.I.R. _____ CONCENTRICITY: T.I.R. _____ ANGLES AND PERPENDICULARITY: ±1°		NOTICE: The information contained in this drawing is proprietary and must not be used without the permission of Midwest Microwave		TITLE TERMINATION - TYPE N	
DRAWN/DATE D.ESTY 7/23/90		ENG./DATE R.ANDERSON 7/27/90		DRAWING NUMBER TRM-2098-MC-NNN-07	
CHECKED/DATE A.BEATTY 7/28/90		APPROVED/DATE		SCALE: 3=1 SHEET 1 of 1	

MODEL NUMBER
TRM-2098-MC-NNN-07
REV.
B1