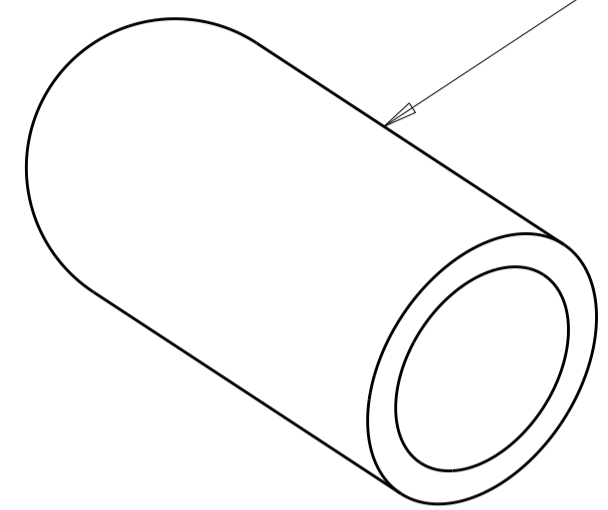


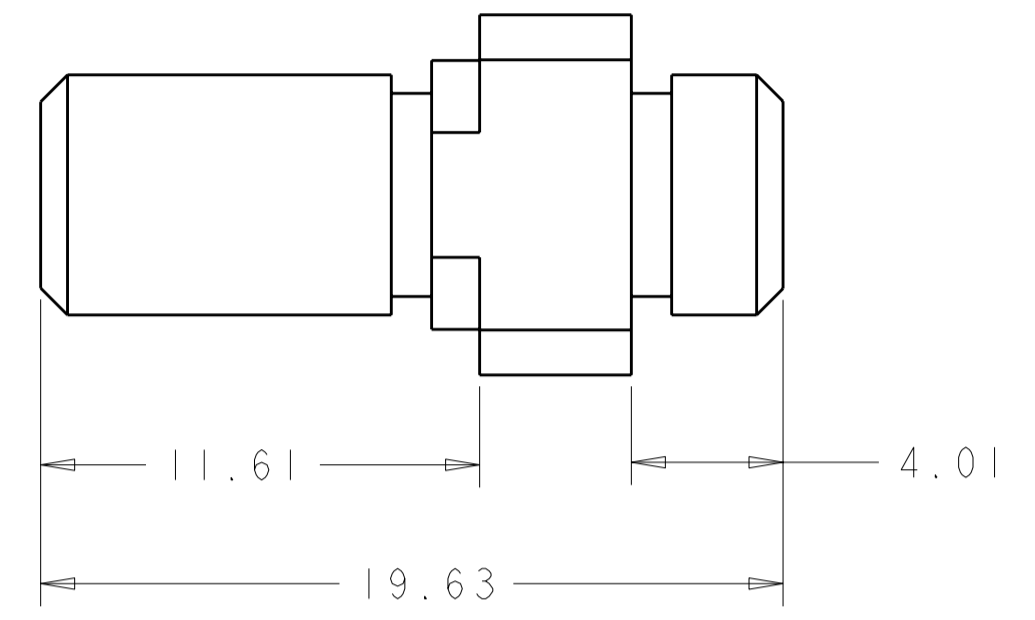
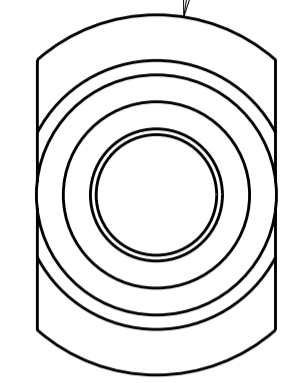
THIS DRAWING IS UNPUBLISHED. RELEASED FOR PUBLICATION 20
 © COPYRIGHT 20 BY - ALL RIGHTS RESERVED.

LOC	DIST	REVISIONS					
CE	00	P	LTR	DESCRIPTION	DATE	DWN	APVD
		B		REVISED PER ECR 11-022976	13NOV2011	DLF	LS

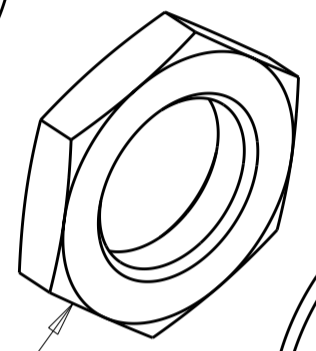
PROTECTIVE CAP



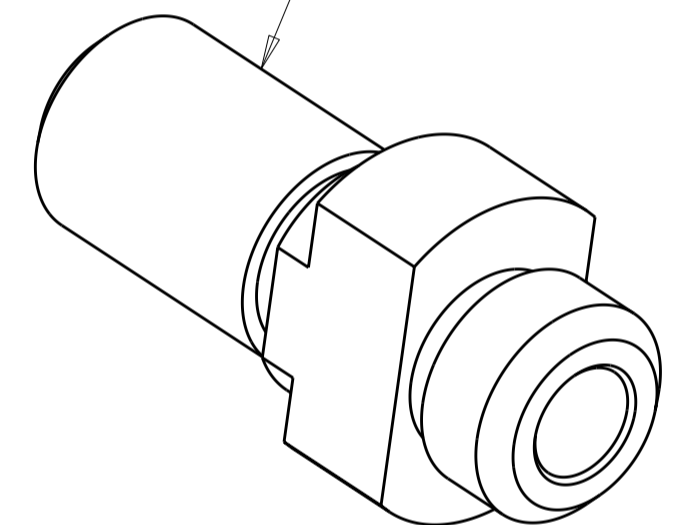
Ø 9.52



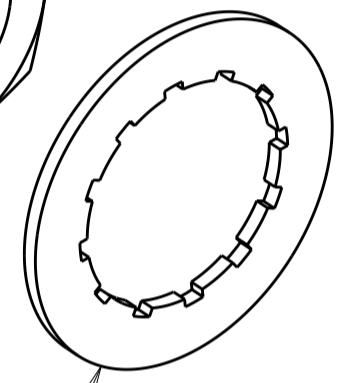
HEX NUT



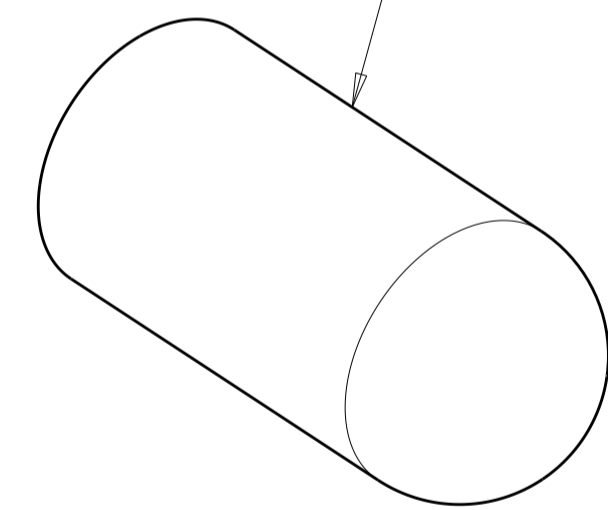
BULKHEAD ADAPTER



LOCK WASHER



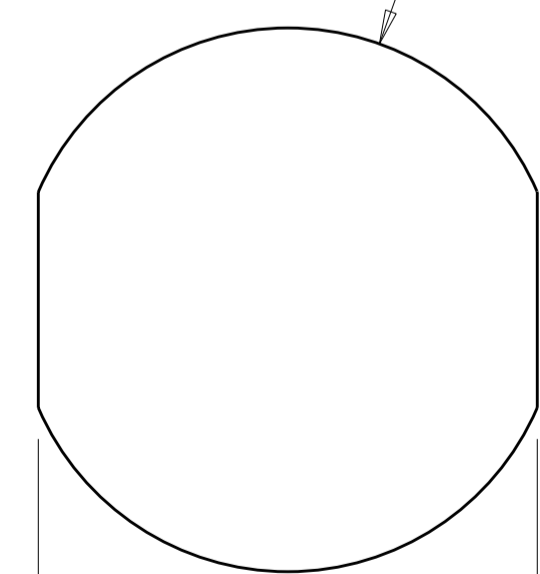
PROTECTIVE CAP



⚠ MATERIAL:
 PROTECTIVE CAP: VINYL, COLOR: RED
 HEX NUT: NICKEL PLATED BRASS
 HEX ADAPTER: NICKEL PLATED BRASS
 LOCK WASHER: STAINLESS STEEL

2. FOR USE WITH 5.29[0.208]
 MAXIMUM PANEL THICKNESS.

Ø 7.19



6.6
MIN

5504026-1
PART NUMBER

THIS DRAWING IS A CONTROLLED DOCUMENT.		DWN B. BRIGGS 08MAY2006	STE TE Connectivity	
DIMENSIONS: mm		CHK L. SAUERWEIN 08MAY2006		
TOLERANCES UNLESS OTHERWISE SPECIFIED:		APVD S. BUCHTER 08MAY2006	NAME BULKHEAD ASSEMBLY, FSMA ADAPTER	
0 PLC ± 1 PLC ± 2 PLC ± 3 PLC ± 4 PLC ± ANGLES ± FINISH		PRODUCT SPEC - APPLICATION SPEC -	SIZE A200779	DRAWING NO C-5504026
MATERIAL -		WEIGHT -	RESTRICTED TO -	
⚠		CUSTOMER DRAWING	SCALE 5:1	SHEET 1 OF 1 REV B