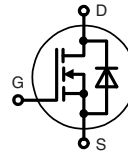


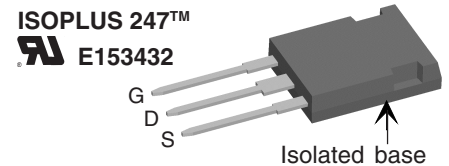
# CoolMOS™ 1) Power MOSFET in ISOPLUS247™ Package

N-Channel Enhancement Mode  
Low  $R_{DS(on)}$ , High  $V_{DSS}$  MOSFET  
Package with Electrically Isolated Base

Preliminary data



$V_{DSS}$	$I_{D25}$	$R_{DS(on)}$
<b>600 V</b>	<b>38 A</b>	<b>70 mΩ</b>



G = Gate    D = Drain    S = Source

MOSFET			
Symbol	Conditions	Maximum Ratings	
$V_{DSS}$	$T_{VJ} = 25^{\circ}\text{C to } 150^{\circ}\text{C}$	600	V
$V_{GS}$		±20	V
$I_{D25}$	$T_C = 25^{\circ}\text{C}$	38	A
$I_{D90}$	$T_C = 90^{\circ}\text{C}$	25	A
$dv/dt$	$V_{DS} < V_{DSS}; I_F \leq 50\text{A};  di_F/dt  \leq 100\text{A}/\mu\text{s}$ $T_{VJ} = 150^{\circ}\text{C}$	6	V/ns
$E_{AS}$	$I_D = 10\text{ A}; L = 36\text{ mH}; T_C = 25^{\circ}\text{C}$	1.8	J
$E_{AR}$	$I_D = 20\text{ A}; L = 5\text{ }\mu\text{H}; T_C = 25^{\circ}\text{C}$	1	mJ

## Features

- ISOPLUS247™ package with DCB Base
  - Electrical isolation towards the heatsink
  - Low coupling capacitance to the heatsink for reduced EMI
  - High power dissipation
  - High temperature cycling capability of chip on DCB
  - JEDEC TO-247AD compatible
  - Easy clip assembly
- fast CoolMOS™ 1) power MOSFET 3<sup>rd</sup> generation
  - High blocking capability
  - Low on resistance
  - Avalanche rated for unclamped inductive switching (UIS)
  - Low thermal resistance due to reduced chip thickness
- Enhanced total power density

## Applications

- Switched mode power supplies (SMPS)
- Uninterruptible power supplies (UPS)
- Power factor correction (PFC)
- Welding
- Inductive heating

1) CoolMOS™ is a trademark of Infineon Technologies AG.

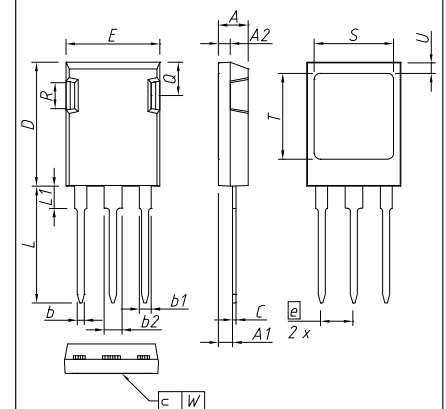
Symbol	Conditions	Characteristic Values ( $T_{VJ} = 25^{\circ}\text{C}$ , unless otherwise specified)		
		min.	typ.	max.
$R_{DS(on)}$	$V_{GS} = 10\text{ V}; I_D = I_{D90}$			70 mΩ
$V_{GS(th)}$	$V_{DS} = 20\text{ V}; I_D = 3\text{ mA};$	2.1		3.9 V
$I_{DSS}$	$V_{DS} = V_{DSS}; V_{GS} = 0\text{ V}; T_{VJ} = 25^{\circ}\text{C}$ $T_{VJ} = 125^{\circ}\text{C}$		60	25 μA μA
$I_{GSS}$	$V_{GS} = \pm 20\text{ V}; V_{DS} = 0\text{ V}$			100 nA
$Q_g$ $Q_{gs}$ $Q_{gd}$	} $V_{GS} = 10\text{ V}; V_{DS} = 350\text{ V}; I_D = 50\text{ A}$		250	nC
			25	nC
			120	nC
$t_{d(on)}$ $t_r$ $t_{d(off)}$ $t_f$	} $V_{GS} = 10\text{ V}; V_{DS} = 380\text{ V};$ $I_D = 50\text{ A}; R_G = 1.8\text{ }\Omega$		20	ns
			30	ns
			110	ns
			10	ns
$V_F$	(reverse conduction) $I_F = 20\text{ A}; V_{GS} = 0\text{ V}$	0.9	1.1	V
$R_{thJC}$				0.45 K/W

### Component

Symbol	Conditions	Maximum Ratings	
$V_{ISOL}$	$I_{ISOL} \leq 1 \text{ mA}; 50/60 \text{ Hz}$	2500	V~
$T_{VJ}$		-40...+150	°C
$T_{stg}$		-40...+125	°C
$T_L$	1.6 mm from case for 10 s	300	°C
$F_c$	mounting force with clip	20 ... 120	N

Symbol	Conditions	Characteristic Values		
		min.	typ.	max.
$C_p$	coupling capacity between shorted pins and mounting tab in the case		30	pF
$R_{thCH}$	with heatsink compound		0.25	K/W
<b>Weight</b>			6	g

### ISOPLUS247™ OUTLINE



DIM.	MILLIMETER		INCHES	
	MIN	MAX	MIN	MAX
A	4,83	5,21	0,190	0,205
A1	2,29	2,54	0,090	0,100
A2	1,91	2,16	0,075	0,085
b	1,14	1,40	0,045	0,055
b1	1,91	2,15	0,075	0,085
b2	2,92	3,20	0,115	0,126
C	0,61	0,83	0,024	0,033
D	20,80	21,34	0,819	0,840
E	15,75	16,13	0,620	0,635
e	5,45 BSC		0,215 BSC	
L	19,81	20,60	0,780	0,811
L1	3,81	4,38	0,150	0,172
Q	5,59	6,20	0,220	0,244
R	4,32	4,85	0,170	0,191
S	13,21	13,72	0,520	0,540
T	15,75	16,26	0,620	0,640
U	1,65	2,03	0,065	0,080
W	-	0,10	-	0,004

The convex bow of substrate is typ. < 0.04 mm over plastic surface level of device bottom side  
 This drawing will meet all dimensions requirement of JEDEC outline TO-247 AD except screw hole and except Lmax.