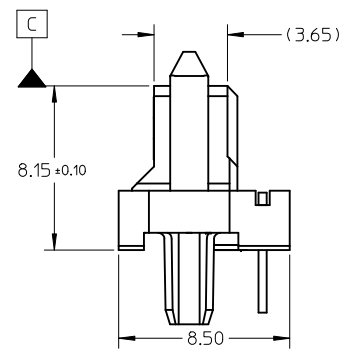
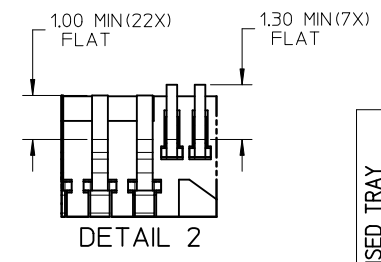
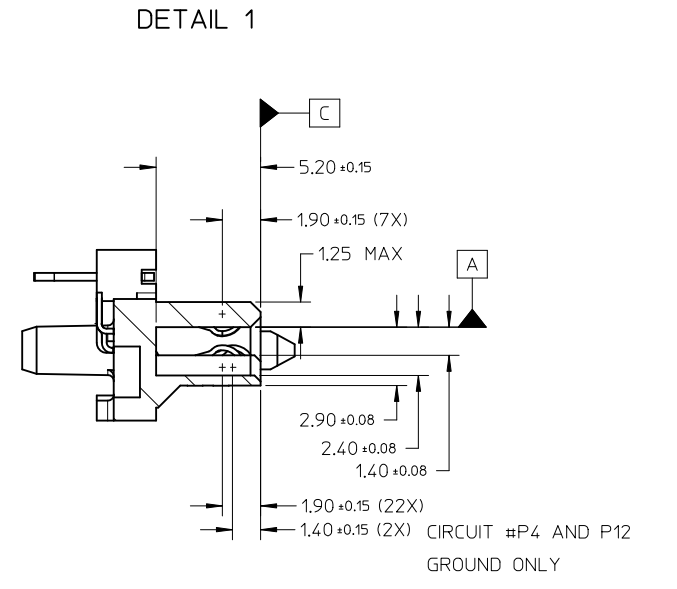
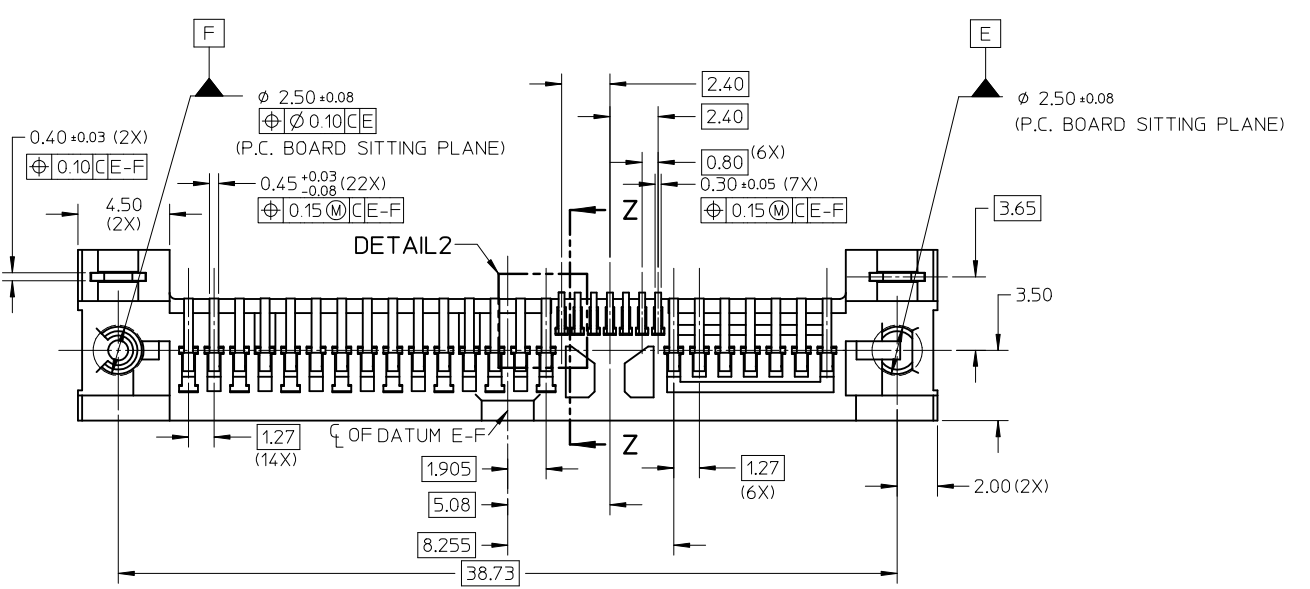
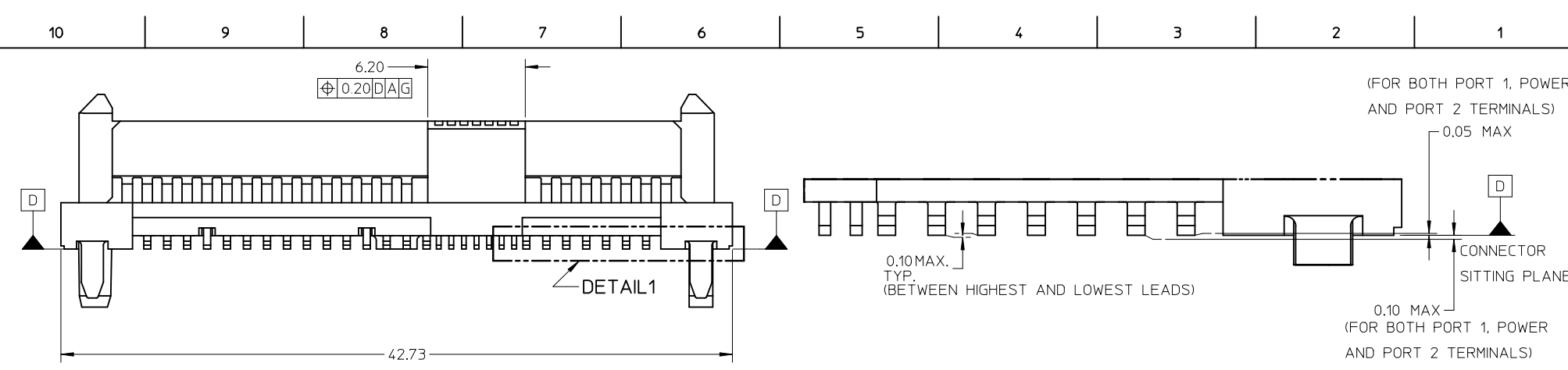


- NOTES:
- MATERIAL: LIQUID CRYSTALLINE POLYMER (LCP). GLASS FILLED UL 94V-0
COLOR: BLACK
TERMINAL: COPPER ALLOY
 - PLATING:
CONTACT: 0.76µm MIN. SELECTIVE GOLD OVER 1.27µm MIN. NICKEL UNDERPLATE
SOLDERTAIL: 2.54µ MIN. TIN OVER 1.27 µm MIN. NICKEL UNDERPLATE
 - MOLEX LOGO LOCATED APPROXIMATELY AS SHOWN
 - PACKAGING: SEE TABLE
 - DATE CODE TO BE LOCATED APPROXIMATELY AS SHOWN.
 - PRODUCT IS COMPLIANT TO RoHS DIRECTIVE WITH THE FOLLOWING BANNED SUBSTANCES - LEAD, MERCURY, CADMIUM, HEXAVALENT CHROMIUM, POLYBROMINATED BIPHENYLS AND POLYBROMINATED DIPHENYL ETHERS.
 - PRODUCT SPECIFICATION PS-87824-029 APPLIES.
 - MATES WITH: SFF-8482 PLUG
SATA PLUG SERIES: 87679, 87703, 87799

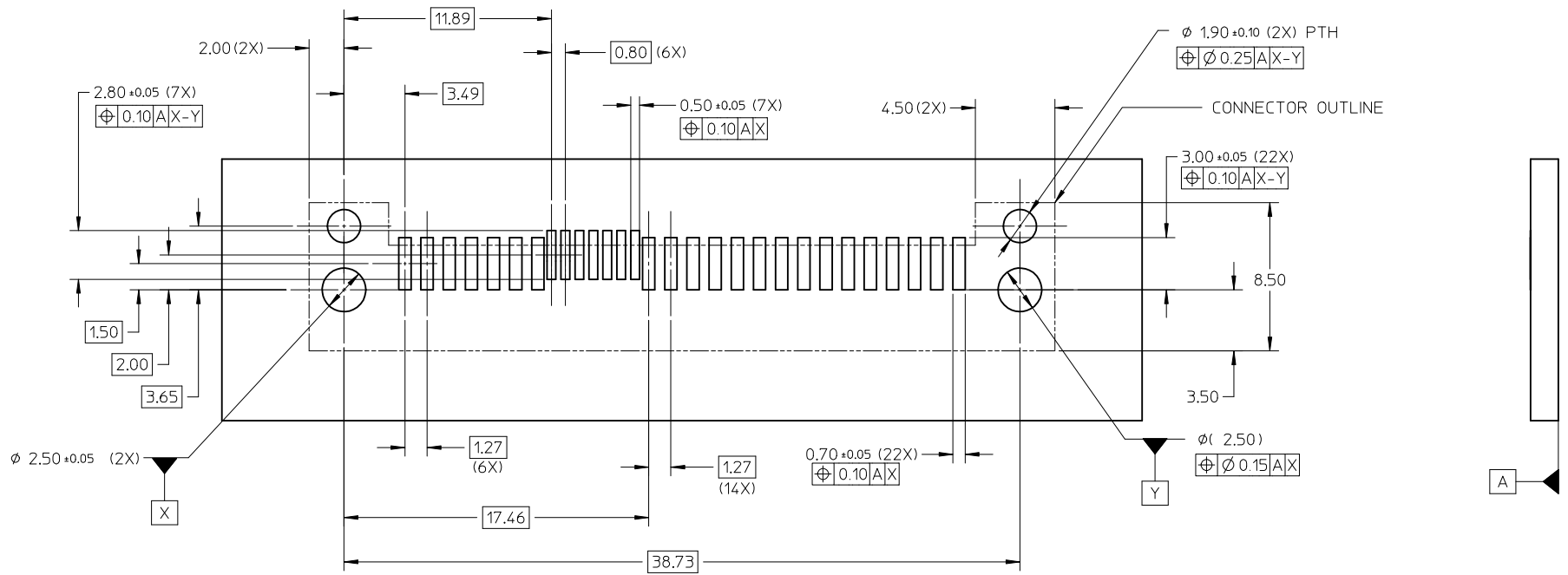


STANDARDISED TRAY EC NO: S2012-0424 DRAWN AT SEE CHKD: SKANG APPR: MLONG 2011/11/22 2011/12/01 2011/12/01	QUALITY SYMBOLS ▽=0 ◻=0	GENERAL TOLERANCES (UNLESS SPECIFIED)		DIMENSION STYLE MM ONLY		SCALE NTS	DESIGN UNITS METRIC	THIRD ANGLE PROJECTION	
			mm	INCH	DRAWN BY KHLIM	DATE 2004/10/12	TITLE SERIAL ATTACH SCSI STD HEIGHT BACKPLANE SMT RECEPT (WITH BLADE)		
		4 PLACES	± ---	± ---	CHECKED BY KCLING	DATE 2004/11/25	MOLEX MOLEX INCORPORATED		
		3 PLACES	± ---	± ---	APPROVED BY SKTOH	DATE 2004/11/26	DOCUMENT NO. SD-87824-027	SHEET NO. 1 OF 4	
			2 PLACES	± 0.20	± ---	DRAFT WHERE APPLICABLE MUST REMAIN WITHIN DIMENSIONS			
			1 PLACE	± ---	± ---	SIZE A3 THIS DRAWING CONTAINS INFORMATION THAT IS PROPRIETARY TO MOLEX INCORPORATED AND SHOULD NOT BE USED WITHOUT WRITTEN PERMISSION			
			ANGULAR ± 3 °						

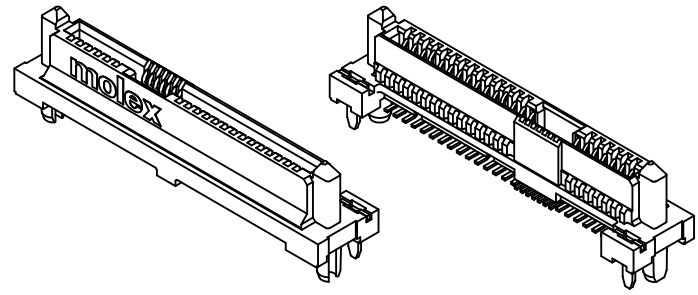


STANDARDISED TRAY EC NO: S2012-0424 DRWN:ATSEE 2011/11/22 CHKD:SKANG 2011/12/01 APPR:MLONG 2011/12/01 REV DESCRIPTION	QUALITY SYMBOLS	GENERAL TOLERANCES (UNLESS SPECIFIED)	DIMENSION STYLE	SCALE	DESIGN UNITS	THIRD ANGLE PROJECTION										
	$\nabla = 0$ $\sphericalangle = 0$	<table border="1"> <tr><th>mm</th><th>INCH</th></tr> <tr><td>4 PLACES ± ---</td><td>± ---</td></tr> <tr><td>3 PLACES ± ---</td><td>± ---</td></tr> <tr><td>2 PLACES ± 0.20</td><td>± ---</td></tr> <tr><td>1 PLACE ± ---</td><td>± ---</td></tr> </table>	mm	INCH	4 PLACES ± ---	± ---	3 PLACES ± ---	± ---	2 PLACES ± 0.20	± ---	1 PLACE ± ---	± ---	MM ONLY	NTS	METRIC	
	mm	INCH														
	4 PLACES ± ---	± ---														
	3 PLACES ± ---	± ---														
2 PLACES ± 0.20	± ---															
1 PLACE ± ---	± ---															
	ANGULAR ± 3 °	DRAWN BY: KHL IM	DATE: 2004/10/12	TITLE: SERIAL ATTACH SCSI STD HEIGHT BACKPLANE SMT RECEPT (WITH BLADE)												
		CHECKED BY: KCL ING	DATE: 2004/11/25	MOLEX INCORPORATED												
		APPROVED BY: SKTOH	DATE: 2004/11/26	DOCUMENT NO. SD-87824-027												
				SHEET NO. 2 OF 4												
		DRAFT WHERE APPLICABLE MUST REMAIN WITHIN DIMENSIONS	SIZE: A3	THIS DRAWING CONTAINS INFORMATION THAT IS PROPRIETARY TO MOLEX INCORPORATED AND SHOULD NOT BE USED WITHOUT WRITTEN PERMISSION												

PART NO	PACKAGING	QUANTITY	PICK AND PLACE CAP
87824-0003	TRAY	50/TRAY	YES
87824-0005	TRAY	50/TRAY	NO
87824-0007	TAPE AND REEL	350/REEL	YES



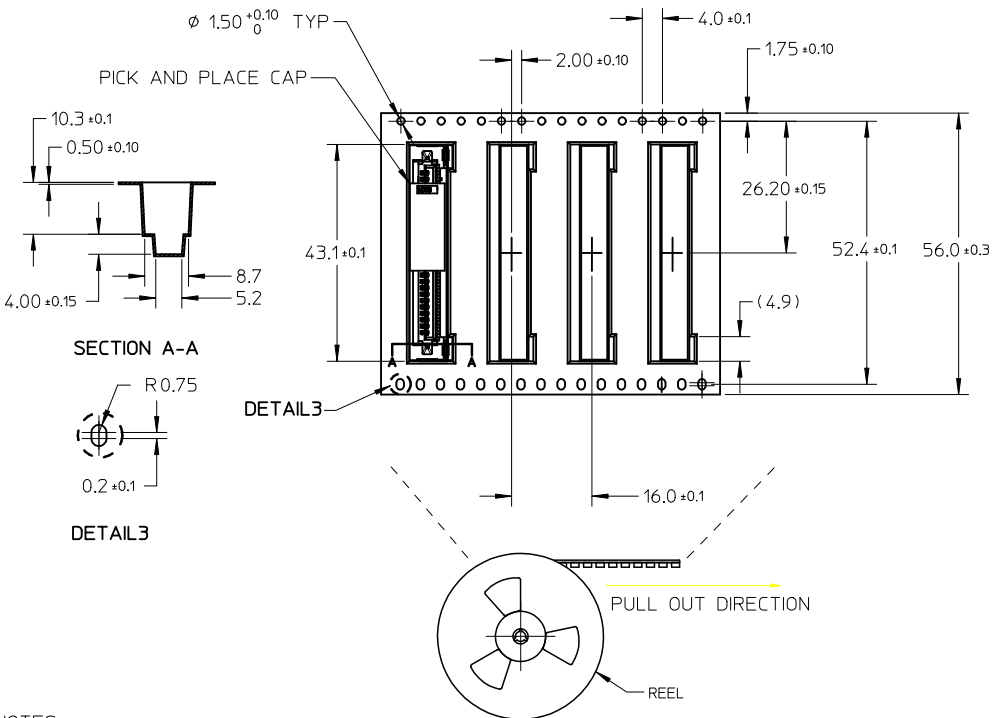
RECOMMENDED PCB LAYOUT
THICKNESS: 1.60±0.10



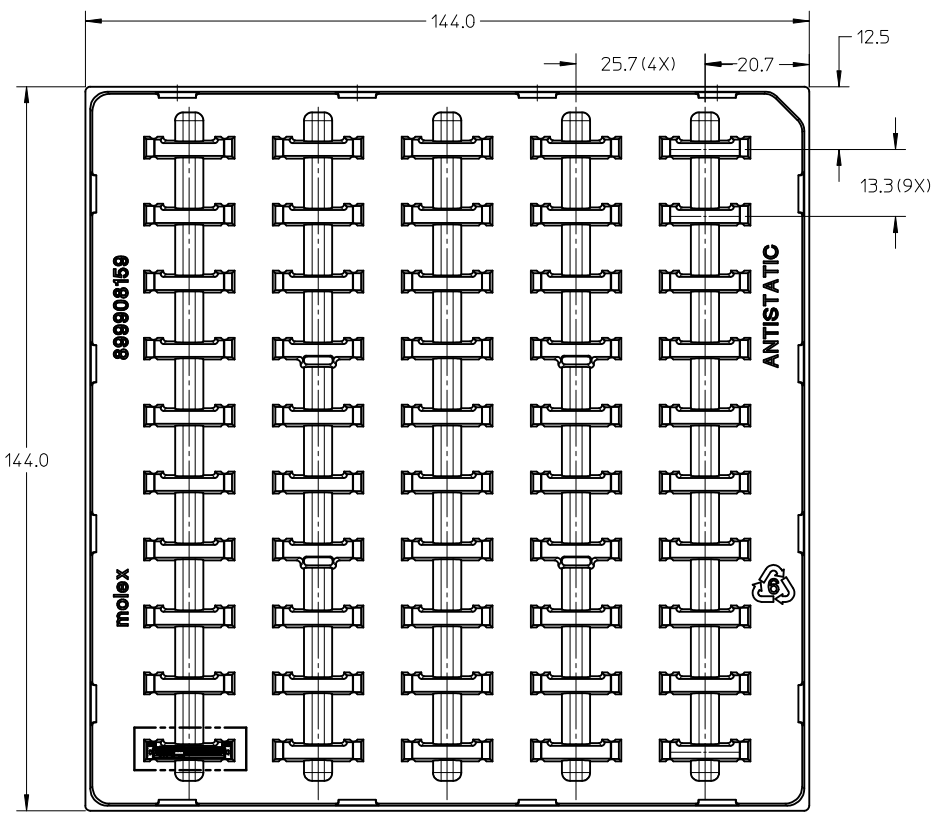
STANDARDISED TRAY EC NO: S2012-0424 DRWN:ATSEE CHKD:SKANG APPR:MLONG 2011/11/22 2011/12/01 2011/12/01	QUALITY SYMBOLS ▽=0 ◻=0	GENERAL TOLERANCES (UNLESS SPECIFIED) <table border="1"> <thead> <tr> <th></th> <th>mm</th> <th>INCH</th> </tr> </thead> <tbody> <tr> <td>4 PLACES</td> <td>± ---</td> <td>± ---</td> </tr> <tr> <td>3 PLACES</td> <td>± ---</td> <td>± ---</td> </tr> <tr> <td>2 PLACES</td> <td>± 0.20</td> <td>± ---</td> </tr> <tr> <td>1 PLACE</td> <td>± ---</td> <td>± ---</td> </tr> </tbody> </table>		mm	INCH	4 PLACES	± ---	± ---	3 PLACES	± ---	± ---	2 PLACES	± 0.20	± ---	1 PLACE	± ---	± ---	DIMENSION STYLE MM ONLY	SCALE NTS	DESIGN UNITS METRIC	THIRD ANGLE PROJECTION
		mm	INCH																		
	4 PLACES	± ---	± ---																		
	3 PLACES	± ---	± ---																		
2 PLACES	± 0.20	± ---																			
1 PLACE	± ---	± ---																			
REV A5	DESCRIPTION DRAFT WHERE APPLICABLE MUST REMAIN WITHIN DIMENSIONS	DRAWN BY KHL IM DATE 2004/10/12	CHECKED BY KCL ING DATE 2004/11/25	APPROVED BY SKTOH DATE 2004/11/26	TITLE SERIAL ATTACH SCSI STD HEIGHT BACKPLANE SMT RECEPT (WITH BLADE)	MATERIAL NO. SEE TABLE															
		ANGULAR ± 3 °	SKTOH 2004/11/26	MOLEX INCORPORATED	DOCUMENT NO. SD-87824-027	SHEET NO. 3 OF 4															
			SIZE A3	THIS DRAWING CONTAINS INFORMATION THAT IS PROPRIETARY TO MOLEX INCORPORATED AND SHOULD NOT BE USED WITHOUT WRITTEN PERMISSION																	

10 9 8 7 6 5 4 3 2 1

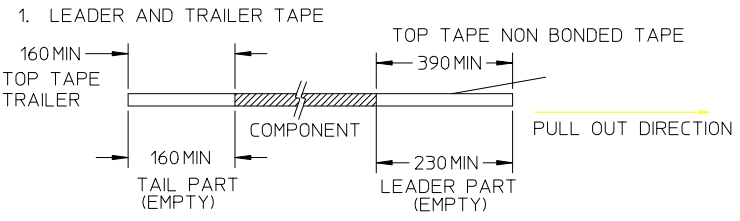
TAPE AND REEL PACKAGING



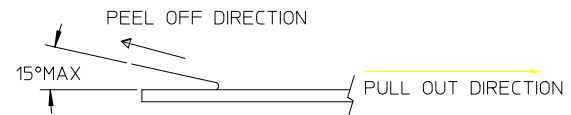
TRAY PACKAGING



NOTES:



2. PEELING OFF FORCE OF THE TOP TAPE: 80gf MAX.
(PEELING DIRECTION AS SHOWN IN FOLLOWING FIGURE)



3. PACKAGING QTY: 350 PCS/REEL
4. PACKAGING STANDARD IS AS PER EIA-481.
5. CONNECTOR COMES WITH PICK AND PLACE CAP.

NOTES:

1. PACKAGING QTY: 50PCS/TRAY
2. NO PICK AND PLACE CAP

STANDARDISED TRAY EC NO: S2012-0424 DRAWN: TSEE CHKD: SKANG APPR: MLONG	2011/11/22	2011/12/01	2011/12/01
	REV	DESCRIPTION	
A5			

QUALITY SYMBOLS	▽=0	▽=0
GENERAL TOLERANCES (UNLESS SPECIFIED)	mm	INCH
	4 PLACES ± --- ± ---	3 PLACES ± --- ± ---
	2 PLACES ± 0.20 ± ---	1 PLACE ± --- ± ---
	ANGULAR ± 3 °	
DRAFT WHERE APPLICABLE MUST REMAIN WITHIN DIMENSIONS		

DIMENSION STYLE		SCALE	DESIGN UNITS	THIRD ANGLE PROJECTION
MM ONLY		NTS	METRIC	
DRAWN BY	DATE	TITLE		
KHL IM	2004/10/12	SERIAL ATTACH SCSI		
CHECKED BY	DATE	STD HEIGHT BACKPLANE SMT		
KCL ING	2004/11/25	RECEPT (WITH BLADE)		
APPROVED BY	DATE	MOLEX INCORPORATED		
SKTOH	2004/11/26			
MATERIAL NO.	DOCUMENT NO.	SHEET NO.		
SEE TABLE	SD-87824-027	4 OF 4		

SERIAL ATTACH SCSI		SHEET NO.	
STD HEIGHT BACKPLANE SMT		4 OF 4	
RECEPT (WITH BLADE)			
MOLEX INCORPORATED			
SD-87824-027			
THIS DRAWING CONTAINS INFORMATION THAT IS PROPRIETARY TO MOLEX INCORPORATED AND SHOULD NOT BE USED WITHOUT WRITTEN PERMISSION			

9 8 7 6 5 4 3 2 1