

4

3

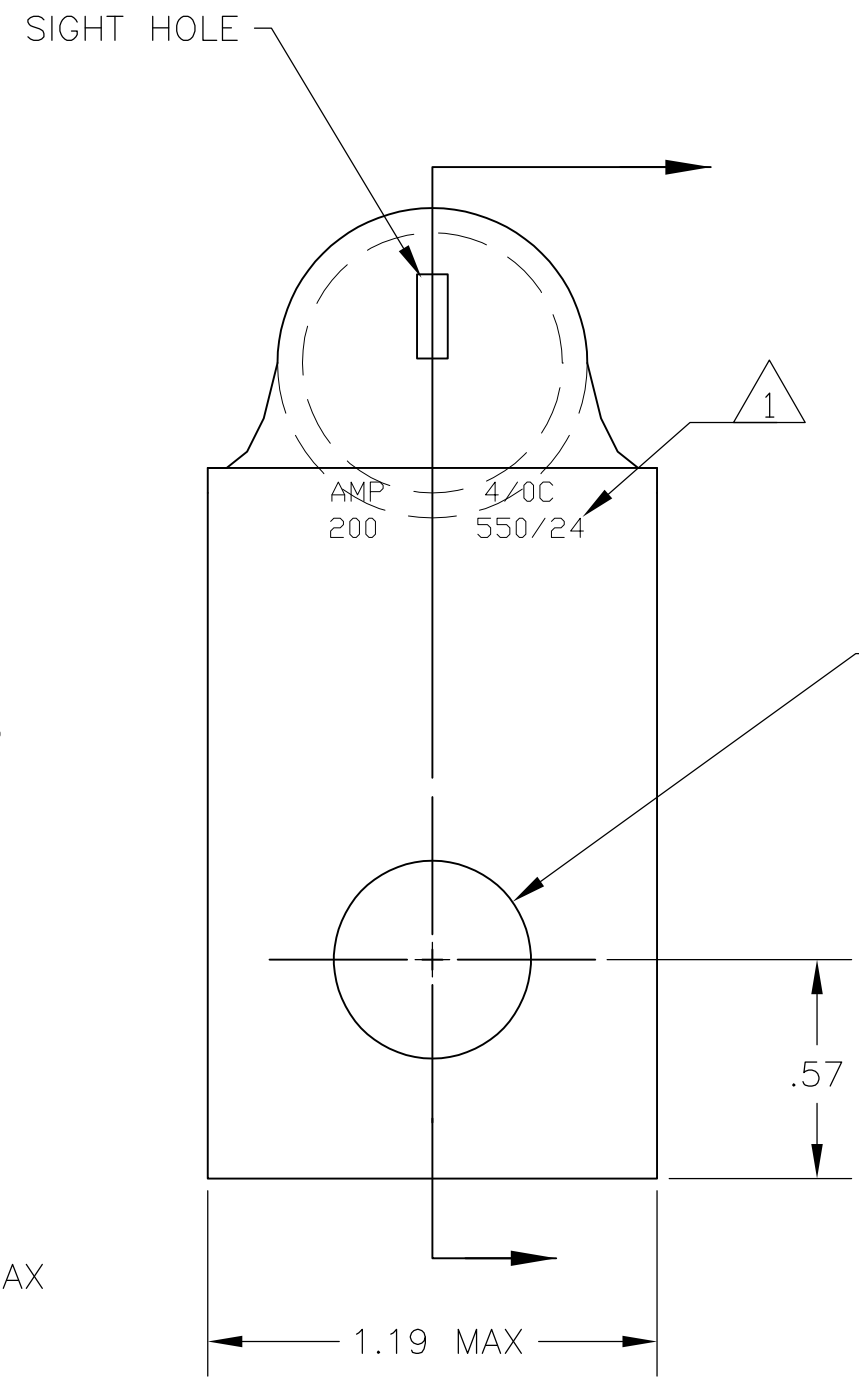
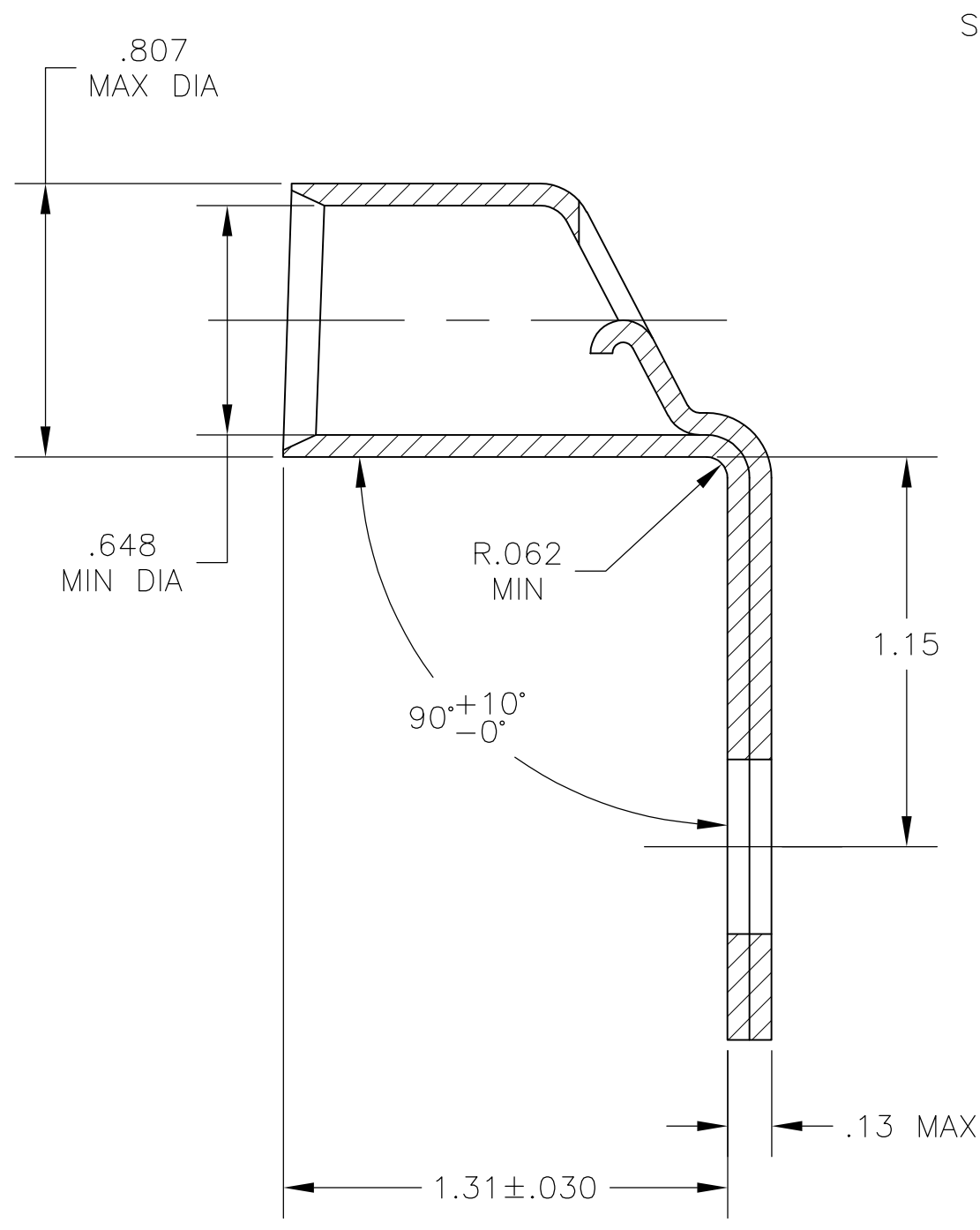
2

1

THIS DRAWING IS UNPUBLISHED. RELEASED FOR PUBLICATION
 © COPYRIGHT - BY TYCO ELECTRONICS CORPORATION. ALL RIGHTS RESERVED.

LOC	DIST	REVISIONS					
G	86	P	LTR	DESCRIPTION	DATE	DWN	APVD
		A1		REL PER ECR 08-018657	24JUL08	JR	RL

- 1 STAMP " AMP 4/0C 200 550/24" APPROX AS SHOWN.
- 2 MATERIAL: COPPER PER ASTM B-75, ANNEALED
- 3 FINISH: TIN PLATE .000150 MIN THK PER ASTM B-545



696764-1
 PART NO.

AMP INCORPORATED CUSTOMER SERVICE SYSTEMS	
FOR ADDITIONAL PRODUCT INFORMATION OR COPIES OF DRAWINGS AND TECHNICAL DOCUMENTS	PRODUCT INFORMATION CENTER 1-800-522-6752
FOR APPLICATION TOOLING INFORMATION	TOOLING ASSISTANCE CENTER 1-800-722-1111
FOR ORDER ENTRY	1-800-526-5142

MAX RECOMMENDED OPERATING TEMPERATURE: 170°C MAX
VOLTAGE RATING: N/A
CIRCULAR MIL AREA: 100-125mm ² [190,000-231,000] STRANDED

THIS DRAWING IS A CONTROLLED DOCUMENT.	
DIMENSIONS: INCHES	TOLERANCES UNLESS OTHERWISE SPECIFIED:
	0 PLC ± -
	1 PLC ± -
	2 PLC ± .02
	3 PLC ± .008
	4 PLC ± -
	ANGLES ± -
MATERIAL	FINISH
- 2	- 3

DWN jr_ruth 16FEB05	Tyco Electronics Corporation Harrisburg, Pa 17105-3608		
CHK MJ SPICER 16FEB05			
APVD MJ SPICER 16FEB05	NAME		
PRODUCT SPEC	TERMINAL, AMPOWER WIRE SIZE: 4/0		
APPLICATION SPEC	SIZE	CAGE CODE	DRAWING NO
WEIGHT -	A3	00779	G-696764
CUSTOMER DRAWING		SCALE 1:1	SHEET 1 OF 1
			REV A1