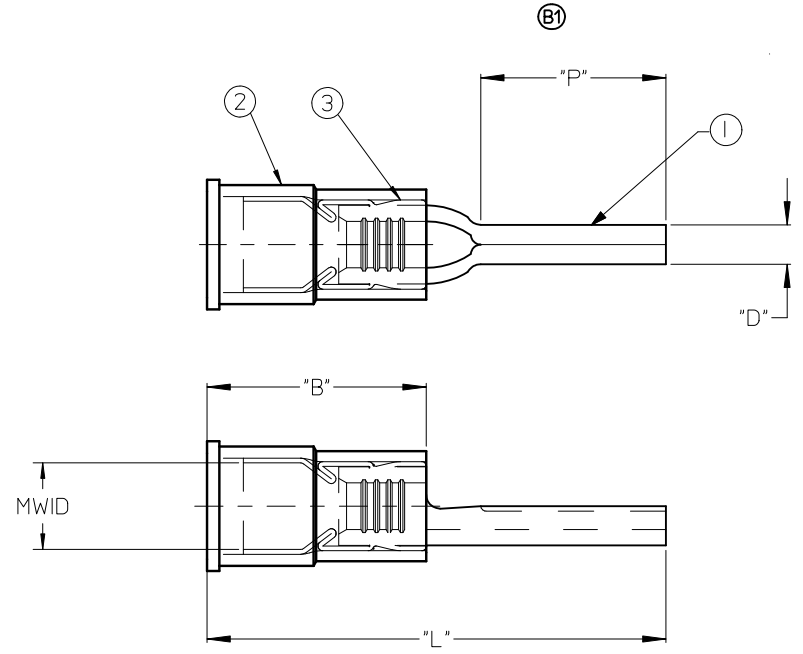


MATERIAL NUMBER	ENGINEERING NUMBER	AWG WIRE RANGE	LENGTH "L" MAX	PIN LENGTH "P" MIN (B1)	PIN DIAM. "D" ±.01/0.3	MWID	INSULATION COLOR	B MAX
192130001	WP-5210	12-10	1.24/31.5 (B1)	.35/8.9	.107/2.72	.22/5.6	YELLOW	.68/17.3
192130005	WP-5614	16-14	1.05/26.7	.35/8.9	.078/1.98	.17/4.3	BLUE	.55/14.0
192130003	WP-5218	22-18	1.05/26.7	.41/10.4	.078/1.98	.14/3.6	RED	.55/14.0



ITEM	QTY	DESCRIPTION	MATERIAL	FINISH
3	1	FERRULE PLATED	COPPER ALLOY	TIN PLATING
2	1	600V AVIK MLD INS	NYLON	SEE CHART
1	1	WIRE PIN KRIMPTITE	COPPER C11000	TIN PLATING

- NOTES:
1. MATERIAL: SEE CHART
  2. FINISH: SEE CHART
  3. PARTS ARE ROHS COMPLIANT.
  4. MWID = MAXIMUM WIRE INSULATION DIAMETER

<b>CORRECT TOLERANCES</b> EC NO: WNA2009-0437 DRW: WNETHRODAHL 2010/02/19 CHKD: JMACNEIL 2010/03/01 APPR: JMACNEIL 2010/03/18	QUALITY SYMBOLS ▽=0 ▽7=0	GENERAL TOLERANCES (UNLESS SPECIFIED) mm INCH 4 PLACES ±--- ±--- 3 PLACES ±--- ±--- 2 PLACES ±--- ±--- 1 PLACE ±--- ±--- ANGULAR ±---°	DIMENSION STYLE IN/MM DRAWN BY ASAYDEH DATE 06/03/17 CHECKED BY RDEROSS DATE 06/03/17 APPROVED BY JMACNEIL DATE 2010/03/18	SCALE 4:1 DESIGN UNITS INCH THIRD ANGLE PROJECTION	TITLE AVIKRIMP WIRE PIN TERMINAL
	DRAFT WHERE APPLICABLE MUST REMAIN WITHIN DIMENSIONS	MATERIAL NO. SEE CHART	DOCUMENT NO. SD-19213-001	SHEET NO. 1 OF 1	
	THIS DRAWING CONTAINS INFORMATION THAT IS PROPRIETARY TO MOLEX INCORPORATED AND SHOULD NOT BE USED WITHOUT WRITTEN PERMISSION				
	MOLEX INCORPORATED				