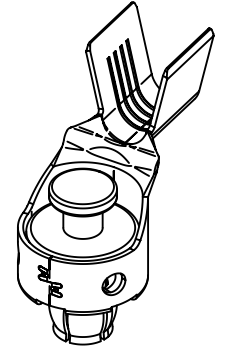
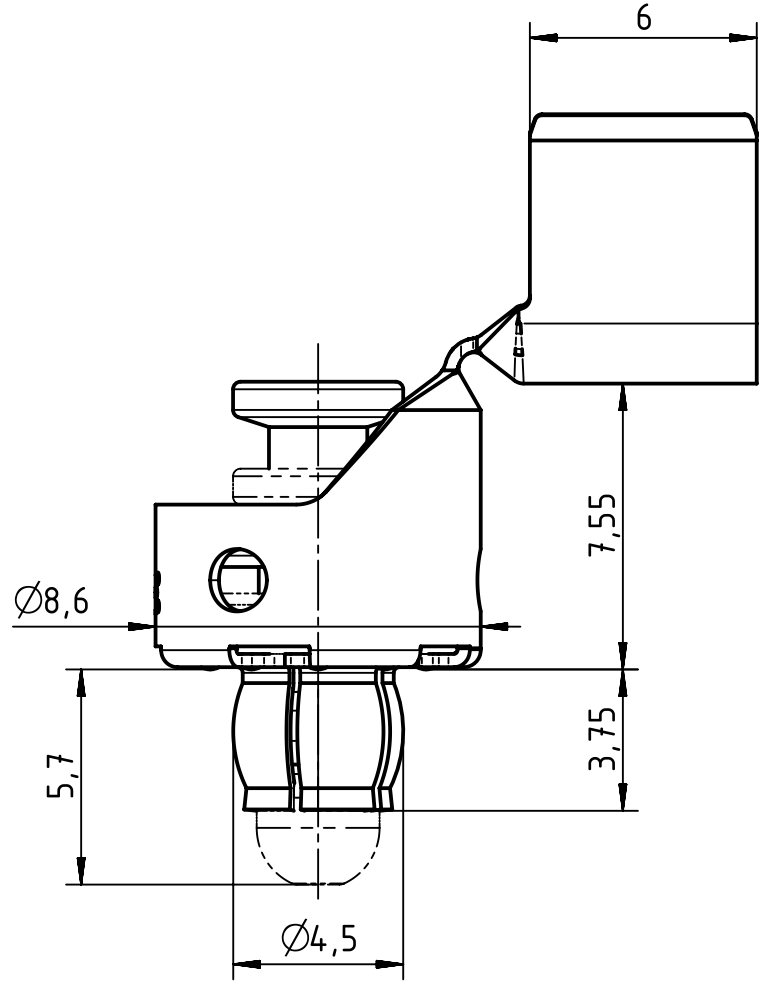
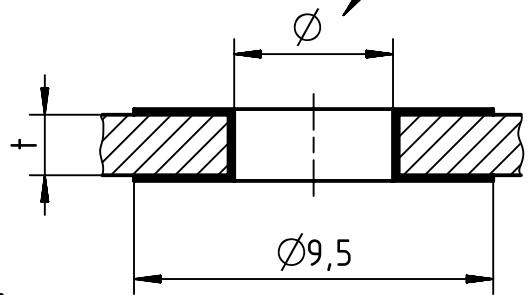


t	∅
1,6-3,2	4,4 ^{+0,05} _{-0,04}

PCB lay-out finished hole



	All rights reserved Department EL PD - DE	All Dimensions in mm Original Size DIN A4		Scale 5:1	Free size tol.		Ref.	
		HARTING Electric GmbH & Co. KG D-32339 Espelkamp		Created by DEIMEL		Inspected by SCHNIEDER	Standardisation TIEMANNA	Date 2016-03-30
Title Han Fast-Lock 10qmm ang.silverplate.+pin							Doc-Key / ECM-Nr. 100609057/UGD/001/B 500000102451	
Type TB			Number 09 08 000 7224				Rev. B	Page 1/1