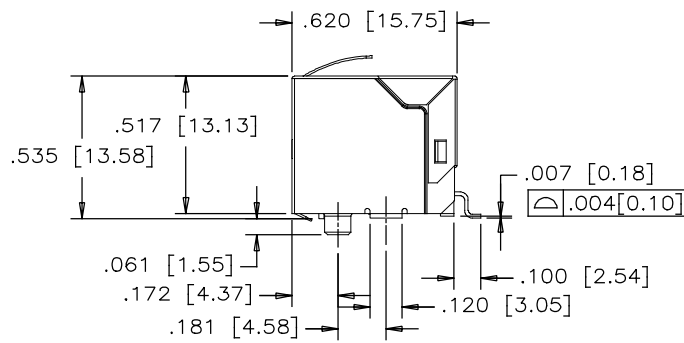
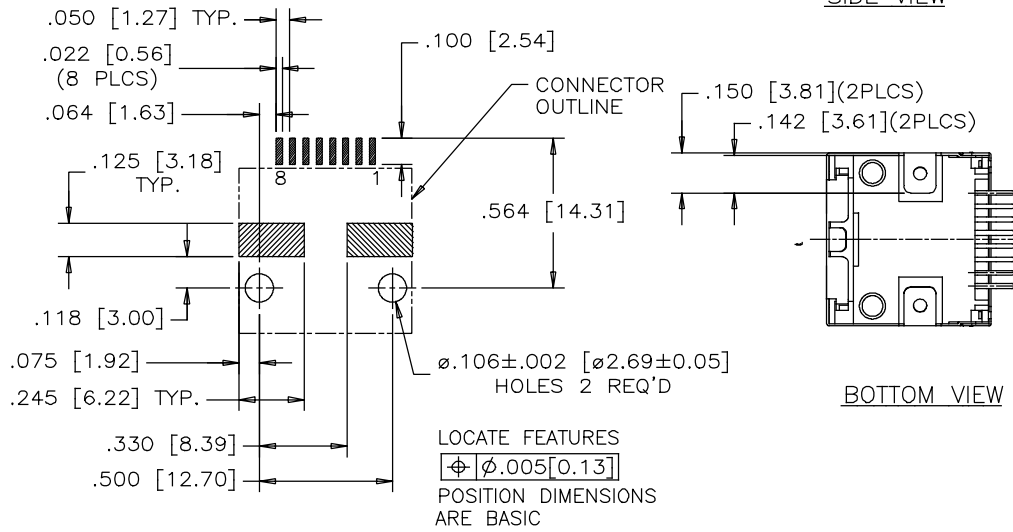


FRONT VIEW

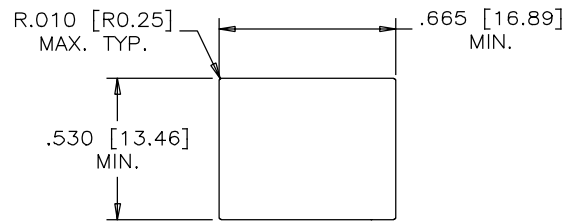


SIDE VIEW



BOTTOM VIEW

RECOMMENDED P.C.B. LAYOUT
(COMPONENT SIDE OF BOARD)



RECOMMENDED PANEL CUTOUT

REVISIONS				
SYM	ZONE	ECN, ERN NO.	DATE	APPRD.
B		REVISED	2005/07/17	L.CHAN
C		REVISED BOTTOM VIEW	2005/07/25	L.CHAN
D		UPDATE DRAWING	2015/3/12	L.CHAN
E		CORRECT DIMENSION	2016/01/15	L.CHAN
F		CORRECT DRAWING	2016/09/27	L.CHAN



MATERIALS:

PLASTIC HOUSING: ENGINEERING THERMOPLASTIC
FLAMMABILITY RATING UL 94V-0

CONTACTS:

PHOSPHOR BRONZE
PLATING: 20 μ" [0.51 MICRONS]
MIN. GOLD ON MATING SURFACES.
50 μ" [1.27 MICRONS]
MIN. NICKEL UNDERPLATE
100 μ" [2.54 MICRONS]
MIN. MATTE TIN ON CONTACT TAILS.

SHIELD:

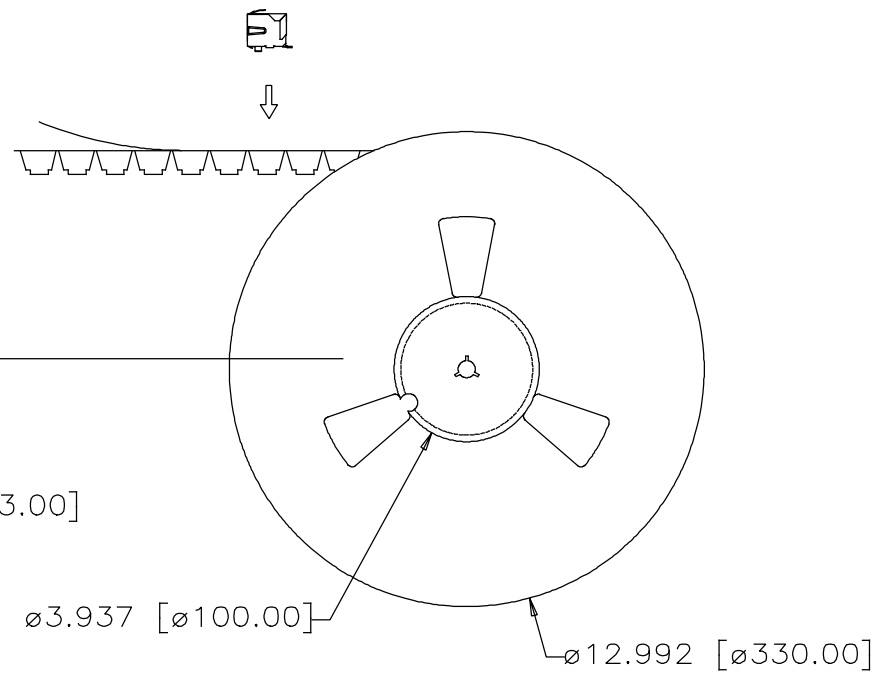
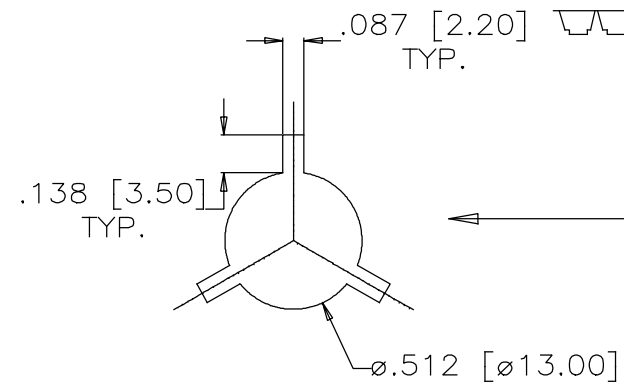
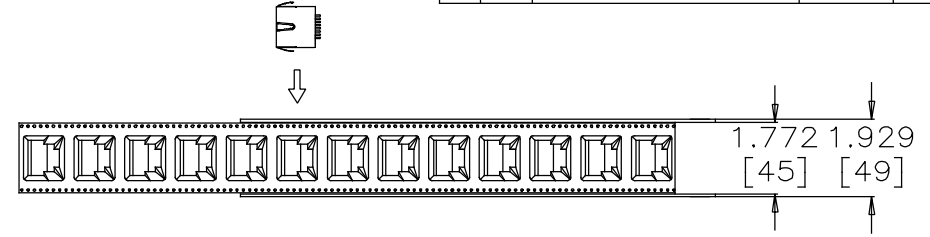
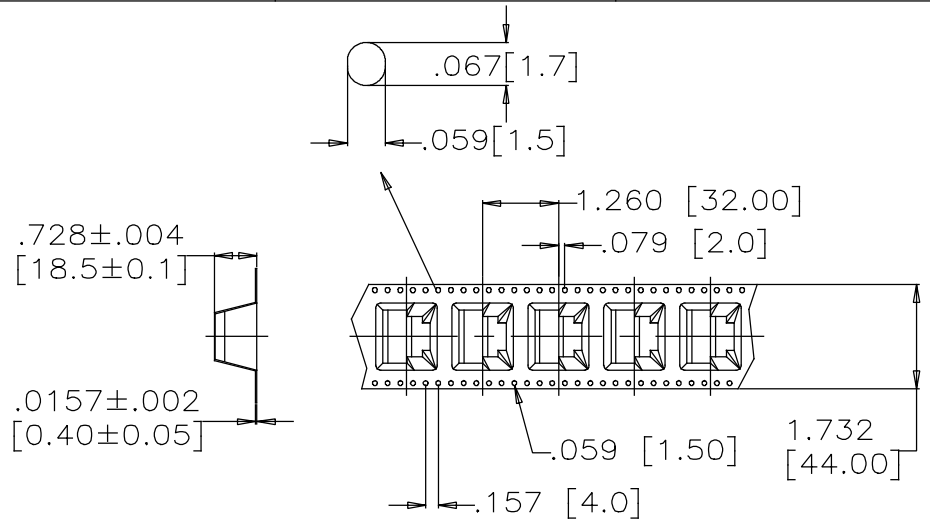
COPPER ALLOY
PLATING: NICKEL

PART NUMBER: RJSSE-5380-01T

DRAWN	Chigow	DATE	2005/07/25	Amphenol Canada Corp.	
DESIGNED					
CHECKED	L.CHAN	DATE	2005/07/25	TITLE SINGLE PORT, SURFACE MOUNT RJ45 8 POSITION, 8 CONTACTS, SHIELDED TAPE & REEL PACKAGING, RoHS COMPLIANT	
I. E. APPRD.					
Q. A. APPRD.					
DWG. APPRD.					
ENG. REL. NO.		DWG	DRAWING NO.	P-RJSSE-5380-01T	
REF.					
DIMENSIONS ARE IN	CODE ID. NO.	SCALE	WT.	SURF.	SHEET 1 OF 2
INCHES [mm]	03554				

THIS DOCUMENT CONTAINS PROPRIETARY INFORMATION AND SUCH INFORMATION MAY NOT BE DISCLOSED TO OTHERS FOR ANY PURPOSE OR USED FOR MANUFACTURING PURPOSES WITHOUT WRITTEN PERMISSION FROM AMPHENOL CANADA CORP.

REVISIONS				
SYM	ZONE	ECN, ERN NO.	DATE	APPRD.
B		REVISED	2005/07/17	L.CHAN
C		REVISED BOTTOM VIEW	2005/07/25	L.CHAN
D		UPDATE DRAWING	2015/03/12	L.CHAN
E		CORRECT DIMENSION	2016/01/15	L.CHAN
F		CORRECT DRAWING	2016/09/27	L.CHAN



PACKAGING NOTES:

- ONE REEL SHOULD HOLD 100 CONNECTORS.
- 10 EMPTY CAVITIES FOR BOTH TOP AND BOTTOM OF THE CARRIER.
- A FULLY LOADED CARTON SHOULD CONTAIN 6 REELS (600 PCS) OF CONNECTOR.

THIS DOCUMENT CONTAINS PROPRIETARY INFORMATION AND SUCH INFORMATION MAY NOT BE DISCLOSED TO OTHERS FOR ANY PURPOSE OR USED FOR MANUFACTURING PURPOSES WITHOUT WRITTEN PERMISSION FROM AMPHENOL CANADA CORP.

MATERIAL	DRAWN <i>Chigow</i>	DATE <i>05/07/25</i>	Amphenol Canada Corp.
	DESIGNED		
FINISH	CHECKED <i>L.CHAN</i>	DATE <i>05/07/25</i>	TITLE SINGLE PORT, SURFACE MOUNT RJ45 8 POSITION, 8 CONTACTS, SHIELDED TAPE & REEL PACKAGING, RoHS COMPLIANT
	I. E. APPRD. <i>X</i>	<i>X</i>	
	Q. A. APPRD. <i>X</i>	<i>X</i>	
	DWG. APPRD. <i>X</i>	<i>X</i>	
	ENG. REL. NO. <i>X</i>		DWG
	REF.		DRAWING NO.
	DIMENSIONS ARE IN INCHES [mm]	CODE ID. NO. 03554	P-RJSSE-5380-01T
			REV. <i>F</i>
	SCALE	WT.	SURF.
			SHEET 2 OF 2