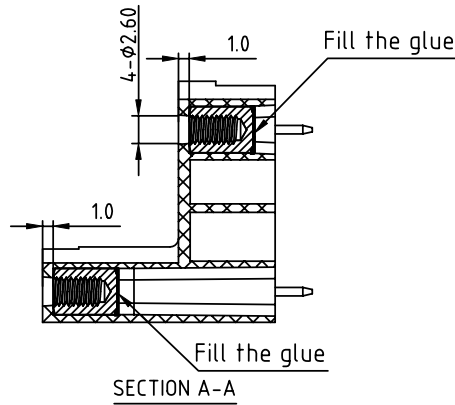
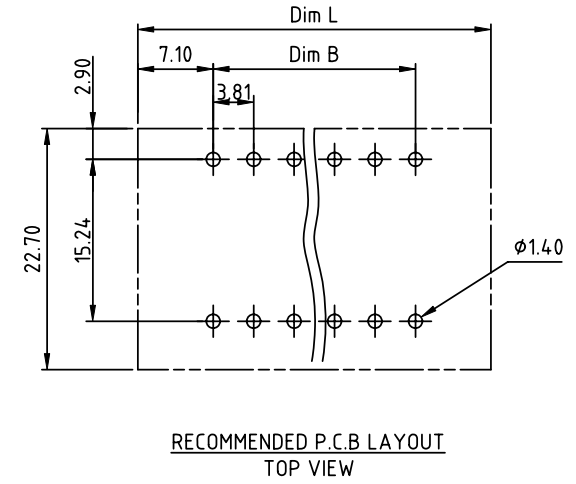
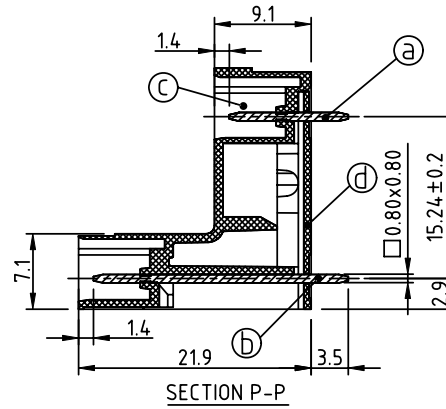
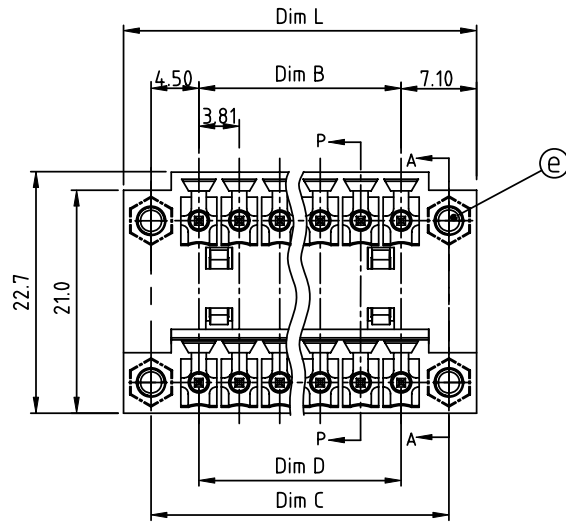


PRODUCT NUMBER	PITCH
VOxx32x000J0G	3.81 mm



N=Number of poles
 Dim L=(N/2-1)×3.81+14.2
 Dim B=(N/2-1)×3.81
 Dim C=(N/2-1)×3.81+9.0
 Dim D=(N/2-1)×3.81

Poles	Tolerance
2×2P-2×5P	±0.15
2×6P-2×10P	±0.20
2×11P-2×15P	±0.25
2×16P-2×20P	±0.30
2×21P-2×24P	±0.35

PART NO.: VO xx 32 x 0 00J0 G

	Color	RoHS compliant (lead<4%) In copper Alloy
Solid block	0 Black (RAL9005)	
No. of poles	2 Red (RAL3001/D)	
04 2x2poles	3 Orange(RAL2011/P)	
06 2x3poles	4 Yellow(RAL1018/A)	
...	5 Green(RAL6018/T)	
48 2x24poles	6 Blue (RAL5015/A)	
	8 Grey(RAL7035/D)	
	9 White(RAL1102)	
	C Green(RAL6018/U)	

Material:

- ItemⒶ Short pin: Copper, Tin plated
- ItemⒹ Long pin: Copper, Tin plated
- ItemⒸ Terminal (housing): Thermoplastic (UL94V-0)
- ItemⒺ Terminal (cover): Thermoplastic (UL94V-0)
- ItemⒺ With flange nut: Brass M2.5

Electrical:

- Voltage rating: 300V
- Current rating: 10A
- Withstanding Voltage: 1.6 KV
- Operating temperature: -40°C to +115°C
- Soldering temperature: 260°C±5°C/5 Sec
- Safety Approval: cULus

mat'l. code		surface ASME Y14.5	tolerance ASME Y14.5	projection	product family
ltr ecn no dr date		tolerances unless otherwise specified		MM	TERMINAL BLOCK
angles		X.±0.5		scale	title
X°±1°		X.X±0.3			TERMINAL BLOCK
dr		X.XX±0.1			PLUGGABLE SOCKET, WITH FLANGE, VERTICAL
enrg		EVIN ZHONG 042914		FCI	dwg no
chr		HANKE FENG 042914			sheet 1 of 1
appd		SHI JUN 042914			size
sheet index		revision sheet		A4	
1		1		type CUSTOMER Drawing	