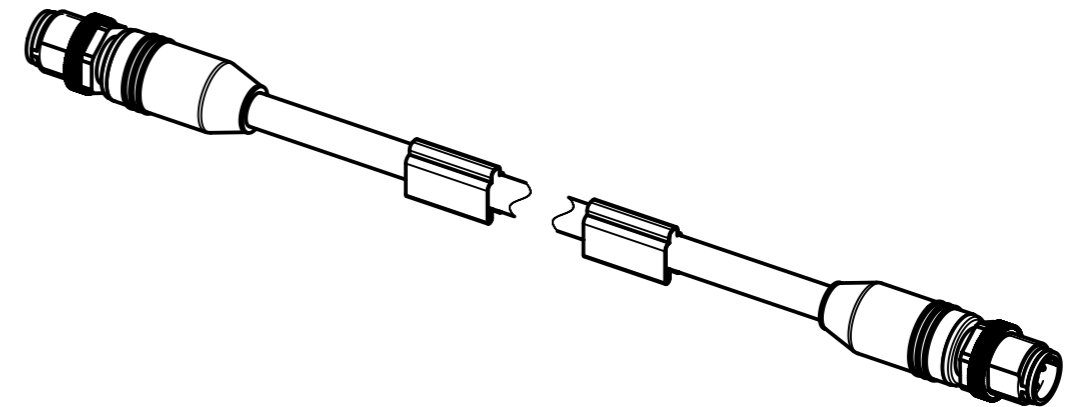
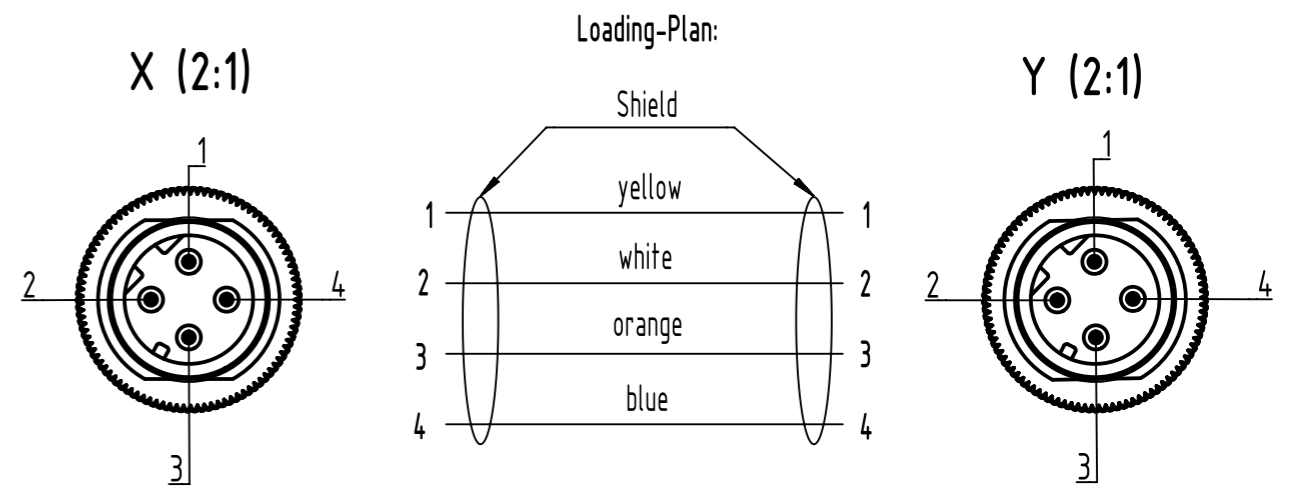


-Transmission properties in accordance with ISO/IEC 11801: Class D
 -Protection level: IP67/65
 -Temperature range: -25°C ...+70°C



20	21034851440	RJ45 Ethernet Trailing Cable AWG22/7, 2x2x0.75, PUR, Cat. 5+	40
19	21034851425		25
18	21034851420		20
17	21034851415		15
16	21034851412		12
15	21034851411		11
14	21034851410		10
13	21034851409		9
12	21034851408		8
11	21034851457		7.5
10	21034851456		6.5
9	21034851406		6
8	21034851405		5
7	21034851454		3.5
6	21034851403		3
5	21034851453		2.5
4	21034851402		2
3	21034851451		1.5
2	21034851401		1
1	21034851452		0.3
Cont. no.	Part no.	Type of cable	Dim. a[m]



All rights reserved Department EC PD - RO	All Dimensions in mm Original Size DIN A3	Scale 1.5:1	Free size tol.	Ref. Sub.
	Created by TOMUTA Inspected by AVRAM Standardisation HOFFMANN	Date 2014-03-11 State Final Release	Title M12 D-coded Cable Assembly Type TB Number 210348514XX	