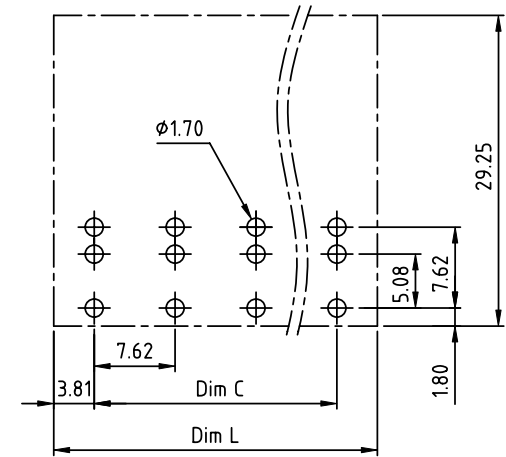
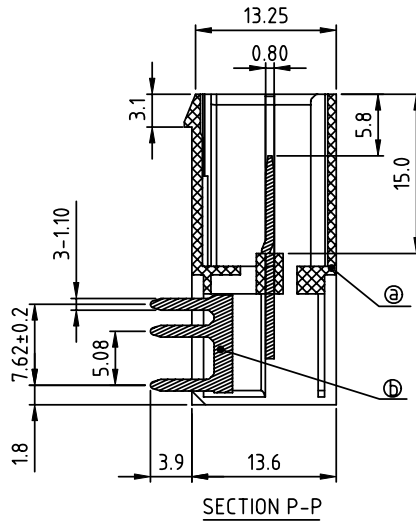
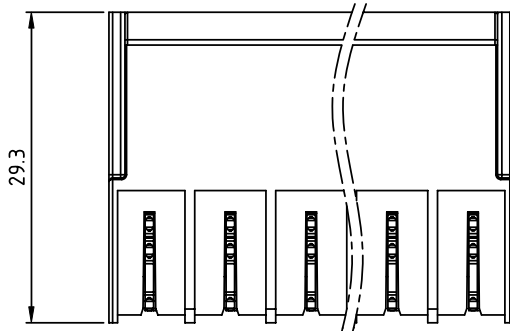
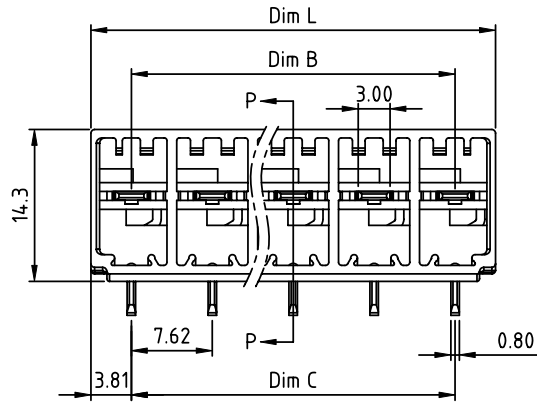


| | |
|----------------|---------|
| PRODUCT NUMBER | PITCH |
| VCxx00xC00J0G | 7.62 mm |



RECOMMENDED P.C.B LAYOUT
TOP VIEW

Material:

- Item ① Terminal(housing):Thermoplastic (UL94V-0)
- Item ② Pin: Copper Tin plated

Electrical: cULus

- Voltage rating:300V
- Current rating:41A
- Withstanding Voltage:1.6 KV
- Operating temperature:-40°C to +115°C
- Soldering temperature:260°C±5°C/5 Sec
- Safety Approval:

DIMENSION

| | |
|-------|------------|
| Dim L | N×7.62 |
| Dim B | (N-1)×7.62 |
| Dim C | (N-1)×7.62 |

N=Number of poles

| Poles | Tolerance |
|---------|-----------|
| 2p-5p | ±0.20 |
| 6p-12p | ±0.30 |
| 13p-16p | ±0.40 |

PART NO.: VCxx00xC00J0G

- | | | | |
|---|--------------|---------------------|---|
| ↓ | Solid block | 0 Black (RAL9005) | RoHS compliant (lead<4%) In copper Alloy |
| ↓ | No. of poles | 2 Red (RAL3001/D) | |
| ↓ | 02 2 poles | 3 Orange(RAL2011/P) | |
| ↓ | 03 3 poles | 4 Yellow(RAL1018/A) | |
| ↓ | ... | 5 Green(RAL6018/T) | |
| ↓ | 16 16 poles | 6 Blue (RAL5015/A) | |
| | | 8 Grey(RAL7035/D) | |
| | | 9 White(RAL1102) | |
| | | C Green(RAL6018/U) | |

| | | | | | |
|-------------|----------------|-----------------------|-------------------------|---------------------------------------|---|
| mat'l. code | | surface ASME Y14.5 | tolerance ASME Y14.5 | projection | product family TERMINAL BLOCK |
| ltr | ecn no | dr | date | | title |
| | | | | tolerances unless otherwise specified | TERMINAL BLOCK PLUGGABLE SOCKET, RIGHT ANGLE THREE TAILS TYPE, MOUNTING UNDER THE PCB |
| | | | | angles φ X°±1° | scale |
| | | | | dr EVIN ZHONG 050714 | sheet 1 of 1 size |
| | | | | enr EVIN ZHONG 050714 | VCxx00xC00J0G A4 |
| | | | | chr HANKE FENG 050714 | type CUSTOMER Drawing |
| | | | | appd SHI JUN 050714 | |
| sheet index | revision sheet | A | 1 | | |