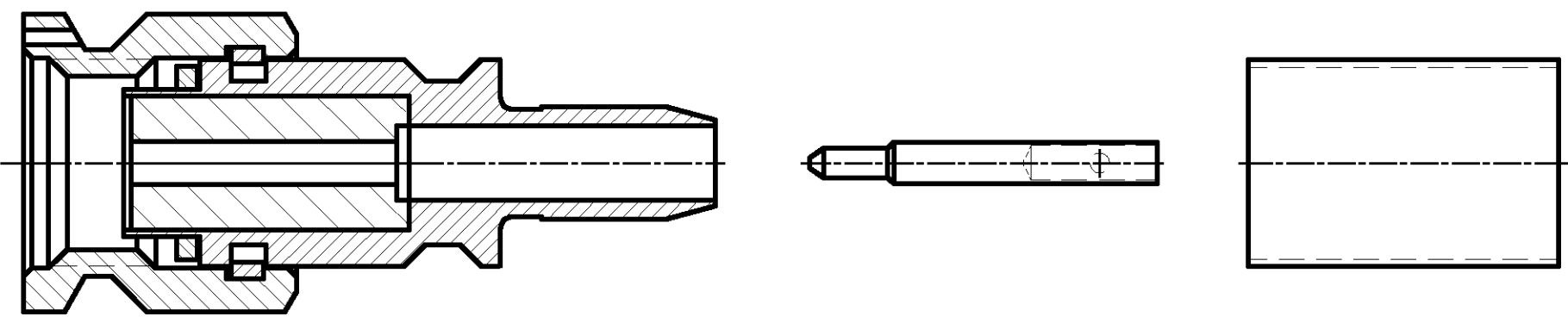


THIS DRAWING IS UNPUBLISHED. RELEASED FOR PUBLICATION N/A, N/A
 © COPYRIGHT N/A BY TYCO ELECTRONICS CORPORATION. ALL RIGHTS RESERVED.

| LOC | | DIST | | REVISIONS | | | |
|-----|-----|-------------|----------------------|-----------|------|----|--|
| P | LTR | DESCRIPTION | DATE | DWN | APVD | | |
| DF | X0 | B | REV PER 0G3D-0423-02 | 9-02 | JMK | JL | |

| COMPONENT | MATERIAL | FINISH |
|-------------------------|---|-------------------------------|
| HOUSING COUPLING NUT | STAINLESS STEEL PER ASTM-A-484 OR ASTM-A-582 TYPE 303 | PASSIVATED PER ASTM-A-380 |
| DIELECTRIC | PTFE FLUOROCARBON PER ASTM-D-1457 | - |
| CENTER CONTACT | BRASS PER ASTM-B-16 HALF HARD | GOLD PLATED PER ASTM-B-488 |
| - | - | - |
| GASKET | SILICONE RUBBER PER ZZ-R-765 | - |
| FERRULE | COPPER OR BRASS ALLOY, ROCKWELL F65 MAX | GOLD PLATED PER ASTM-B-488 |
| RETAINING RING | BERYLLIUM COPPER PER ASTM-B-194 ALLOY C17200, CONDITION H | - |
| - | - | - |
| - | - | - |



AS SHIPPED TO CUSTOMER

ENVIRONMENTAL

TEMPERATURE RATING: -65°C TO +165°C

VIBRATION: MIL-STD-202, METHOD 204, CONDITION D

SHOCK: MIL-STD-202, METHOD 213, CONDITION 1

MOISTURE RESISTANCE: MIL-STD-202, METHOD 106

CORROSION: MIL-STD-202, METHOD 101, CONDITION B. 5% SALT SPRAY

THERMAL SHOCK: MIL-STD-202, METHOD 107, CONDITION B EXCEPT HIGH TEMP 85°C

MECHANICAL

INTERFACE DIMENSIONS: MIL-STD-348A FIG. 310.1

RECOMMENDED MATING TORQUE: 7-10 IN-LBS

FORCE TO ENGAGE & DISENGAGE (IN-LBS MAX): 2.0

WEIGHT (GRAMS): TBD

MATING CHARACTERISTICS: INSERTION (MAX LBS) N/A
WITHDRAWAL (MIN OZ): N/A

CABLE RETENTION: AXIAL FORCE (LBS) 45 MIN
TORQUE (IN-OZ): N/A

CENTER CONTACT CAPTIVATION: AXIAL (LBS): 6.0
RADIAL (IN-OZ): N/A

ELECTRICAL

NORMAL IMPEDANCE (OHMS): 50

FREQUENCY RANGE (GHz): DC TO 12.4

VOLT RATING @ SEA LEVEL (VRMS MAX): 335

VSWR: 1.15+.01f(GHz)

INSERTION LOSS: (dB MAX): .06 $\sqrt{f(\text{GHz})}$

RF LEAKAGE (dB MIN): -60 @ 2-3 GHz

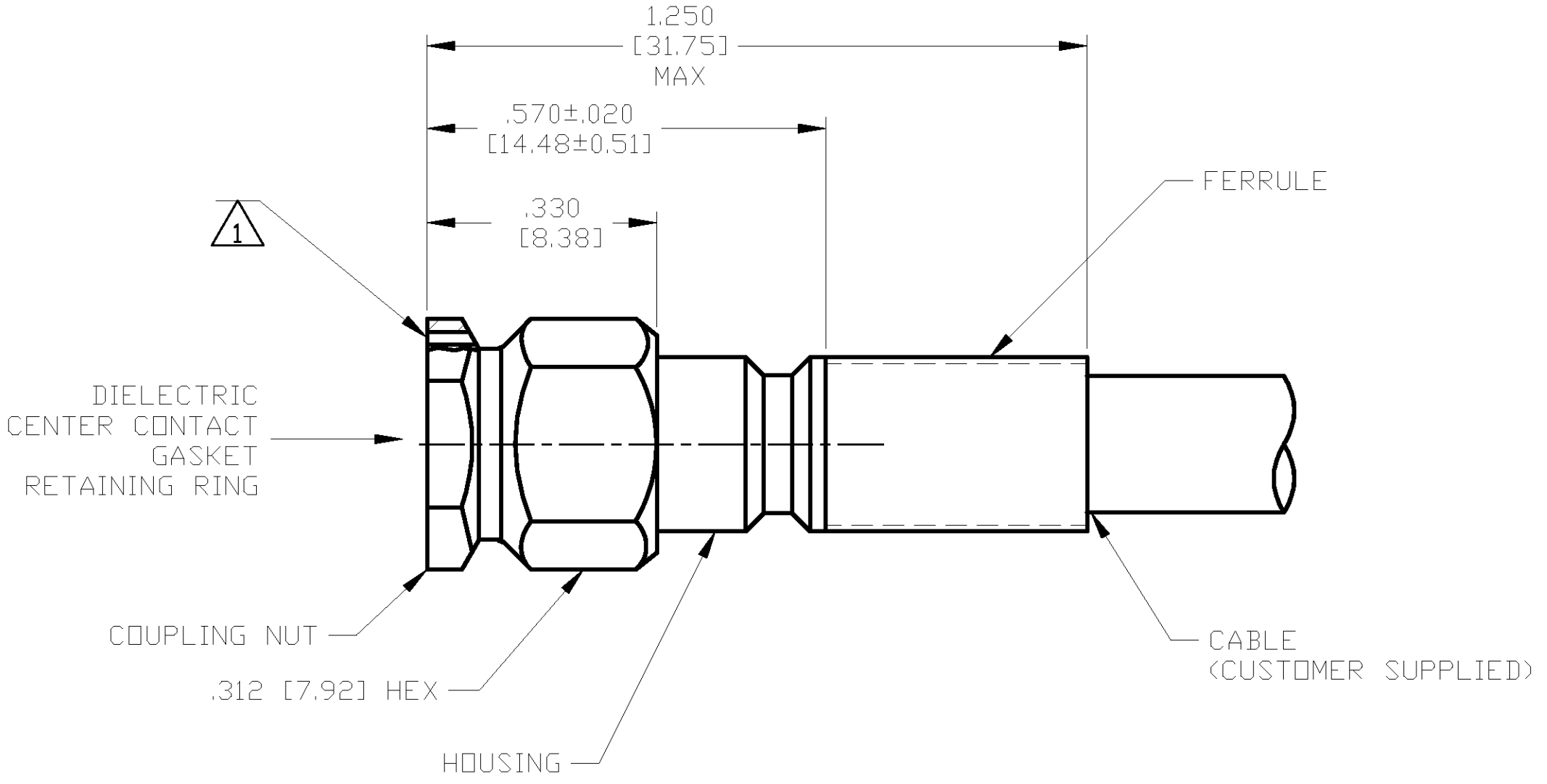
CORONA 70,000 FT (VRMS MIN): 250

DIELECTRIC WITHSTANDING VOLTAGE (VRMS MIN) AT SEA LEVEL: 1000

I.R. (MEGOHMS MIN): 5,000

RF HIGH POTENTIAL AT SEA LEVEL (VRMS MIN @ 5 MHz): 670

CONTACT RESISTANCE (MILLIOHMS MAX):
CENTER CONTACT: 3.0
OUTER CONTACT: 2.0
CABLE TO HOUSING: 0.5



ASSEMBLED VIEW

1 ∅.018 [0.46] LOCKWIRE HOLE, 3 PLACES EQUALLY SPACED.

| | |
|--|----------------------|
| DESIGNED TO USE RG-142/U OR EQUIVALENT CABLE ENTRY DIAMETER MIN | HOUSING: .121 [3.07] |
| | CONTACT: .039 [0.99] |
| | FERRULE: .216 [5.48] |

| | |
|--|---|
| THIS DRAWING IS A CONTROLLED DOCUMENT. | |
| DIMENSIONS: INCHES [mm] | TOLERANCES UNLESS OTHERWISE SPECIFIED: |
| 0 PLC ± - | 1 PLC ± - |
| 2 PLC ± - | 3 PLC ± .005 [0.13] |
| 4 PLC ± - | ANGLES ± - |
| MATERIAL SEE TABLE | FINISH SEE TABLE |

| | |
|-------------------------------|--|
| DWN J. KAISER 9/09/02 | Tyco Electronics Corporation Harrisburg, PA 17105 |
| CHK J. LIPPERT 10-9-02 | |
| APVD J. LIPPERT 10-9-02 | NAME SMA STRAIGHT CABLE PLUG CRIMP ATTACHMENT (M39012/55B3015) CAT B |
| PRODUCT SPEC | SIZE A2 |
| APPLICATION SPEC 408-4936 | CAGE CODE 00779 |
| WEIGHT TBD | DRAWING NO 1051769 |
| CUSTOMER DRAWING | RESTRICTED TO - |
| SCALE 5:1 | SHEET 1 OF 1 |
| | REV B |

1051769