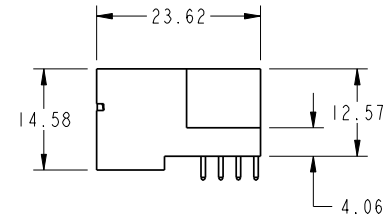
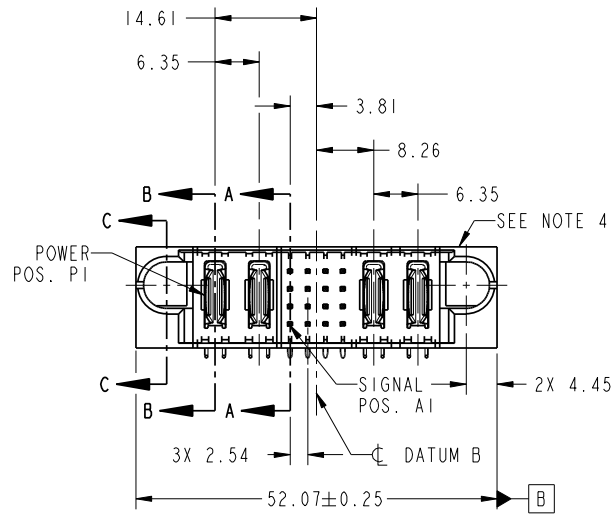


Tous droits strictement réservés. Reproduction ou communication a des tiers interdite sous quelque forme que ce soit sans autorisation écrite du propriétaire. Propriété de c FCI. Droits de reproduction FCI.



All rights strictly reserved. Reproduction or issue to third parties in any form whatever is not permitted without written authority from the proprietor. Property of FCI. Copyright FCI.

PRODUCT NO.	ROWS	POWER		SIGNAL				POWER			
		E1	P1	P2	1	2	3	4	P3	P4	E2
51730-187-- NOTE 3	D C B A		PA	PA	UUUU TTTT SSSS RRRR				PA	PA	



CODE	DIM "M" MATING LENGTH	CONTACT TYPE
U	[6.86]	SIGNAL
T	[6.86]	SIGNAL
S	[6.86]	SIGNAL
R	[6.86]	SIGNAL
PA	[N/A]	POWER
E	[5.59]	SIGNAL

mat'l code				SEE NOTE		tolerances unless otherwise specified		CUSTOMER		FCI www.fciconnect.com	
lfr	ecn no.	dr	date	linear	0.X ±0.5	projection		COPY		title	
A	DG10-0432	HZ	12/01/10	angles	0.XX ±0.25	MM		2P+16S+2P		RIGHT ANGLE SOLDER HEADER	
				dr	0.XXX ±0.1	scale		product family		code	
				enr	0° ±2°	1:1		PwrBlade		213	
				chr				size		sheet	
				appd				A		1 of 4	
sheet index	revision sheet	A	A	A	A			51730-187			
1	2	3	4					cage code		4	
								22526			

Pro/E

PDM: Rev:A

STATUS: Released

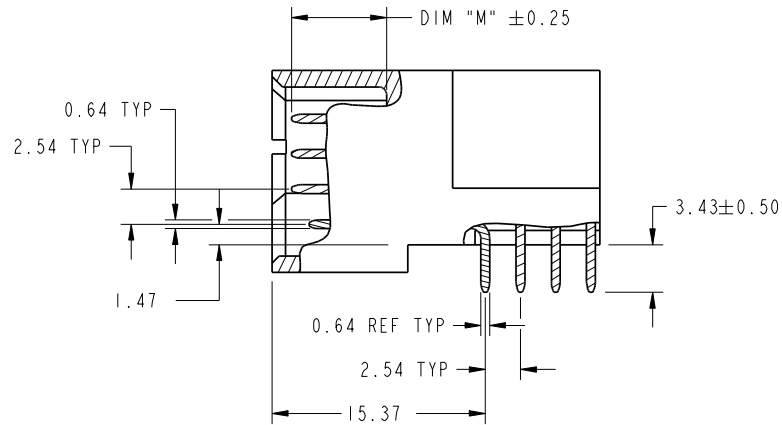
Printed: Dec 22, 2010

Tous droits strictement réservés. Reproduction ou communication o des liens interdite sous quelque forme que ce soit sans autorisation écrite du propriétaire. Propriete de c FCI. Droits de reproduction FCI.

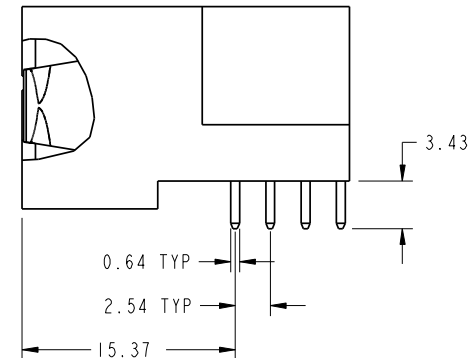
All rights strictly reserved. Reproduction or issue to third parties in any form whatever is not permitted without written authority from the proprietor. Property of FCI. Copyright FCI.



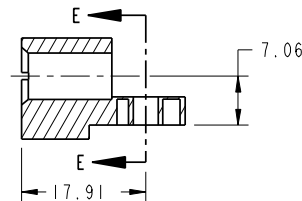
PRODUCT NUMBER
51730-187..
NOTE: 3



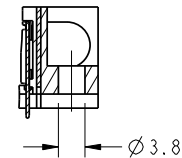
BROKEN-OUT SECTION A-A
SCALE 2:1



BROKEN-OUT SECTION B-B
SCALE 2:1



SECTION C-C



PARTIAL SECTION E-E

mat'l code				SEE NOTE	tolerances unless otherwise specified		CUSTOMER	FCI	
lfr	ecn no.	dr	date	linear	0.X ±0.5	COPY	www.fciconnect.com		
A				linear	0.XX ±0.25	projection	title		
				angles	0.XXX ±0.1	MM	2P+16S+2P		
				dr	0° ±2°	scale	RIGHT ANGLE SOLDER HEADER		
				engr		1:1	product family	PwrBlade	code
				chr	Helen Zhang 12/01/10		size	dwg no	213
				appd	Jerome Chen 12/09/10		A	51730-187	sheet
sheet index	revision sheet				PM ZHENG 12/01/10				2 of 4
					JOSEPH HSIA 12/01/10				

Pro/E

cage code 22526

PDM: Rev:A

STATUS: Released

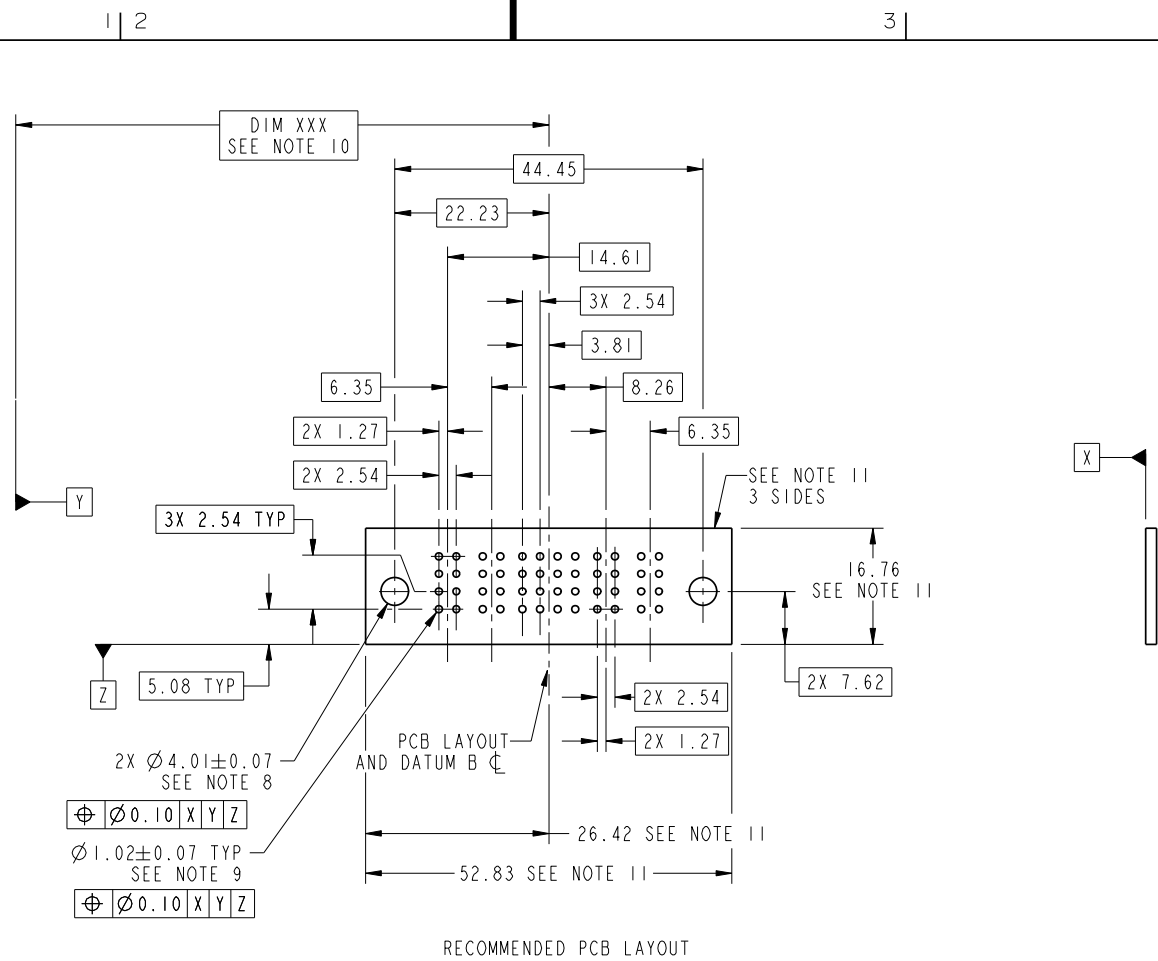
Printed: Dec 22, 2010

Tous droits strictement réservés. Reproduction ou communication o des liens interdite sous quelque forme que ce soit sans autorisation écrite du propriétaire. Propriete de c FCI. Droits de reproduction FCI.



All rights strictly reserved. Reproduction or issue to third parties in any form whatever is not permitted without written authority from the proprietor. Property of FCI. Copyright FCI.

PRODUCT NUMBER
51730-187..
NOTE: 3



RECOMMENDED PCB LAYOUT

2X $\varnothing 4.01 \pm 0.07$
SEE NOTE 8

$\varnothing 0.10$ X | Y | Z

$\varnothing 1.02 \pm 0.07$ TYP
SEE NOTE 9

$\varnothing 0.10$ X | Y | Z

mat'l code		SEE NOTE		tolerances unless otherwise specified		CUSTOMER		FCI	
lfr	ecn no.	dr	date	linear	0.X ± 0.5	COPY		www.fciconnect.com	
A				angles	0.XX ± 0.25	projection	title		
				dr	0.XXX ± 0.1		2P+16S+2P		
				engr	0° ± 2°	MM	RIGHT ANGLE SOLDER HEADER		
				chr	Helen Zhang 12/01/10	scale	product family	PwrBlade	code
				appd	Jerome Chen 12/09/10	1:1	size	dwg no	213
sheet index	revision sheet				PM ZHENG 12/01/10		A	51730-187	sheet 3 of 4
					JOSEPH HSIA 12/01/10				

cage code 22526

Pro/E

PDM: Rev:A

STATUS: Released

Printed: Dec 22, 2010

Tous droits strictement réservés. Reproduction ou communication o des liens interdite sous quelque forme que ce soit sans autorisation écrite du propriétaire. Propriete de c FCI. Droits de reproduction FCI.



All rights strictly reserved. Reproduction or issue to third parties in any form whatever is not permitted without written authority from the proprietor. Property of FCI. Copyright FCI.

PRODUCT NUMBER
51730-187..
NOTE: 3

NOTES:

1. DIMENSIONS AND TOLERANCES ARE IN ACCORDANCE WITH ASME Y14.5M, 1994 UNLESS OTHERWISE SPECIFIED.

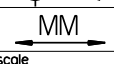
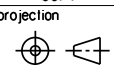
CONNECTOR NOTES:

- 2. HOUSING MATERIAL: UL 94 V-0 GLASS FILLED HIGH-TEMP THERMOPLASTIC
POWER CONTACT MATERIAL: COPPER ALLOY
SIGNAL PIN MATERIAL: COPPER ALLOY
- 3. SEE ITEM 1 & 2 IN PRINT 10064183 FOR PLATING SPEC OF 51730-187 AND 51730-187LF RESPECTIVELY.
- 4. MANUFACTURER'S NAME, DATE CODE AND OPTIONAL P/N TO APPEAR ON THIS SURFACE. THE P/N CAN BE OMITTED IF THERE IS NOT ENOUGH SPACE ON THIS SURFACE.
- 5. PRODUCT SPECIFICATION GS-12-149.
APPLICATION SPECIFICATION BUS-20-067.
- 6. PACKAGED IN TRAYS.

PCB NOTES:

- 7. ALL HOLE DIAMETERS ARE FINISHED HOLE SIZE.
- 8. MOUNTING HOLES, WHERE APPLICABLE, ARE UNPLATED.
- 9. $\varnothing 1.151 \pm 0.025$ DRILLED HOLES PLATED WITH
0.008 MIN SnPb OR Sn OVER 0.03
TO 0.08 Cu PLATING TO ACHIEVE
 $\varnothing 1.02 \pm 0.07$ HOLE.
- 10. "DIM XXX" TO BE DETERMINED BY THE CUSTOMER.
- 11. CONNECTOR KEEP-OUT ZONE.

mat'l code		SEE NOTE		tolerances unless otherwise specified		CUSTOMER		FCI		www.fciconnect.com	
lfr	ecn no.	dr	date	linear	0.X ± 0.5	COPY		projection		title	
A					0.XX ± 0.25					2P+16S+2P RIGHT ANGLE SOLDER HEADER	
				angles	0.XXX ± 0.1					product family PwrBlade code	
				dr	0° ± 2°			size		213	
				engr	Helen Zhang 12/01/10	scale		A		sheet	
				chr	Jerome Chen 12/09/10	1:1		51730-187		4 of 4	
				appd	PM ZHENG 12/01/10						
					JOSEPH HSIA 12/01/10						
sheet index	revision sheet										



1 | 2

3 |

4

A

A

B

B

1 | 2

3 |

4

Pro/E

cage code 22526

PDM: Rev:A

STATUS: Released

Printed: Dec 22, 2010