

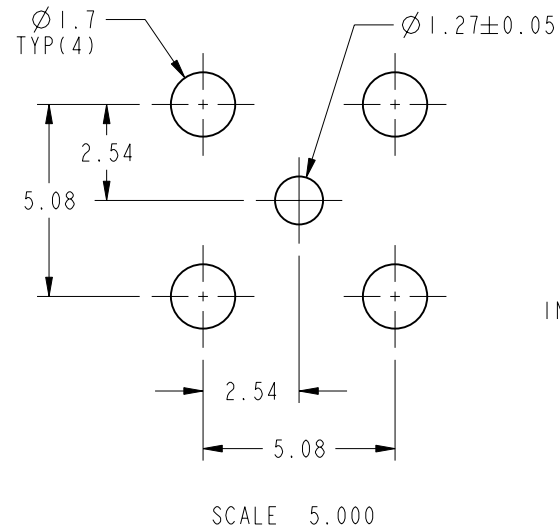
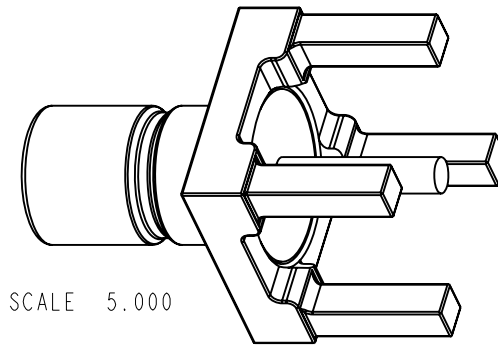
NOTES:

1. MATERIALS AND FINISHES(PLATING THICKNESS IN MICRO-INCHES):
 BODY - ZINC DIECASTING, GOLD PLATING
 CONTACT - BRASS, GOLD PLATING
 INSULATOR - PTFE, NATURAL
2. ELECTRICAL:
 A. IMPEDANCE: 50 OHM
 B. FREQUENCY RANGE: DC - 4 GHz
 C. DIELECTRIC WITHSTANDING VOLTAGE: 1000 VRMS, MIN.
3. MECHANICAL:
 A. DURABILITY: 500 CYCLES MIN.
 B. TEMPERATURE RANGE: -65° C TO +165° C
4. PACKAGING:
 A. QUANTITY: SINGLE PACK
 B. MARKING: BAG TO BE MARKED
 "AMPHENOL, 903-499J-51P2, AND DATE CODE"

THIRD ANGLE PROJ.

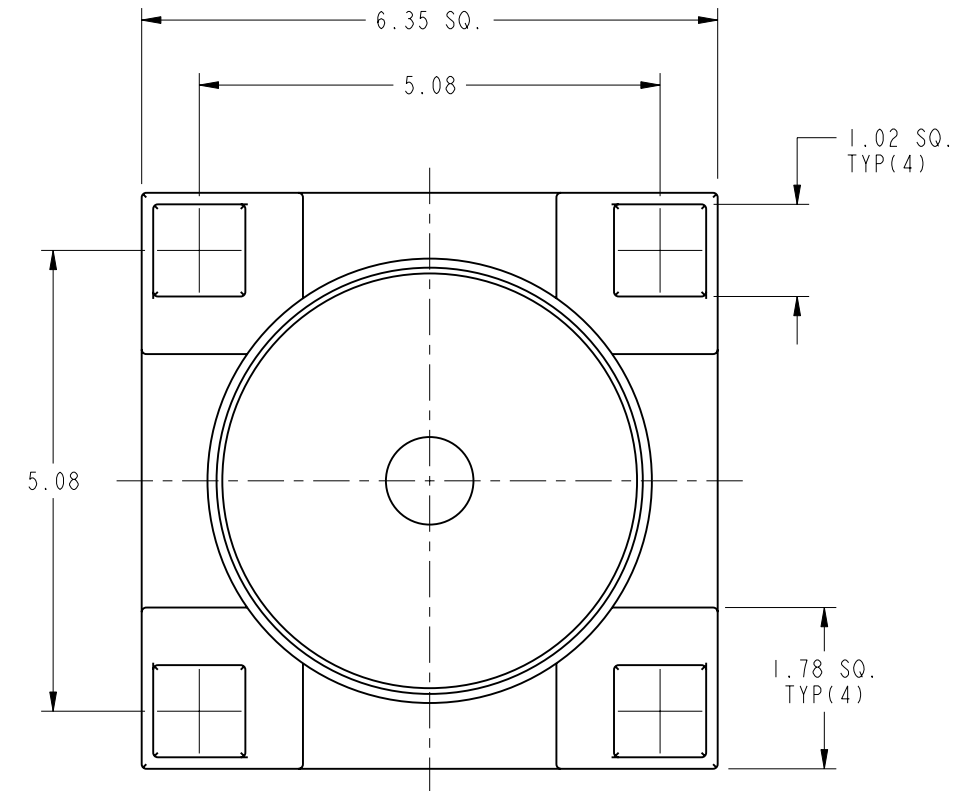
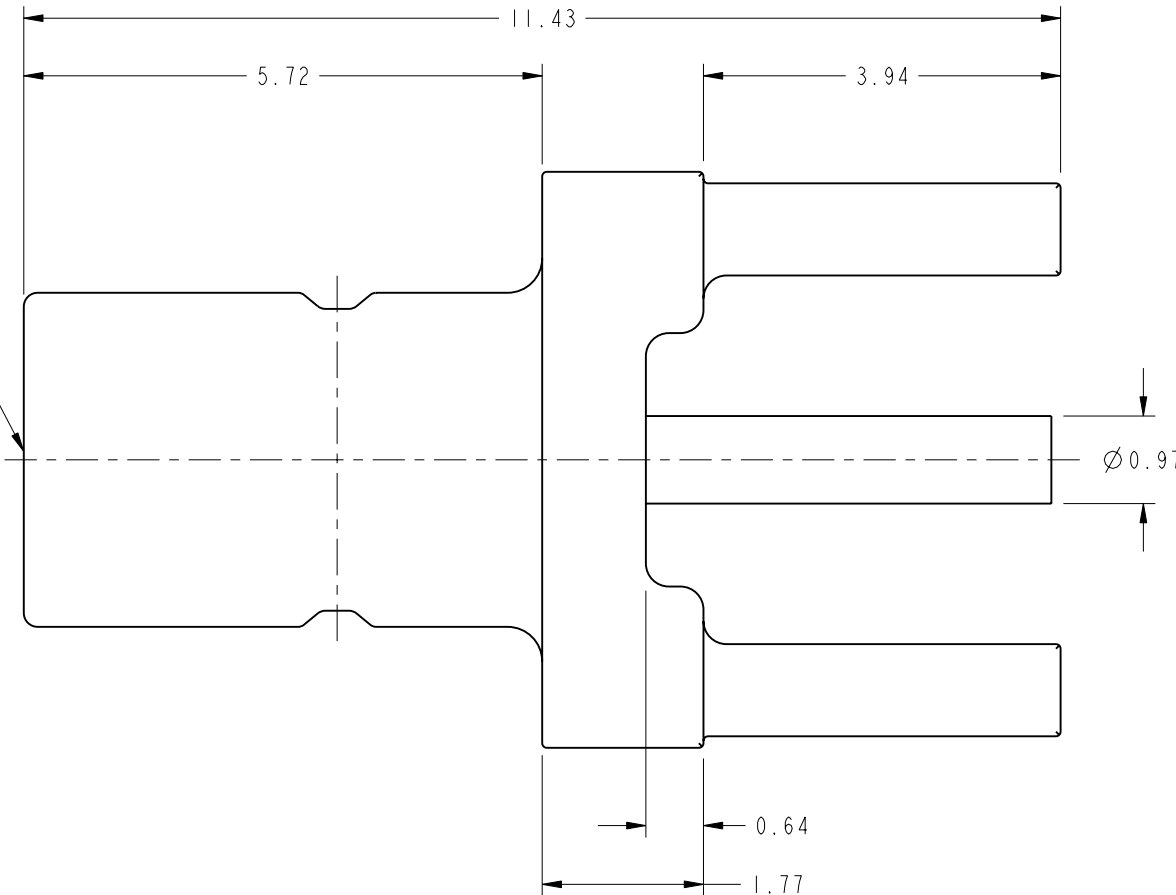
REVISIONS

REV	DESCRIPTION	DATE	ECO	APPR
A	RELEASE TO MFG.	15-Mar-95	40544	PB
E	SYNC THE DRAWING\RD-DM11031501I	24-Mar-11	48494	SH
F	ADD ASSEMBLE STANDARD	29-Oct-12	49272	SH



RECOMMENDED MOUNTING HOLE DIMENSIONS

INTERFACE PER MIL-STD-348 SMB SERIES



CUSTOMER OUTLINE DRAWING
 ALL OTHER SHEETS ARE FOR INTERNAL USE ONLY

UNLESS OTHERWISE SPECIFIED, DIMENSIONS ARE IN METRIC AND TOLERANCES ARE: <0.5mm ± 0.05mm 0.5 - 6mm ± 0.1mm 6 - 30mm ± 0.2mm 30 - 120mm ± 0.3mm ANGLES ± 1°	MATERIAL	DRAWN F. WANG	DATE 29-Oct-12	TITLE SMB JACK PC MOUNT	Amphenol RF www.amphenolrf.com
		ENGINEER R. VACCARO	DATE 15-Mar-95		
NOTICE - These drawings, specifications, or other data (1) are, and remain the property of Amphenol corp. (2) must be returned upon request; and (3) are confidential and not to be disclosed to any person other than those to whom they are given by Amphenol Corp. the finishing of these drawings, specifications, or other data by Amphenol Corp., or to any other person to anyone for any purpose is not to be regarded by implication or otherwise in any manner licensing, granting rights to permitting such holder or any other person to manufacture, use or sell any product, process or design, patented or otherwise, that may in any way be related to or disclosed by said drawings, specifications, or other data.	REFERENCE EAR 111-964037 5 615X-1359-100 CONFIGURATION LEVEL:	APPROVED S. HSIEH	DATE 24-Mar-11	SCALE: 12.0:1.0 SHEET 2 OF 2	DRAWING NO. 903-499J-51P2
	FINISH	CAD FILE	DWG SIZE B	REV F	ITEM NO. 903-499J-51P2
					PART NO. 903-499J-51P2