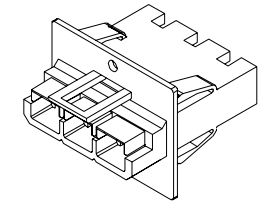
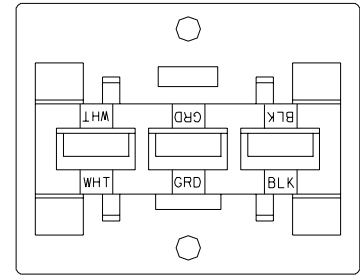
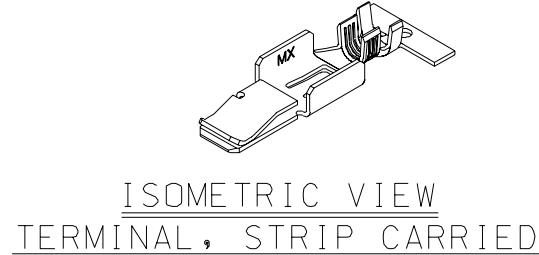


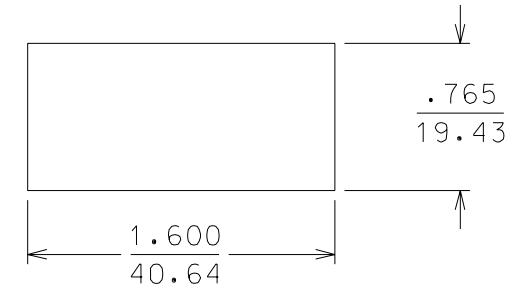
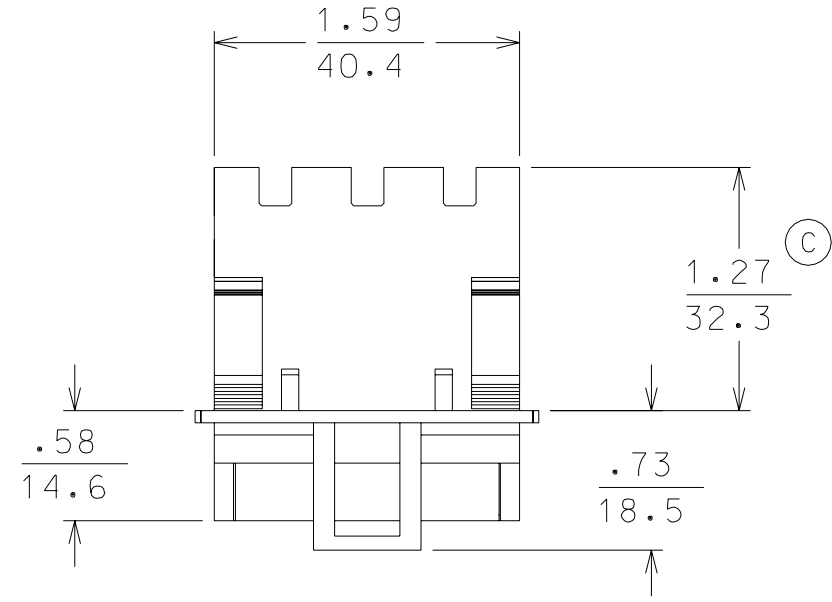
PART NUMBER	DESCRIPTION
194031230	SC HEADER HOUSING
194031240	TERMINAL, STRIP CARRIED
194031241	TERMINAL, LOOSE PIECE



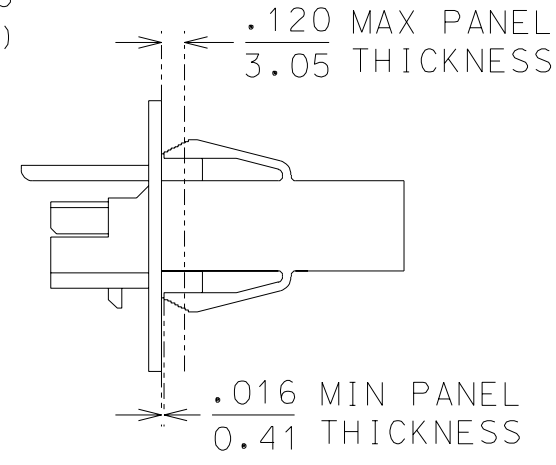
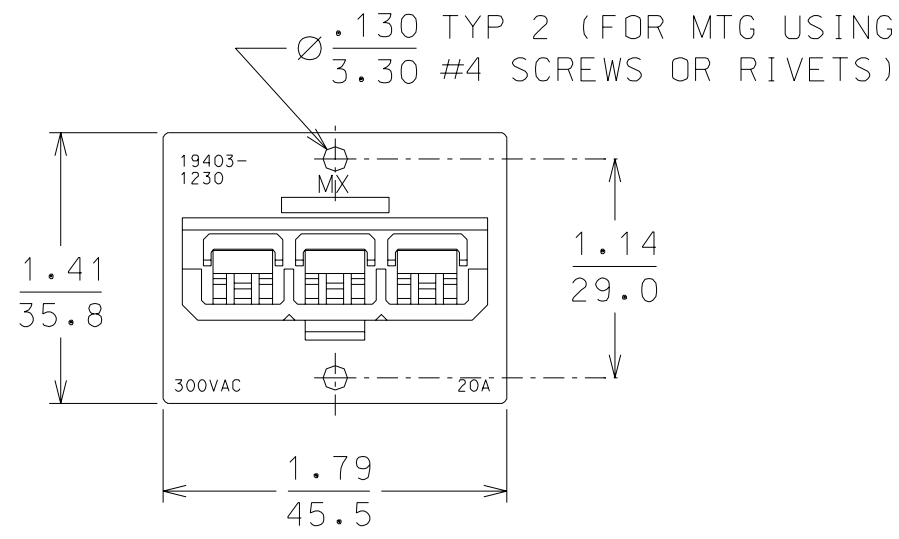
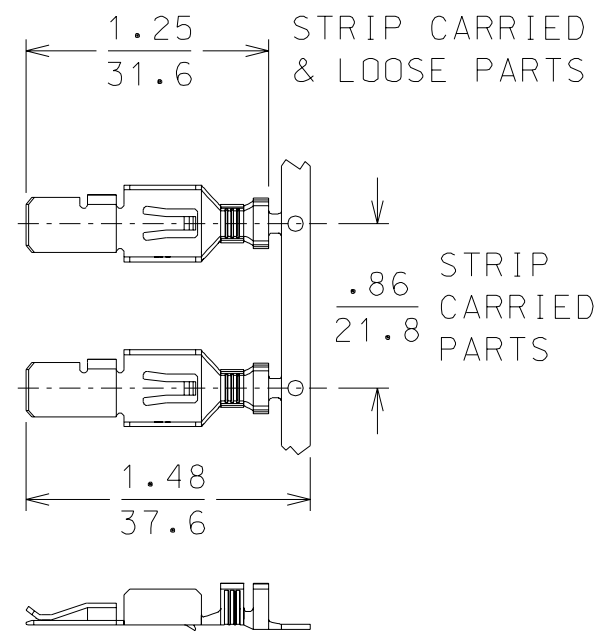
ISOMETRIC VIEW
SC HEADER



ISOMETRIC VIEW
TERMINAL, STRIP CARRIED



RECOMMENDED PANEL CUTOUT



NOTES:
 1) TERMINAL MATERIAL: HIGH COPPER ALLOY
 PLATING: TIN
 2) HOUSING MATERIAL: POLYESTER UL94-5VA

EC NO. ETC2002-0085 DRWN: B. RUPERT 01/18/09 CHK: J. PAWLIC 01/18/09 APPR: R. DeROSS 01/18/09	QUALITY SYMBOLS MAJOR = CRITICAL =	GENERAL TOLERANCES: (UNLESS SPECIFIED)		SCALE 1:1	DESIGN UNITS <input type="checkbox"/> mm <input checked="" type="checkbox"/> INCH	THIRD ANGLE PROJECTION 	DIMENSIONS: <input type="checkbox"/> mm <input checked="" type="checkbox"/> INCH <input type="checkbox"/> mm ONLY	SHT REV
		4 PLACES ±0.--- ±.---	DRAWN BY & DATE DAY 00/06/12	TITLE: CUSTOMER DRAWING SC PANEL MOUNT CONNECTOR 10 AWG				
		3 PLACES ±0.--- ±.005	CHECKED BY & DATE RWD 00/06/12	MOLEX INCORPORATED				
		2 PLACES ±0.13 ±.01 1 PLACE ±0.3 ±.---	APPROVED BY & DATE RWD 00/06/12	CAD FILENAME 19403128.DGN	MATERIAL NO. SEE CHART	DRAWING NO. SD-19403-128	SHEET NO. 1 OF 1	
ANGULAR: ±1/2°	DRAFT WHERE APPLICABLE MUST REMAIN WITHIN DIMENSIONS	THIS DRAWING CONTAINS INFORMATION THAT IS PROPRIETARY TO MOLEX INCORPORATED AND SHOULD NOT BE USED WITHOUT WRITTEN PERMISSION.					SIZE B	