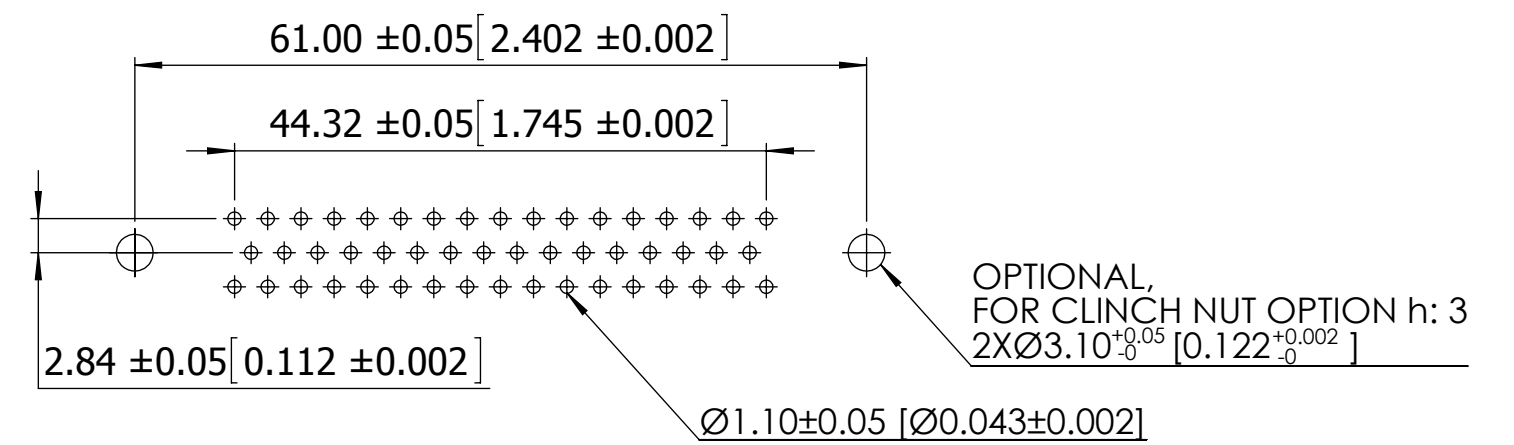
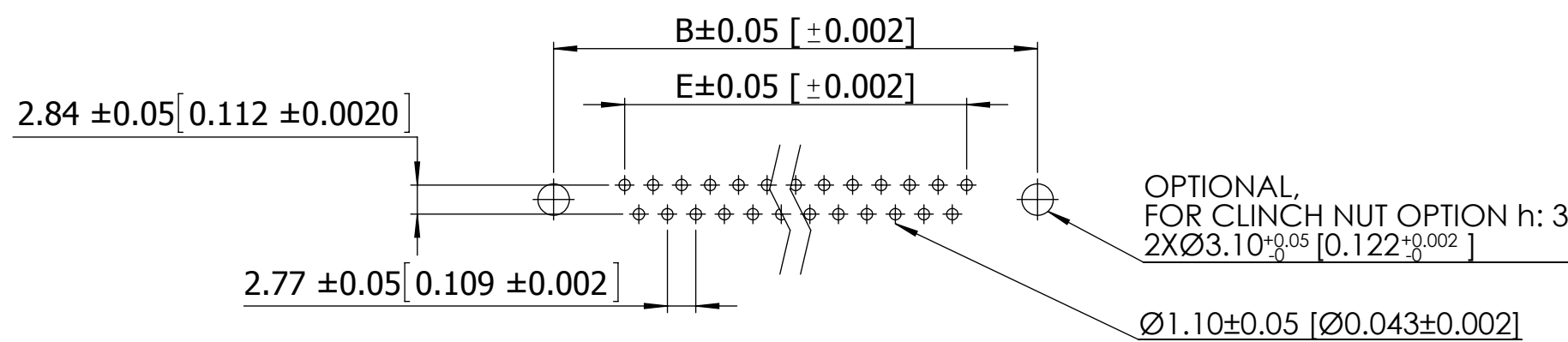
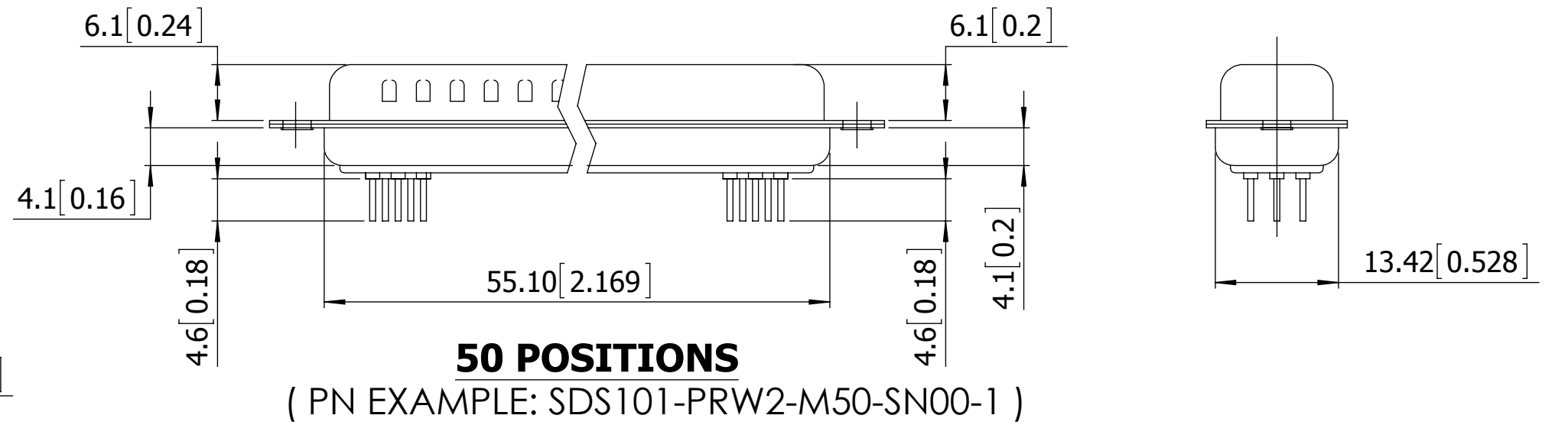
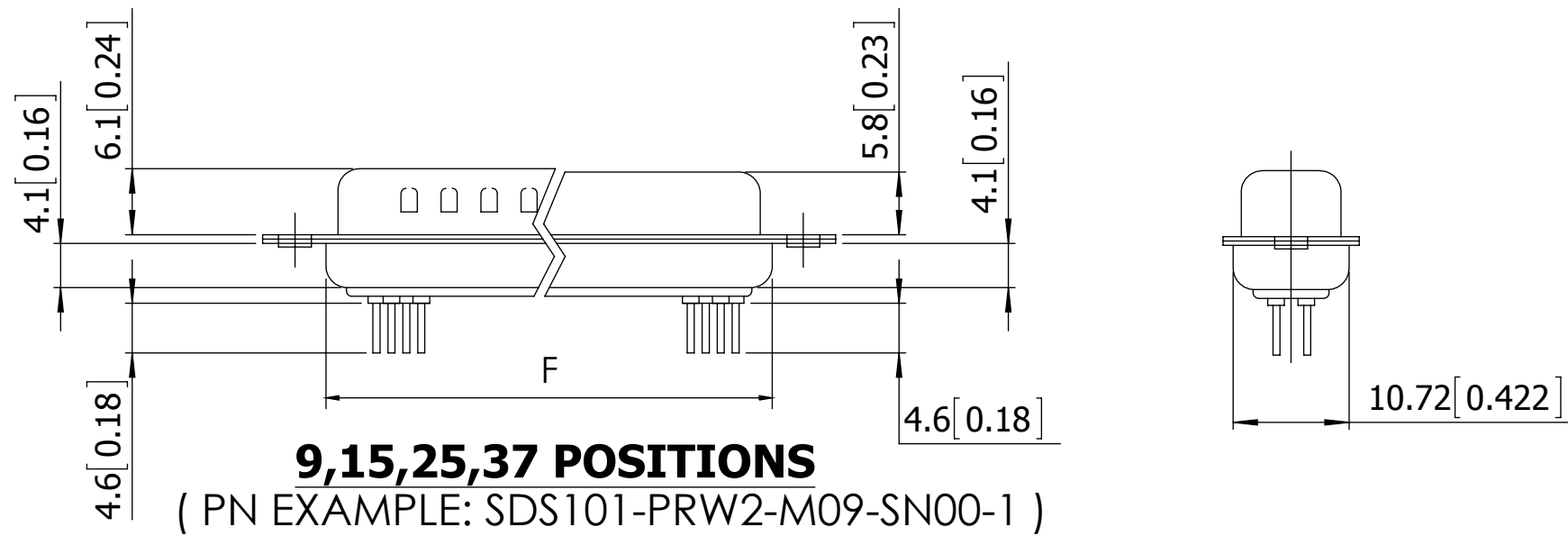
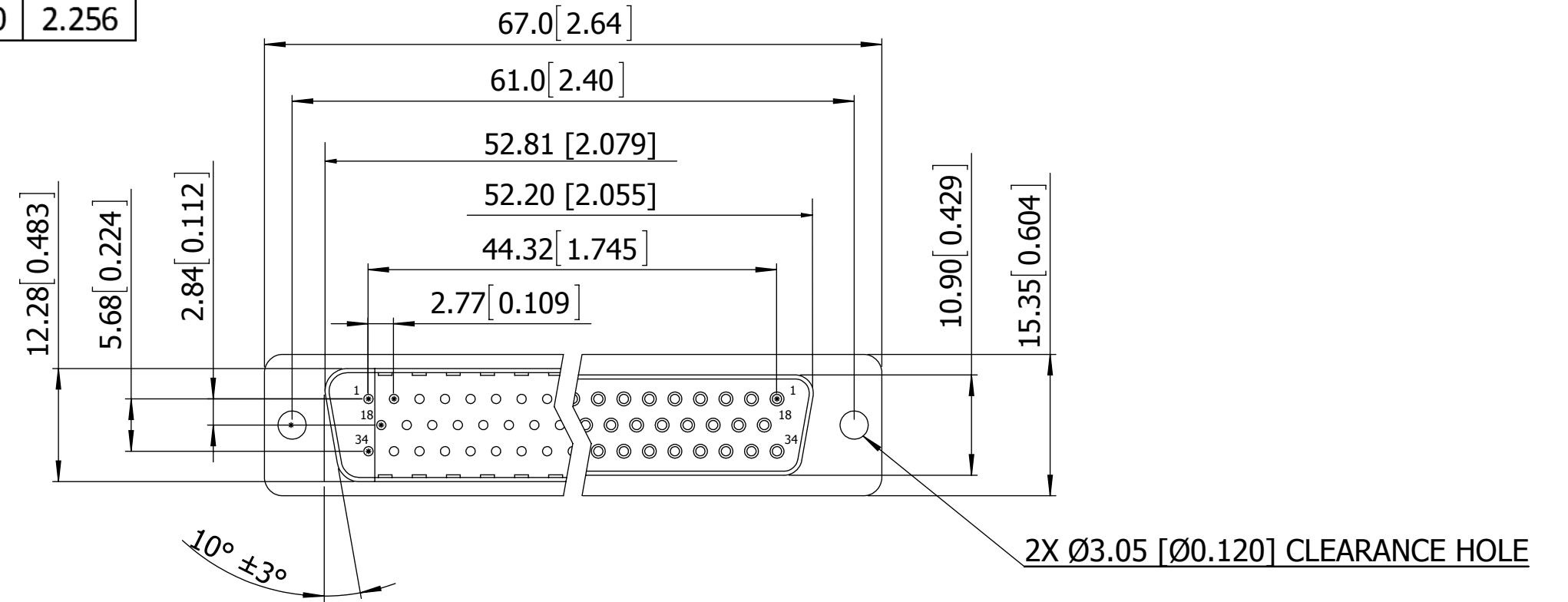
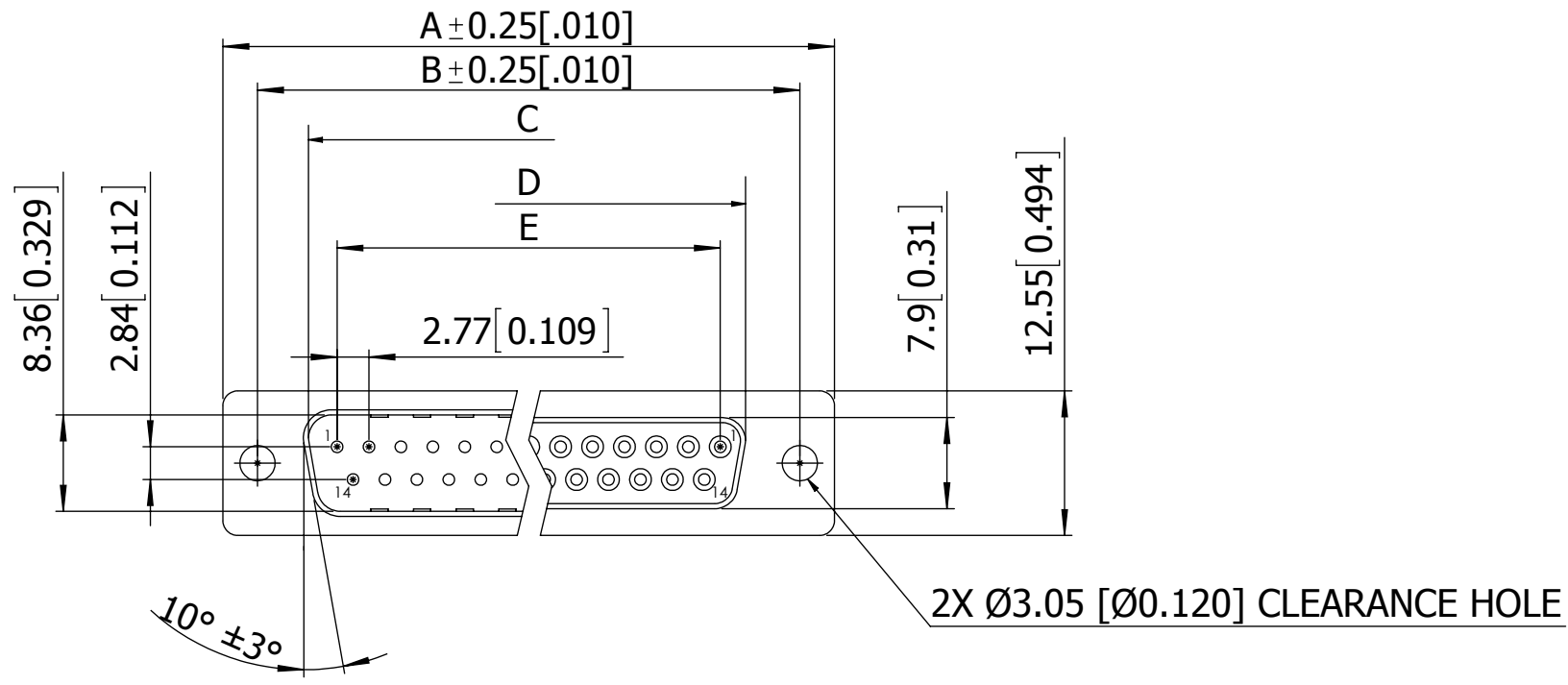


**DIMENSIONS**

POSITIONS	A		B		C		D		E		F	
	MM	INCH	MM	INCH	MM	INCH	MM	INCH	MM	INCH	MM	INCH
09	30.81	1.213	24.99	0.984	16.92	0.666	16.33	0.643	11.08	0.436	19.20	0.756
15	39.20	1.543	33.30	1.311	25.25	0.994	24.70	0.972	19.39	0.763	27.70	1.091
25	53.05	2.088	47.04	1.852	38.96	1.534	38.40	1.512	33.24	1.309	41.10	1.618
37	69.40	2.732	63.50	2.500	55.42	2.182	54.80	2.158	49.86	1.963	57.30	2.256

REVISIONS				
REV.	ECO. NO	DESCRIPTION	DATE	BY
A	2398	INITIAL RELEASE	07/01/2011	LH
B	2576	UPDATE PART NUMBER CODING	05/10/2012	LH



**NOTES:**

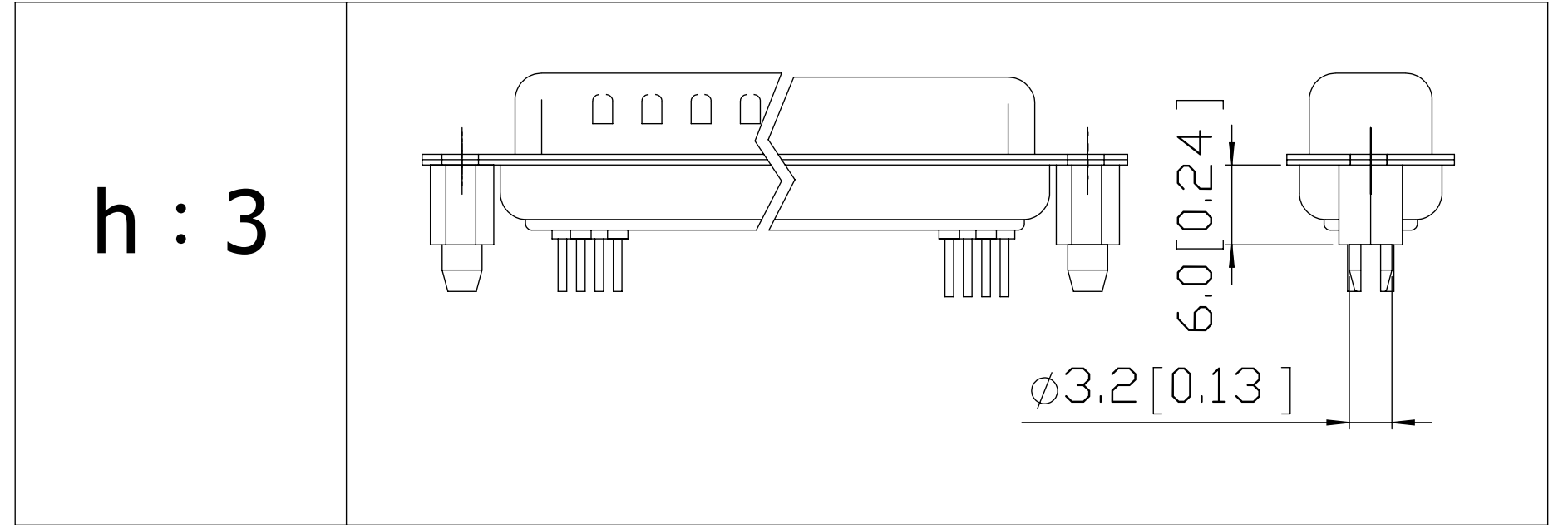
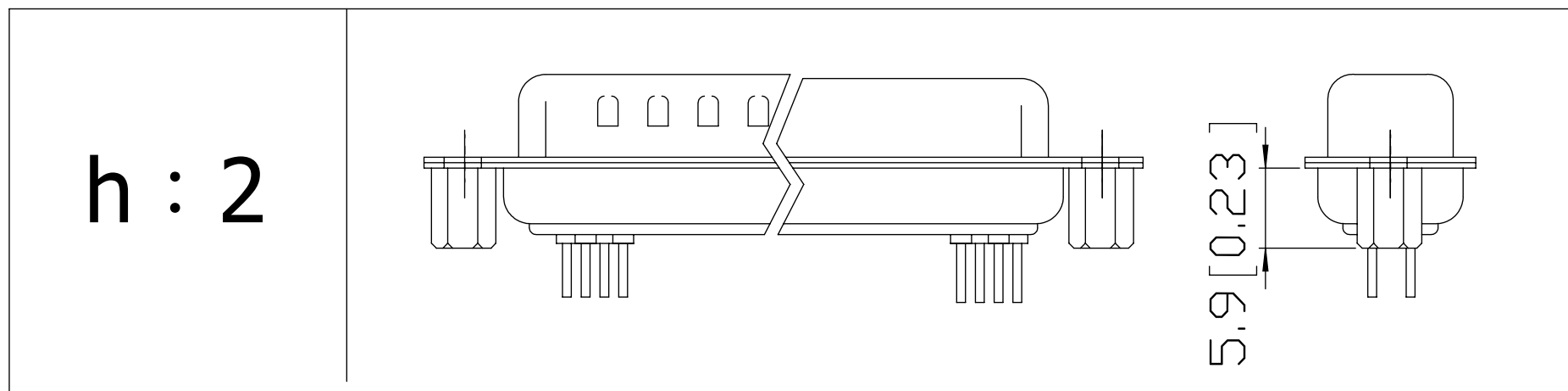
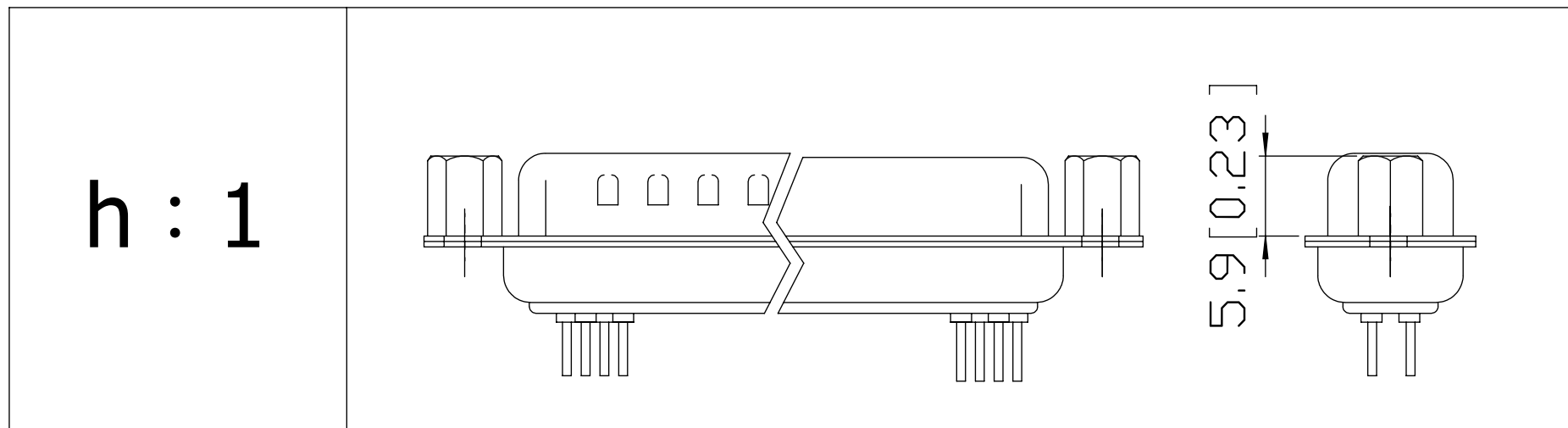
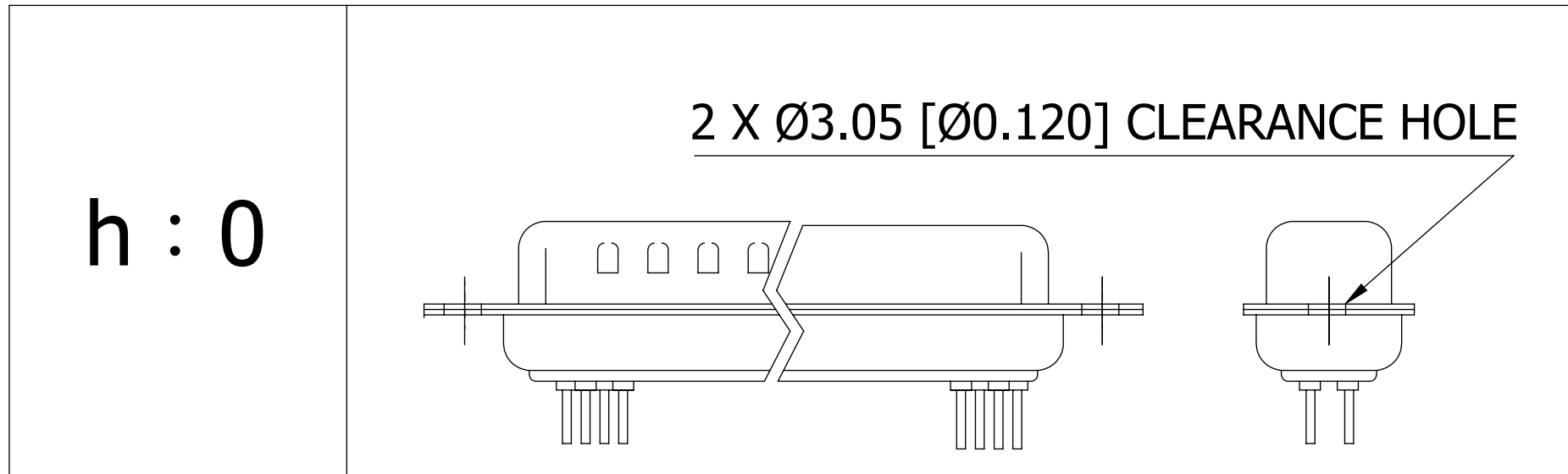
**MATERIAL**  
 INSULATOR : GLASS-FILLED THERMOPLASTIC PBT, UL94V-0  
 CONTACT: BRASS  
 SHELL : SPCC, .000100" TIN OVER .000050" MIN. COPPER (STANDARD, SEE PAGE 3)  
 CLINCH NUT : BRASS, NICKEL PLATED  
 BOARDLOCK : BRASS, TIN PLATED  
 SCREWLOCK : STEEL, NICKEL PLATED  
 OPERATING TEMPERATURE : -55°C TO +105°C

**ELECTRICAL**  
 CONTACT RESISTANCE : 20 MILLIOHMS MAX AT 1 AMP DC  
 INSULATION RESISTANCE : 1000 MAGOHMS AT 500 VDC  
 DIELECTRIC WITHSTANDING VOLTAGE : 1000 VAC/RMS 60Hz FOR 1 MINUTE  
 CURRENT RATING : 3 AMPS  
 VOLATGE RATING : 250 VAC/RMS 60Hz

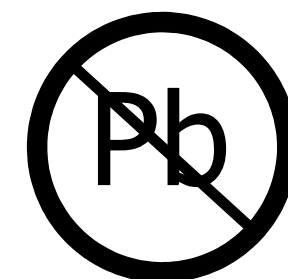


UNLESS OTHERWISE SPECIFIED: DIMENSIONS ARE IN MM [INCHES]	DRAWN	DATE	NAME	
		07/01/2011	LH	
TOLERANCES: ANGULAR: ± 3° DECIMALS X.= ± 0.38 [0.15] X.= ± 0.25 [0.10] .XX= ± 0.13 [0.05]	THE INFORMATION HEREIN CONTAINS PROPRIETARY INFORMATION OF SULLINS ELECTRONICS AND IS NOT TO BE REPRODUCED, USED OR DISCLOSED TO OTHERS FOR ANY PURPOSE EXCEPT AS SPECIFICALLY AUTHORIZED IN WRITING BY AN OFFICER OF SULLINS ELECTRONICS.			TITLE
				101 SERIES D-SUB DIP STRAIGHT TYPE
PART NUMBER				REV
SDS101-PR _ _ _ _ N _ _				B
SIZE	CAGE CODE	DWG. NO.		
C	54453	11746		
SCALE: 1:15	SHEET 1 OF 3			

# h. POSITION OF CLINCH NUT



**CONSULT SALES OR  
FACTORY FOR OTHER  
MOUNTING STYLE OPTIONS**



RoHS COMPLIANT

UNLESS OTHERWISE SPECIFIED: DIMENSIONS ARE IN MM [INCHES]		DRAWN	DATE	NAME	
TOLERANCES: ANGULAR: ± 3° DECIMALS X.= ± 0.38 [.015] X.= ± 0.25 [.010] .XX= ± 0.13 [.005]			07/01/2011	LH	
<small>THE INFORMATION HEREIN CONTAINS PROPRIETARY INFORMATION OF SULLINS ELECTRONICS AND IS NOT TO BE REPRODUCED, USED OR DISCLOSED TO OTHERS FOR ANY PURPOSE EXCEPT AS SPECIFICALLY AUTHORIZED IN WRITING BY AN OFFICER OF SULLINS ELECTRONICS.</small>					<b>TITLE</b> 101 SERIES D-SUB DIP STRAIGHT TYPE
<b>PART NUMBER</b> SDS101-PR _ _ _ _ - N _ _					<b>SCALE</b> 1:8
SIZE	CAGE CODE	DWG. NO.	REV		
C	54453	11746	B		
SHEET 2 OF 3					

**SDS101-PR**     -     -     -     -     -     -     -     -     -      
a b c d e f g h i

**a. CONTACT PLATING**

( ALL PLATINGS HAVE .000050" NICKEL UNDERPLATE)  
W = GOLD FLASH ON CONTACT SURFACE,  
.000100" PURE TIN ON TERMINATION.  
B = .000010" GOLD ON CONTACT SURFACE,  
.000100" PURE TIN ON TERMINATION.  
U = .000015" GOLD ON CONTACT SURFACE,  
.000100" PURE TIN ON TERMINATION.  
C = .000030" GOLD ON CONTACT SURFACE,  
.000100" PURE TIN ON TERMINATION.  
P = GOLD FLASH OVERALL.

**b. SHELL PLATING**

1 = NICKEL  
2 = TIN (STANDARD)

**c. CONTACT TYPE**

M = MALE  
F = FEMALE

**d. NO. OF CONTACTS**

09 = 09 POSITIONS  
15 = 15 POSITIONS  
25 = 25 POSITIONS  
37 = 37 POSITIONS  
50 = 50 POSITIONS

**e. PIN TYPE**

S = STAMPED PIN  
M = MACHINED PIN (AVAILABLE WITH "P" PLATING ONLY)

**f. FERRITE**

N = WITHOUT FERRITE

**g. FLANGE MOUNTING OPTION**

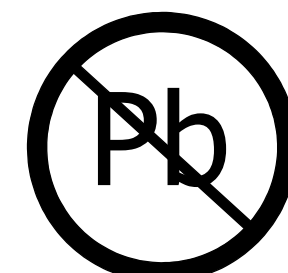
0 = Ø3.05mm [Ø.120] CLEARANCE HOLE  
1 = #4-40 FEMALE THREAD  
4 = M3 FEMALE THREAD  
5 = M3 (5.0 X 10.0 mm [0.20 X 0.39]) FEMALE SCREWLOCK INSTALLED  
8 = #4-40 UNC (5.0 X 10.0 mm [0.20 X 0.39]) FEMALE SCREWLOCK INSTALLED  
9 = #4-40 UNC (5.0 X 10.0 mm [0.20 X 0.39]) FEMALE SCREWLOCK BULK-PACKED

**h. POSITION OF CLINCH NUT (SEE PAGE 2 FOR DETAILS)**

0 = Ø3.05 mm [Ø.120] CLEARANCE HOLE  
1 = FRONT RIVET, 5.9 mm [0.23]  
2 = REAR RIVET, 5.9 mm [0.23]  
3 = RIVET+2 PRONG BOARDLOCK Ø3.2 X 6.0 L [ Ø0.13 X 0.24]

**i. INSULATOR COLOR**

1 = BLACK (STANDARD)  
2 = BLUE  
6 = WHITE



RoHS COMPLIANT

UNLESS OTHERWISE SPECIFIED: DIMENSIONS ARE IN MM [INCHES]		DRAWN	DATE	NAME	<b>SULLINS</b> CONNECTOR SOLUTIONS
				TITLE	
TOLERANCES: ANGULAR: ± 3°  DECIMALS X.= ± 0.38 [.015] X.= ± 0.25 [.010] .XX= ± 0.13 [.005]		THE INFORMATION HEREIN CONTAINS PROPRIETARY INFORMATION OF SULLINS ELECTRONICS AND IS NOT TO BE REPRODUCED, USED OR DISCLOSED TO OTHERS FOR ANY PURPOSE EXCEPT AS SPECIFICALLY AUTHORIZED IN WRITING BY AN OFFICER OF SULLINS ELECTRONICS.			PART NUMBER
		SIZE	CAGE CODE	DWG. NO.	REV
		SCALE: 1:8			SHEET 3 OF 3

**101 SERIES D-SUB DIP STRAIGHT TYPE**

**SDS101-PR**     -     -     -     -     -     -     -     -     -    

C    54453    11746    **B**