

THIS DRAWING IS UNPUBLISHED. RELEASED FOR PUBLICATION  
 © COPYRIGHT - By - ALL RIGHTS RESERVED.

LOC		DIST		REVISIONS			
P	LTR	DESCRIPTION		DATE	DWN	APVD	
	D3	1-215310-5 REACTIVATED		20OCT2012	SP	RP	

NOTES:

1. TO DETERMINE DIMENSIONS TAKE  $2 \times N = \text{NR. OF POS.}$   
 FOR EXAMPLE:  $2 \times 10 \text{ POS.} : N \times 2,54 = 25,4 \text{ mm.}$   
 FOR ORDERNR. USE BASIC NR. + NR. OF POS.  
 FOR EXAMPLE:  $2 \times 2 \text{ POS.} = 215\ 310-2$  (SHORTEST VERSION)  
 $2 \times 36 \text{ POS.} = 3-215\ 310-6$  (LONGEST VERSION)

2. HOUSING MATERIAL: GREEN GLASSFILLED POLYESTER, UL 94V-0  
 CONTACT MATERIAL: PHOSPHORBRONZE.

3. PLATING:  $2.5\ \mu\text{m}$  Sn OVER Ni

4. MATES WITH 0,63 SQUARE/ROUND MODU POSTS.

5. CONTACT-POINT.

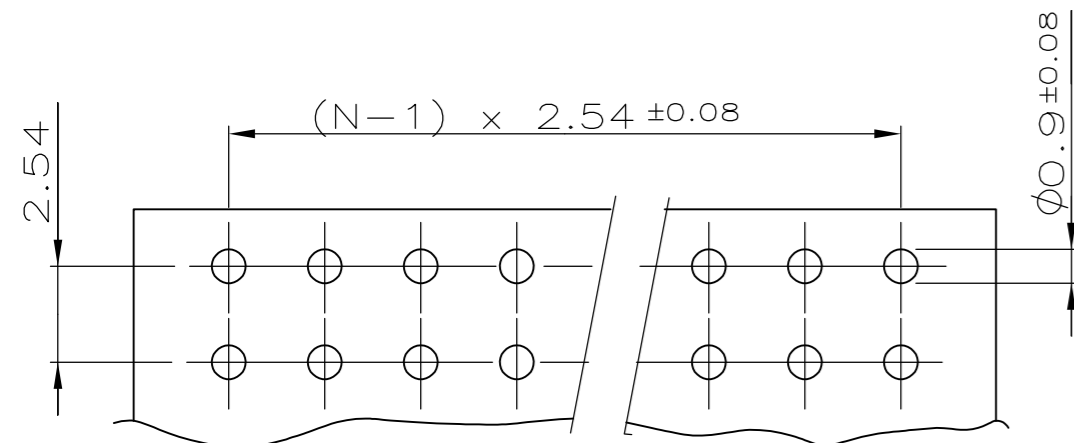
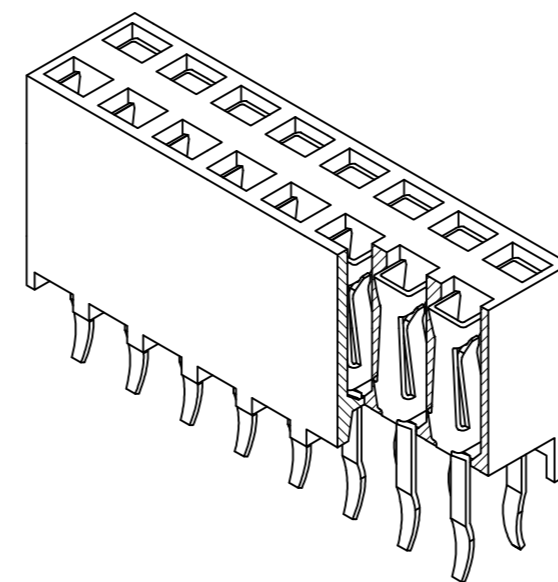
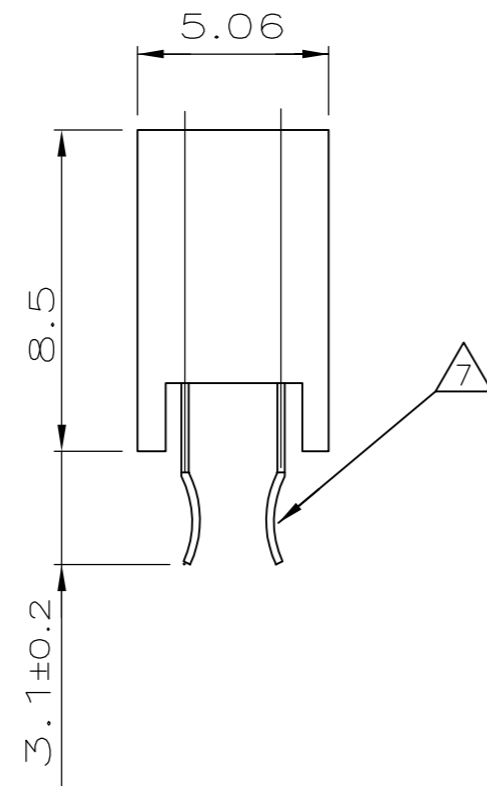
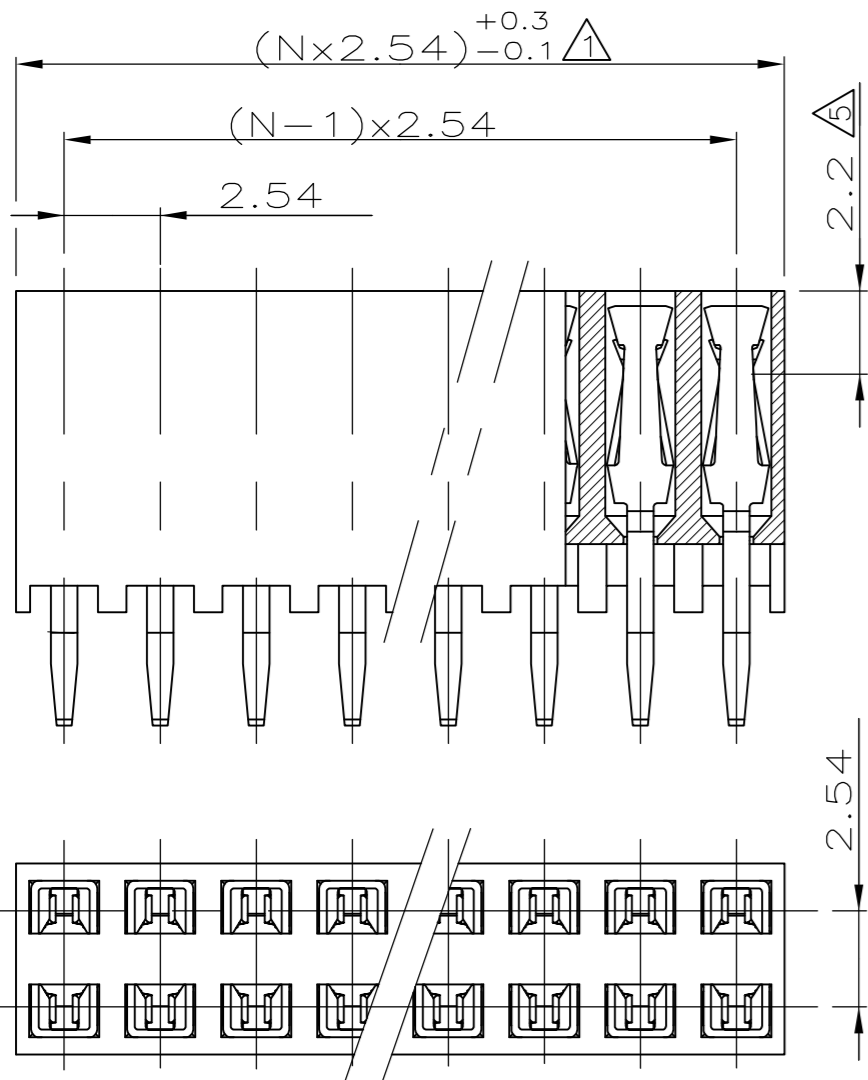
6. RECOMMENDED P.C.BOARD-THICKNESS: 1,6.

7. RETENTION FEATURE.

8. HV100 CONNECTOR PACKED IN ANTISTATIC BLISTER

9. OBSOLETE PARTS: OBSOLETE CIS STREAMLINING PER D.RENAUD/D.SINISI

- 2-215310-1    2-215310-9
- 2-215310-2    3-215310-0
- 2-215310-3    3-215310-1
- 2-215310-4    3-215310-3
- 2-215310-7    3-215310-4
- 2-215310-8



P.C.-BOARD HOLE-PATTERN

	POS PER ROW	L	PART-NO ASSEMBLY
	2	5.08	215310-2
OBSOLETE	3	7.62	-3
	4	10.16	-4
	5	12.70	-5
	6	15.24	-6
	7	17.78	-7
OBSOLETE	8	20.32	-8
	9	22.86	-9
	10	25.40	1-0
	11	27.94	1-1
OBSOLETE	12	30.48	1-2
	13	33.02	1-3
	14	35.56	1-4
	15	38.10	1-5
OBSOLETE	16	40.64	1-6
	17	43.18	1-7
OBSOLETE	18	45.72	1-8
	19	48.26	1-9
	20	50.80	2-0
	21	53.34	2-1
OBSOLETE	22	55.88	2-2
	23	58.42	2-3
9	24	60.96	2-4
	25	63.50	2-5
OBSOLETE	26	66.04	2-6
	27	68.58	2-7
OBSOLETE	28	71.12	2-8
	29	73.66	2-9
9	30	76.2	3-0
	31	78.74	3-1
	32	81.28	3-2
OBSOLETE	33	83.82	3-3
	34	86.36	3-4
9	35	88.90	3-5
	36	91.44	3-215310-6

THIS DRAWING IS A CONTROLLED DOCUMENT.		DWN L.V.D.HEYDEN 09.07.86		
DIMENSIONS: mm		CHK W.SIMONS		
TOLERANCES UNLESS OTHERWISE SPECIFIED: ± 0.1		APVD L.V.SOEST	NAME HV 100 VERTICAL CONNECTOR DUAL ROW , 8.5mm HEIGHT TOP ENTRY , TIN	
0 PLC ± -		PRODUCT SPEC 108-19056	SIZE A2	CAGE CODE 00779
1 PLC ± -		APPLICATION SPEC	DRAWING NO C=215310	
2 PLC ± -			RESTRICTED TO	
3 PLC ± -			SCALE 5:1 SHEET 1 OF 1 REV D3	
4 PLC ± -				
ANGLES ± -				
MATERIAL REFER NOTE 2	FINISH REFER NOTE 3	WEIGHT -		
		CUSTOMER DRAWING		