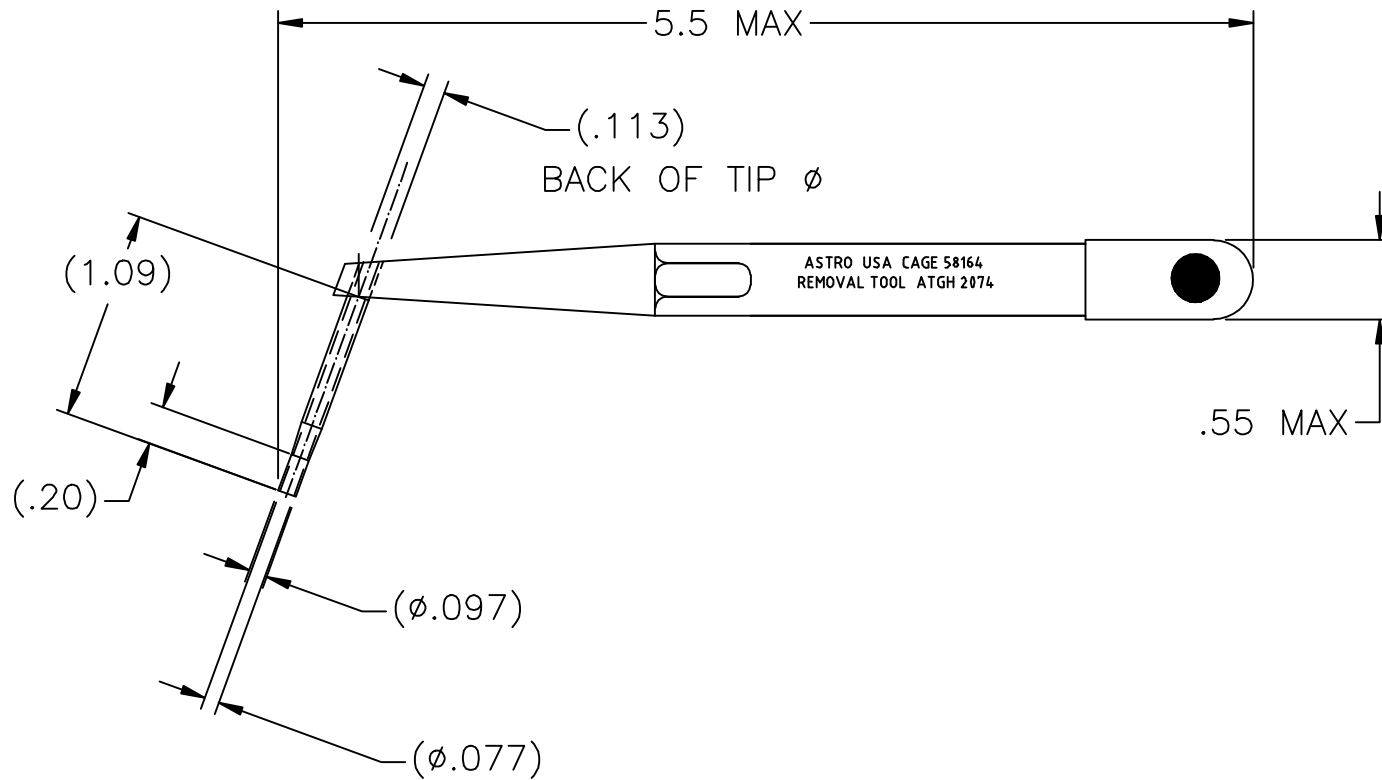


UNCONTROLLED DOCUMENT
WILL NOT BE UPDATED

FILE # ATGH 2074-ENV



2. COLOR CODE: RED AND WHITE.

NOTES: 1. THIS IS AN AUTOCAD DRAWING, DO NOT CHANGE MANUALLY.

THESE DRAWINGS, SPECIFICATIONS OR OTHER DATA ARE AND REMAIN, THE PROPERTY OF ASTRO TOOL CORP. AND MUST BE RETURNED UPON REQUEST. THEY CONTAIN INFORMATION OWNED AND/OR DEVELOPED BY ASTRO AT ITS OWN PRIVATE EXPENSE AND MAY NOT BE USED, DUPLICATED OR DISCLOSED TO OTHERS, IN WHOLE OR IN PART FOR DESIGN, MANUFACTURE OR PROCUREMENT WITHOUT THE WRITTEN PERMISSION OF ASTRO TOOL CORP. EACH AND EVERY TIME.

SCALE: 1-1
 DWN BY: DY0
 DATE: 12-07-15
 APPROVED:

UNLESS OTHERWISE SPECIFIED:
 DECIMALS:
 .XXX ± .005
 .XX ± .010
 .X ± .030
 ANGLES:
 ± 1°

		CAGE 58164
21615 S.W. TUALATIN VALLEY HWY., BEAVERTON OR 97003		
DESCRIPTION: ENVELOPE DRAWING: ATGH 2074 TWZ, REMOVAL, 20 GA.		
PART NO.	A	ATGH 2074-ENV

A	NEW RELEASE	DY0	12-07-15	MMK
REV.	DESCRIPTION	BY	DATE	APR.