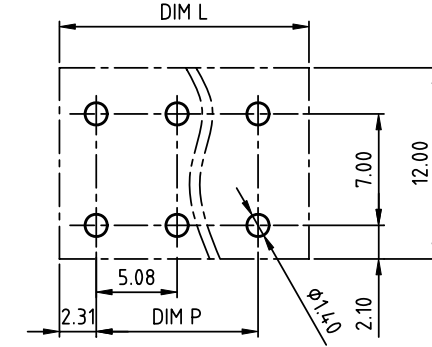
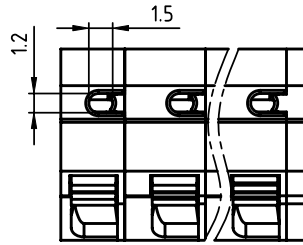
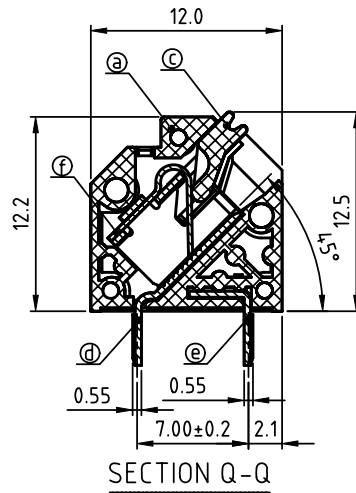


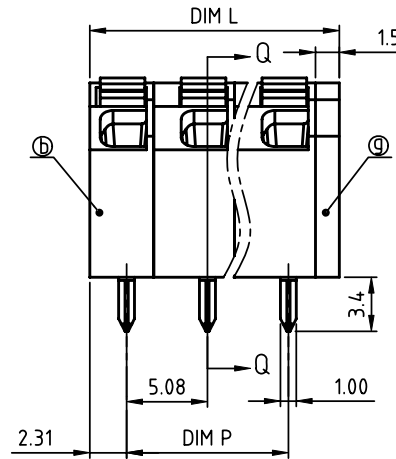
PRODUCT NUMBER	PITCH
NIxx50x000JOG	5.08mm



RECOMMENDED P.C.B LAYOUT
TOP VIEW



SECTION Q-Q



Material:

- Item① Terminal body: Thermoplastic (UL94V-0)
- Item② Terminal side body: Thermoplastic (UL94V-0)
- Item③ Terminal lever: Thermoplastic (UL94V-0) Orange RAL2011/P
- Item④ Female long contact: Brass.Tin Plated
- Item⑤ Female short contact: Brass.Tin Plated
- Item⑥ Spring clamp: Stainless steel
- Item⑦ Terminal cover: Thermoplastic (UL94V-0)

Electrical:

- Voltage rating: 300 V
- Current rating: 10A
- Wire range:
- Solid wire(AWG): 16-26
- Stranded wire(AWG): 16-26
- Wire strip length: 8-9 mm
- Withstanding Voltage: 1.6 KV
- Operating temperature: -40°C to +115°C
- Soldering temperature: 260°C ±5°C/5 Sec
- Safety Approval:

N=Number of poles
Dim L=Nx5.08+0.43
Dim P=(N-1)x5.08

POLES	Dim L	Dim P
1p	±0.10	—
2-6p	±0.10	±0.10
7-12p	±0.20	±0.20
13-18p	±0.30	±0.30
19-24p	±0.40	±0.40

PART NO.: NI xx 50 x 000JOG

No. of poles	Color	RoHS compliant
0	Black (RAL9005)	(lead<4%)
End Stackable 2	Red (RAL3001/D)	In copper Alloy
01 1 poles	3 Orange(RAL2011/P)	
02 2 poles	4 Yellow(RAL1018/A)	
...	5 Green(RAL6018/T)	
24 24 poles	6 Blue (RAL5015/A)	
	8 Grey(RAL7004/P)	
	9 White(RAL1102)	
	C Multiple colors	

mat'l. code		surface ASME Y14.5	tolerance ASME Y14.5	projection 	product family TERMINAL BLOCK
ltr	ecn no	dr	date	tolerances unless otherwise specified	title TERMINAL BLOCK
				angles $X \pm 1^\circ$	SPRING CLAMP, 45D WIRE INLET
				scale	dwg no NIxx50x000JOG
				dr EVIN ZHONG 060314	sheet 1 of 1
				enr EVIN ZHONG 060314	size A4
				chr HANKE FENG 060314	type CUSTOMER Drawing
				appd SHI JUN 060314	
sheet index	revision	A	1		