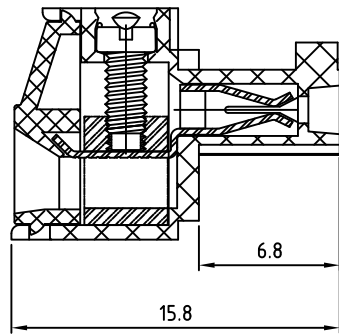
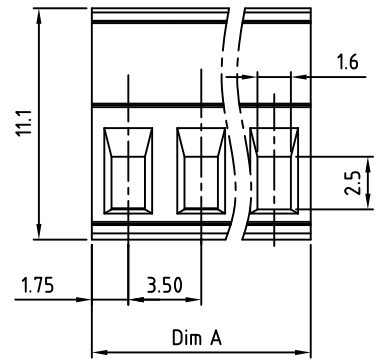
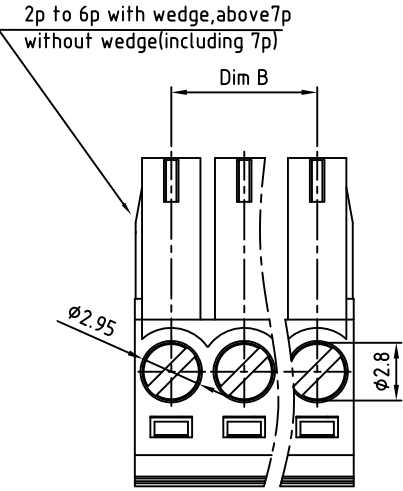


SIGN	DATE	DESCRIPTION	APPROVER
THIS IS CAD DRAWING, DO NOT REVISE MANUALLY!!!			



Material

- Clamp: Brass(CuZn), Ni plated
- Terminal screw: Steel Zinc plating "-" slot type
- Female contact: PhBz, Tin plated
- Terminal housing: PA66 (UL94V-0)
- Terminal cover: PA66 (UL94V-0)

Electrical cULus/VDE

- Voltage rating: 300VAC/300VAC
- Current rating: 8A/10.5A
- Wire range: 1.5mm
Solid wire(AWG): 16-30/16-30
Stranded wire(AWG): 16-30/16-30
- Torque: 3Lb-In/0.2N.m
- Screw: M2
- Wire strip length: 6-7mm
- Withstanding Voltage: 1.6KV/2.5KV
- Operating temperature: -40°C to +115°C
- Safety Approval:

RoHS Compliant

PART NUMBER:

OSTTJXX11530

- | | |
|--|---|
| <p>No. of Poles</p> <p>02 2 Poles</p> <p>03 3 Poles</p> <p>... ..</p> <p>24 24 Poles</p> | <p>COLOR</p> <p>0: Black</p> <p>2: Red</p> <p>3: Orange</p> <p>4: Yellow</p> <p>5: Green (Standard)</p> <p>6: Blue</p> <p>8: Grey</p> <p>0: White</p> |
|--|---|

N = Number of poles
 Dim A=Nx3.5
 Dim B=(N-1)x3.5

Poles	Dim A	Dim B
2p-6p	±0.15	±0.15
7p-12p	±0.20	±0.20
13p-18p	±0.25	±0.25
19p-24p	±0.30	±0.30

THESE DRAWINGS AND SPECIFICATIONS ARE THE PROPERTY OF ON-SHORE TECHNOLOGY, INC. AND SHALL NOT BE REPRODUCED, COPIED OR USED IN ANY MANNER WITHOUT THE PRIOR WRITTEN CONSENT OF ON-SHORE TECHNOLOGY, INC.



TITLE		OSTTJ-3.5mm Series			
PART NO.	OSTTJXX11530	DWG NO.	OSTTJXX11530.DWG		
APPROVED	CHECKED	DESIGNED	DRAWN	CUST NO.	Tolerance
		Marvin 2013.08.12	Marvin 2013.08.12		X. ±0.50 X.X ±0.30 X.XX ±0.10 X° ±1°
SHEET: 01/01				REV: F	UNIT: mm SCALE: NONE