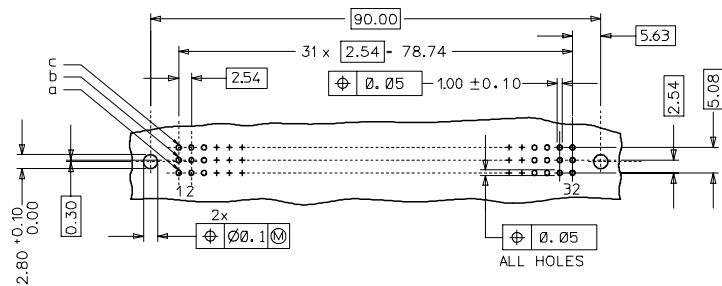
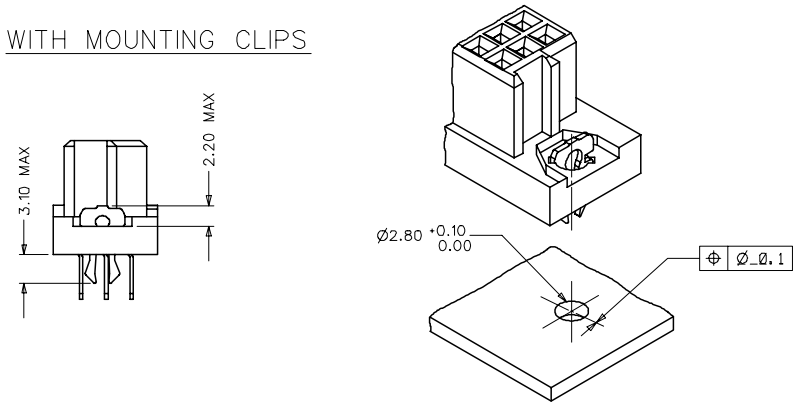


RECOMMENDED PCB LAYOUT  
COMPONENT SIDE



WITH MOUNTING CLIPS



NOTES:

- 1) MATERIALS: THERMOPLASTIC POLYESTER, GLASS FILLED, UL94V-0, COLOUR: PEBBLE GREY RAL 7032  
TERMINAL - PHOSPHOR BRONZE  
MOUNTING CLIP: STEEL
- 2) FINISH: TERMINAL:-  
CONTACT AREA:  
1. PERFORMANCE LEVEL 1: SELECTIVE GOLD (Au), THICKNESS = 1.1 MICROMETER  
OVER NICKEL, THICKNESS = 1.5 MICROMETER  
2. PERFORMANCE LEVEL 2: SELECTIVE GOLD (Au), THICKNESS = 0.6 MICROMETER  
OVER NICKEL, THICKNESS = 1.5 MICROMETER  
3. PERFORMANCE LEVEL 3: SELECTIVE GOLD (Au), THICKNESS = 0.3 MICROMETER  
OVER NICKEL, THICKNESS = 1.5 MICROMETER  
TERMINATION AREA:  
SELECTIVE TIN, THICKNESS = 5 MICROMETER  
OVER NICKEL, THICKNESS = 1.5 MICROMETER OVERALL
- 3) MOUNTING CLIP:-  
TIN (Sn), THICKNESS = 5-10 MICROMETER,  
OVER NICKEL (Ni), THICKNESS = 2.5 MICROMETER
- 4) FOR NON MOUNTING CLIP OPTION, CONNECTOR TO BE SECURED WITH  
RIVETS: 2 TUBULAR RIVETS 2.5 x 0.3 ... DIN 7340  
SCREWS: 2 CHEESEHEAD SCREWS M2.5 x ... DIN 84 AND 2 HEXAGONAL NUTS M2.5 DIN 934
- 5) MATERIAL No, BATCH CODE, UL AND CSA MARKING TO BE PRINTED ON THE CONNECTOR.
- 6) CUT FACES OF TIP WITHOUT PLATING PERMITTED.
- 7) PRODUCT SPECIFICATION PS:36500-001

RoHS COMPLIANT

ENTER DESCRIPTION E.C.N.C. 12007 0044 DRAWING APPROVED 2006/10/10 CHKD BY SSUDHIR 2006/10/11 APPROVED BY SSUDHIR 2006/10/15	QUALITY SYMBOLS ▽=0 ▽=0	GENERAL TOLERANCES (UNLESS SPECIFIED)		DIMENSION STYLE MM ONLY		SCALE 2:1	DESIGN UNITS METRIC	THIRD ANGLE PROJECTION
		4 PLACES ± 0.15	± 0.15	DRAWN BY SSUDHIR	DATE 2000/09/22	TITLE ASSEMBLY DIN 41612 C FEMALE 96 POS 1.0MM PCB DIA		
REV C1	DESCRIPTION	3 PLACES ± 0.05	± 0.05	CHECKED BY G.L.	DATE 2000/09/22	MATERIAL NO. SD-36500-001		DOCUMENT NO. SD-36500-001
		2 PLACES ± 0.1	± 0.1	APPROVED BY G.L.	DATE 2000/09/22	SHEET NO. 1 OF 2		
DRAFT WHERE APPLICABLE MUST REMAIN WITHIN DIMENSIONS		1 PLACE ± 0.15	± 0.15	THIS DRAWING CONTAINS INFORMATION THAT IS PROPRIETARY TO MOLEX INCORPORATED AND SHOULD NOT BE USED WITHOUT WRITTEN PERMISSION				

	20	19	18	17	16	15	14	13	12	11	10	9	8	7	6	5	4	3	2	1	
	MATERIAL No	MOLEX ENG No	PERF LEVEL	PLATING	CONTACT SEQUENCE/ROW	DIM "L" mm	MOUNTING CLIP	FLUX PROOF													
	36500-0001	MM-B2401-C960	1	Au+Ni	1.2.3....32 a+b+c	2.9	NO	NO													
	36500-0002	MM-B2501-C960	2	Au+Ni	1.2.3....32 a+b+c	2.9	NO	NO													
	36500-0003	MM-B2601-C960	3	Au+Ni	1.2.3....32 a+b+c	2.9	NO	NO													
	36500-0007	MM-B2401-C910	1	Au+Ni	1.2.3....32 a+b+c	2.9	YES	NO													
	36500-0008	MM-B2501-C910	2	Au+Ni	1.2.3....32 a+b+c	2.9	YES	NO													
	36500-0009	MM-B2601-C910	3	Au+Ni	1.2.3....32 a+b+c	2.9	YES	NO													
	36500-0013	MM-B2401-C960-133	1	Au+Ni	1.2.3....32 a+b+c	2.9	NO	YES													
	36500-0014	MM-B2501-C960-133	2	Au+Ni	1.2.3....32 a+b+c	2.9	NO	YES													
	36500-0015	MM-B2601-C960-133	3	Au+Ni	1.2.3....32 a+b+c	2.9	NO	YES													
	36500-0019	MM-B2401-C910-133	1	Au+Ni	1.2.3....32 a+b+c	2.9	YES	YES													
	36500-0020	MM-B2501-C910-133	2	Au+Ni	1.2.3....32 a+b+c	2.9	YES	YES													
	36500-0021	MM-B2601-C910-133	3	Au+Ni	1.2.3....32 a+b+c	2.9	YES	YES													
	36500-0025	MM-B2402-C960	1	Au+Ni	1.2.3....32 a+b+c	4.5	NO	NO													
	36500-0026	MM-B2502-C960	2	Au+Ni	1.2.3....32 a+b+c	4.5	NO	NO													
	36500-0027	MM-B2602-C960	3	Au+Ni	1.2.3....32 a+b+c	4.5	NO	NO													
	36500-0031	MM-B2402-C910	1	Au+Ni	1.2.3....32 a+b+c	4.5	YES	NO													
	36500-0032	MM-B2502-C910	2	Au+Ni	1.2.3....32 a+b+c	4.5	YES	NO													
	36500-0033	MM-B2602-C910	3	Au+Ni	1.2.3....32 a+b+c	4.5	YES	NO													
	36500-0037	MM-B2402-C960-133	1	Au+Ni	1.2.3....32 a+b+c	4.5	NO	YES													
	36500-0038	MM-B2502-C960-133	2	Au+Ni	1.2.3....32 a+b+c	4.5	NO	YES													
	36500-0039	MM-B2602-C960-133	3	Au+Ni	1.2.3....32 a+b+c	4.5	NO	YES													
	36500-0043	MM-B2402-C910-133	1	Au+Ni	1.2.3....32 a+b+c	4.5	YES	YES													
	36500-0044	MM-B2502-C910-133	2	Au+Ni	1.2.3....32 a+b+c	4.5	YES	YES													
	36500-0045	MM-B2602-C910-133	3	Au+Ni	1.2.3....32 a+b+c	4.5	YES	YES													

RoHS COMPLIANT

<b>ENTER DESCRIPTION</b> ELC INC 12007 0044 DRWNGSATTI/MARAD 2006/10/10 CHKD/SSUDHIR 2006/10/11 APPR/SSUDHIR 2006/10/15 C1	<b>QUALITY SYMBOLS</b> 	<b>GENERAL TOLERANCES (UNLESS SPECIFIED)</b>		<b>DIMENSION STYLE</b> MM ONLY		<b>SCALE</b> ---	<b>DESIGN UNITS</b> METRIC	<b>THIRD ANGLE PROJECTION</b>	
		4 PLACES ± 0.15 ± ---	INCH	DRAWN BY SSUDHIR	DATE 2000/09/22	<b>TITLE</b> ASSEMBLY DIN 41612 C FEMALE 96 POS 1.0MM PCB DIA			
		3 PLACES ± 0.05 ± ---	mm	CHECKED BY G.L	DATE 2000/09/22	<b>MATERIAL NO.</b> SEE CHART			
		2 PLACES ± 0.1 ± ---	mm	APPROVED BY G.L	DATE 2000/09/22	<b>DOCUMENT NO.</b> SD-36500-001			
1 PLACE ± 0.15 ± ---		ANGULAR ± 2°		DRAFT WHERE APPLICABLE MUST REMAIN WITHIN DIMENSIONS		SIZE A 1	THIS DRAWING CONTAINS INFORMATION THAT IS PROPRIETARY TO MOLEX INCORPORATED AND SHOULD NOT BE USED WITHOUT WRITTEN PERMISSION		
						<b>SHEET NO.</b> 2 OF 2			