

## Overview

The KEMET SC Coils, SC-JS Terminal Base Type AC

## Applications

- Consumer Electronics
- Common mode choke

## Benefits

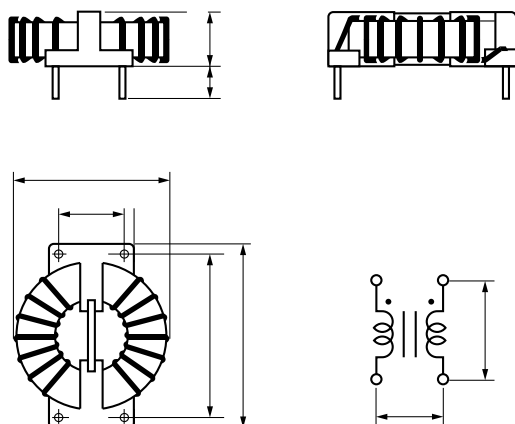
- Inductances up to 2.0 mH
- Rated Currents up to 3 A



## Part Number System

SC-	02-	20	JS
Series	Rated Current (A)	Minimum Inductance (mH)	Terminal Base Type
SC-	0x- = x A (e.g., 02- = 2 A)	x0 = x mH (e.g., 20 = 2 mH) xx = x.x mH (e.g., 15 = 1.5 mH) 0x = 0.x mH (e.g., 08 = 0.8 mH)	JS

## Dimensions – Millimeters



## Environmental Compliance

All KEMET AC Line Filters are RoHS Compliant.



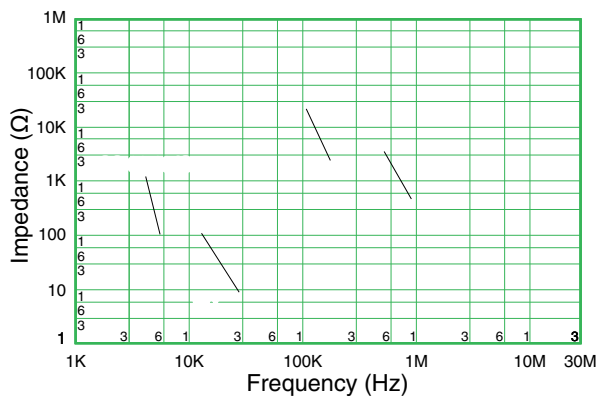
RoHS Compliant

Table 1 – Ratings & Part Number Reference

Part Number	Rated Current <b>AC (A)</b>	Inductance (mH) Minimum	DC Resistance/ Line (mΩ) Maximum	Temperature Rise (K) Maximum	Wire Diameter (mm)	Weight (g) Approximate
SC-02-10JS	2	1.0	100	40	0.5	8.0
SC-02-15JS	2	1.5	120	40	0.5	8.5
SC-02-20JS	2	2.0	120	40	0.5	9.0
SC-03-08JS	3	0.8	60	40	0.6	9.0
SC-03-10JS	3	1.0	80	40	0.6	9.0

## Specifications

## Frequency Characteristics



## KEMET Electronics Corporation Sales Offices

---

### Disclaimer

property damage.

*KEMET is a registered trademark of KEMET Electronics Corporation.*