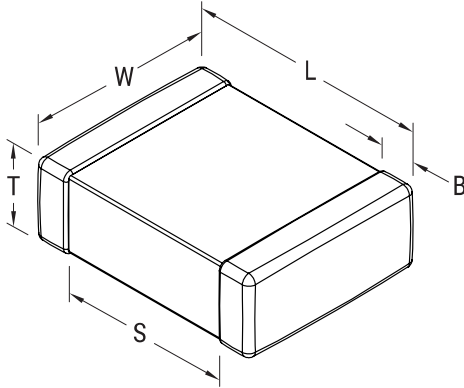


SMD Auto COG, Ceramic, 270 pF, 5%, 100 VDC, COG, SMD, MLCC, Ultra-Stable, Low Loss, Automotive Grade, 0603



**Dimensions**

<b>L</b>	1.6mm +/-0.15mm
<b>W</b>	0.8mm +/-0.15mm
<b>T</b>	0.8mm +/-0.07mm
<b>S</b>	0.7mm MIN
<b>B</b>	0.35mm +/-0.15mm

**Packaging Specifications**

<b>Packaging:</b>	T&R, 180mm, Paper Tape
<b>Packaging Quantity:</b>	4000

**General Information**

<b>Supplier:</b>	KEMET
<b>Series:</b>	SMD Auto COG
<b>Style:</b>	SMD Chip
<b>Description:</b>	SMD, MLCC, Ultra-Stable, Low Loss, Automotive Grade
<b>Features:</b>	Ultra-Stable, Low Loss, Automotive Grade
<b>RoHS:</b>	Yes
<b>Termination:</b>	Tin
<b>Marking:</b>	No
<b>Qualifications:</b>	AEC-Q200
<b>AEC-Q200:</b>	Yes
<b>Chip Size:</b>	0603

**Specifications**

<b>Capacitance:</b>	270 pF
<b>Capacitance Tolerance:</b>	5%
<b>Voltage DC:</b>	100 VDC
<b>Dielectric Withstanding Voltage:</b>	250 V
<b>Temperature Range:</b>	-55/+125C
<b>Temperature Coefficient:</b>	COG
<b>Dissipation Factor:</b>	0.10% 1MHz 25C
<b>Aging Rate:</b>	0% Loss/Decade Hour
<b>Insulation Resistance:</b>	100 GOhms