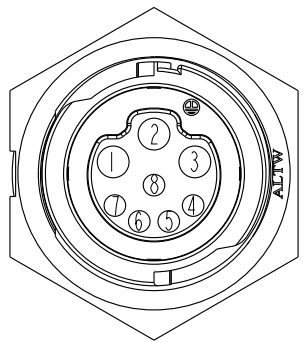
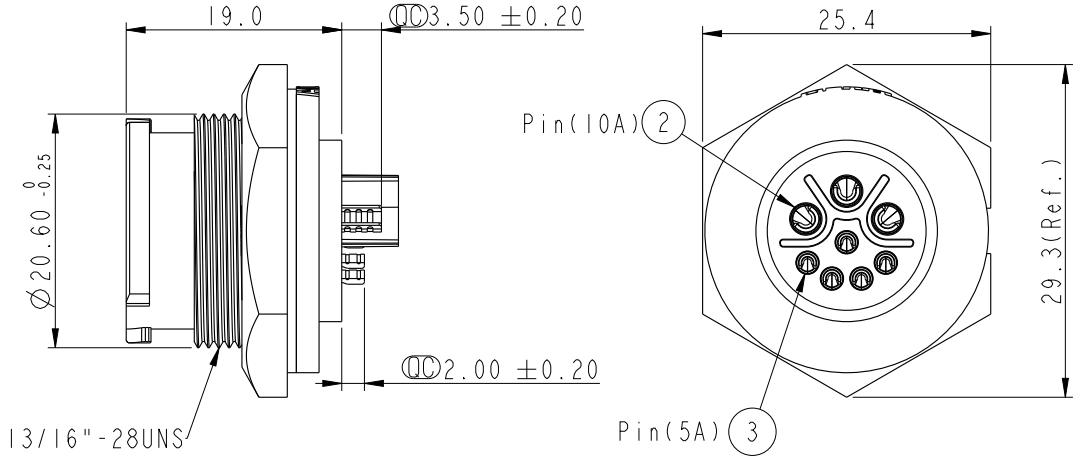
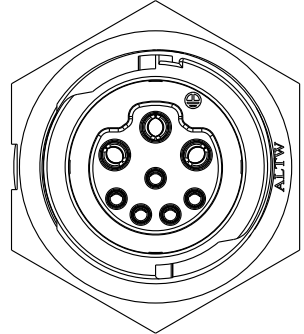
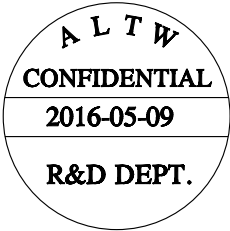
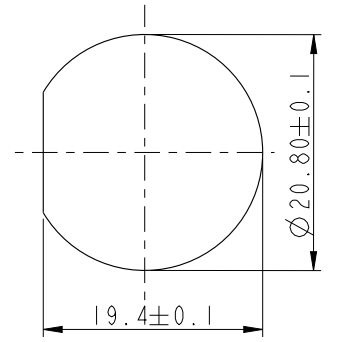


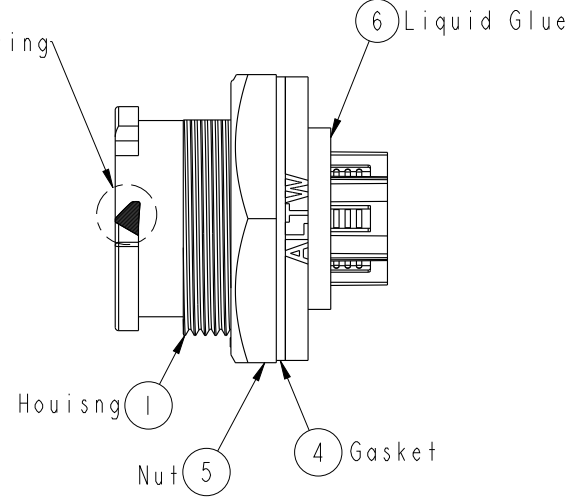
REV.	ECN NO.	DATE	SIGN	DESCRIPTION
A	Initial Release	2016-05-09	Spring	Change Rev.01 To Rev.A



Pin Assignments  
Front View



Recommender Panel Cut-Out



- Note:
- \*  $\text{CC}$  Important Dimension To Check.
  - \* Waterproof Rate: IP68(Unmated)  
In 1 meter water within 24 hours
  - \* Working Voltage Rating:  
Power AC/DC 300V  
Data DC 30V
  - \* Working Current:  
Power: 10A  
Data: 05A
  - \* Housing: Nylon+GF, Black
  - \* Pin: Copper Alloy, Gold Plated
  - \* Nut: Nylon+GF, Black
  - \* Gasket: Silicone, Gray
  - \* Use without waterproof cap  
panel thickness max:4.2mm
  - \* Use with waterproof cap  
panel thickness max:3.0mm

UNIT:mm		
TOLERANCE	±0.25	

TITLE X-Lok C Size Hybrid Receptacle 8 Pin M Connector F Pin			
SCALE 3:2	SIZE A4	SHEET 1 OF 1	
REV. A	WC-REV. A.2	$\text{CC}$ : Inspection item	

**Amphenol LTW**  
安費諾亮泰企業股份有限公司

ITEM NO. CBD-08PMFS-QC8001	DRAWN BY Spring	DATE 2016-05-09
DWG NO. CBD-08PMFS-QC8001	CHECKED BY Fisher	DATE 2016-05-09
CUSTOMER ALTW	APPROVED BY Kevin Hu	DATE 2016-05-09

THIS DOCUMENT IS SUBJECT TO CHANGE WITHOUT NOTICE. IT IS CONFIDENTIAL AND A PROPERTY OF Amphenol LTW. DISCLOSURE TO THIRD PARTY HAS TO BE AUTHORIZED BY Amphenol LTW.