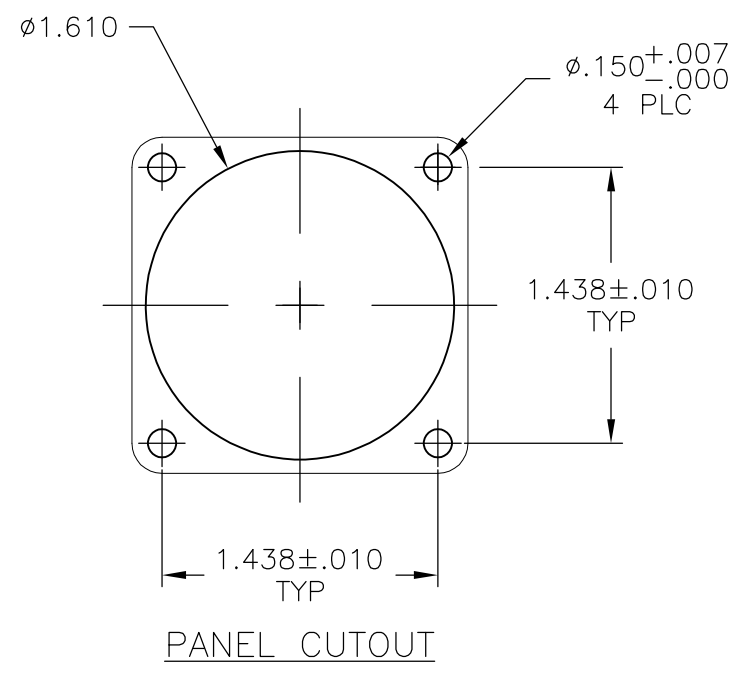
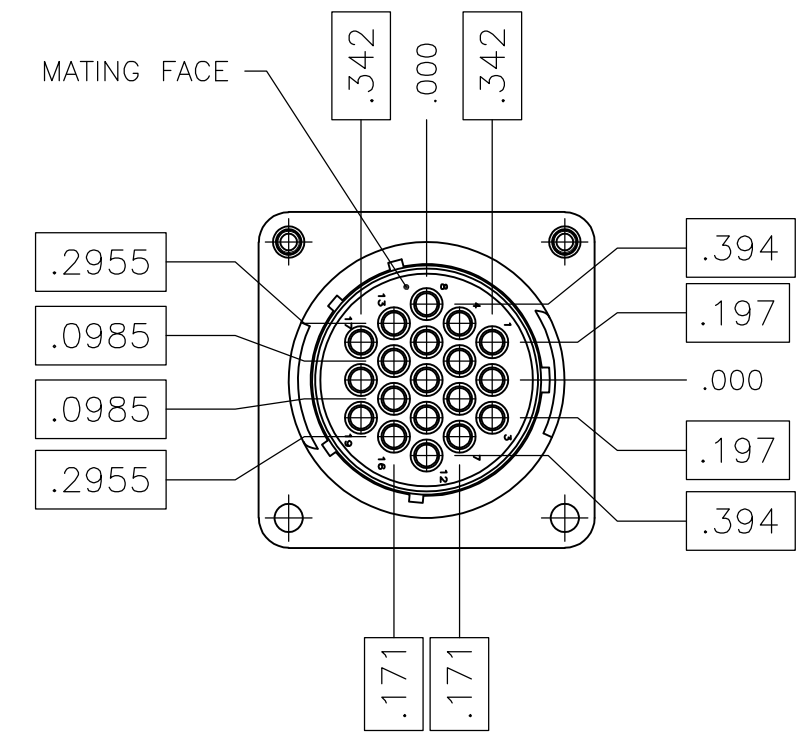
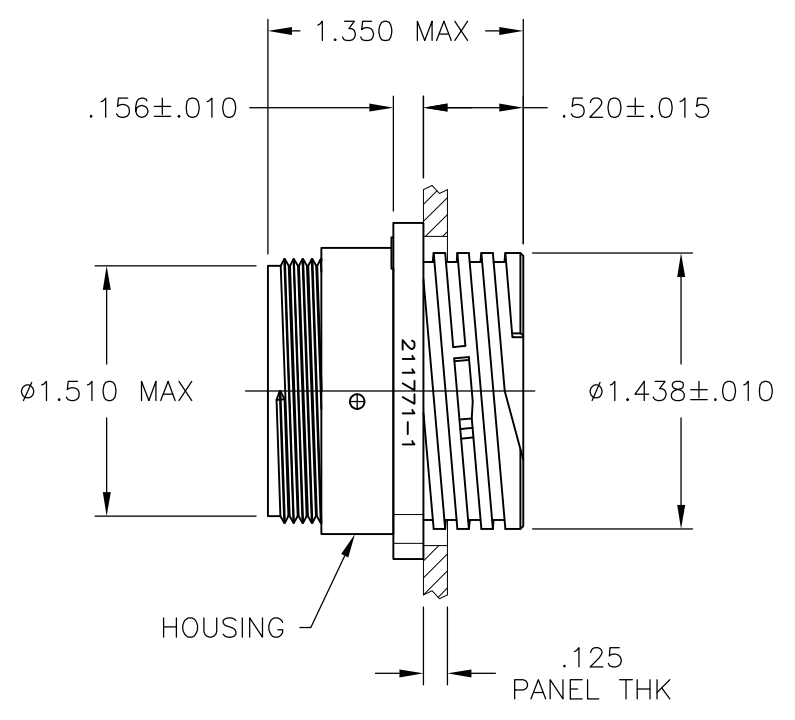
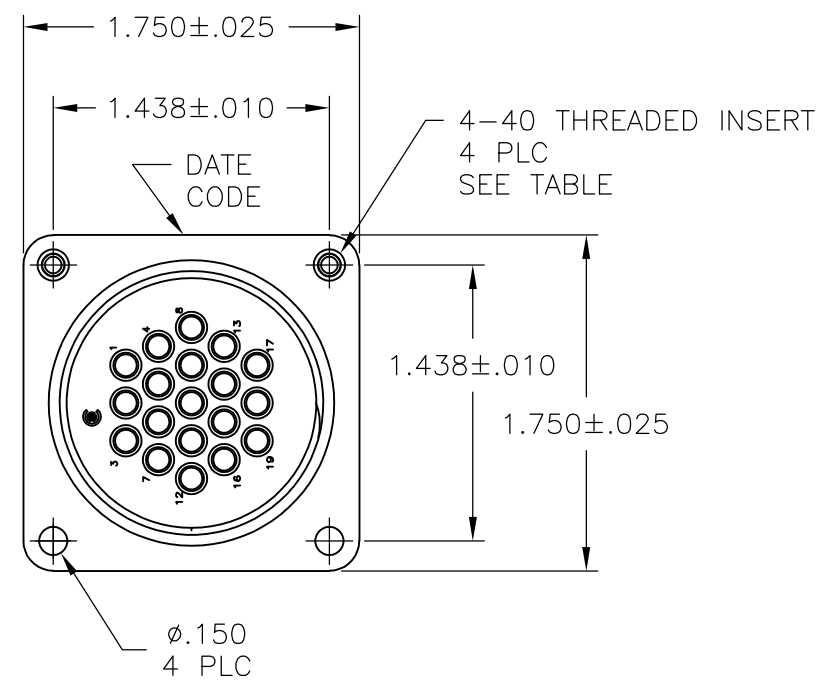


THIS DRAWING IS UNPUBLISHED. RELEASED FOR PUBLICATION - , - .
 © COPYRIGHT - By - ALL RIGHTS RESERVED.

LOC	DIST	REVISIONS					
FT	0	P	LTR	DESCRIPTION	DATE	DWN	APVD
				D1	REVISED PER ECO-11-004917	11MAR11	RK HMR

- NOTES:
- ① HOUSING: NYLON, BLACK.
THREADED INSERTS: BRASS.
 - 2. WILL ACCEPT (19) MULTIMATE PIN CONTACTS.



YES	NORMAL	211771-2
NO	NORMAL	211771-1
4-40 THREADED INSERTS	KEYING	PART NUMBER

THIS DRAWING IS A CONTROLLED DOCUMENT.		DWN	C.OBERMAN	8-16-94	STE TE Connectivity		
DIMENSIONS: INCHES		CHK	R.STONE	8-17-94			
TOLERANCES UNLESS OTHERWISE SPECIFIED:		APVD	-	10-3-94	NAME		
0 PLC $\pm -$		PRODUCT SPEC	-	10-3-94	RECEPTACLE HOUSING, STD SEX, SERIES I, SHELL SIZE 23, CPC		
1 PLC $\pm -$		APPLICATION SPEC	-	-	SIZE	CAGE CODE	DRAWING NO
2 PLC $\pm .005$		WEIGHT	-	-	A3	00779	C-211771
3 PLC $\pm -$		CUSTOMER DRAWING		SCALE	1:1	SHEET	1 OF 1
4 PLC $\pm -$				REV	D1		
ANGLES $\pm -$							
FINISH							
MATERIAL							
①							