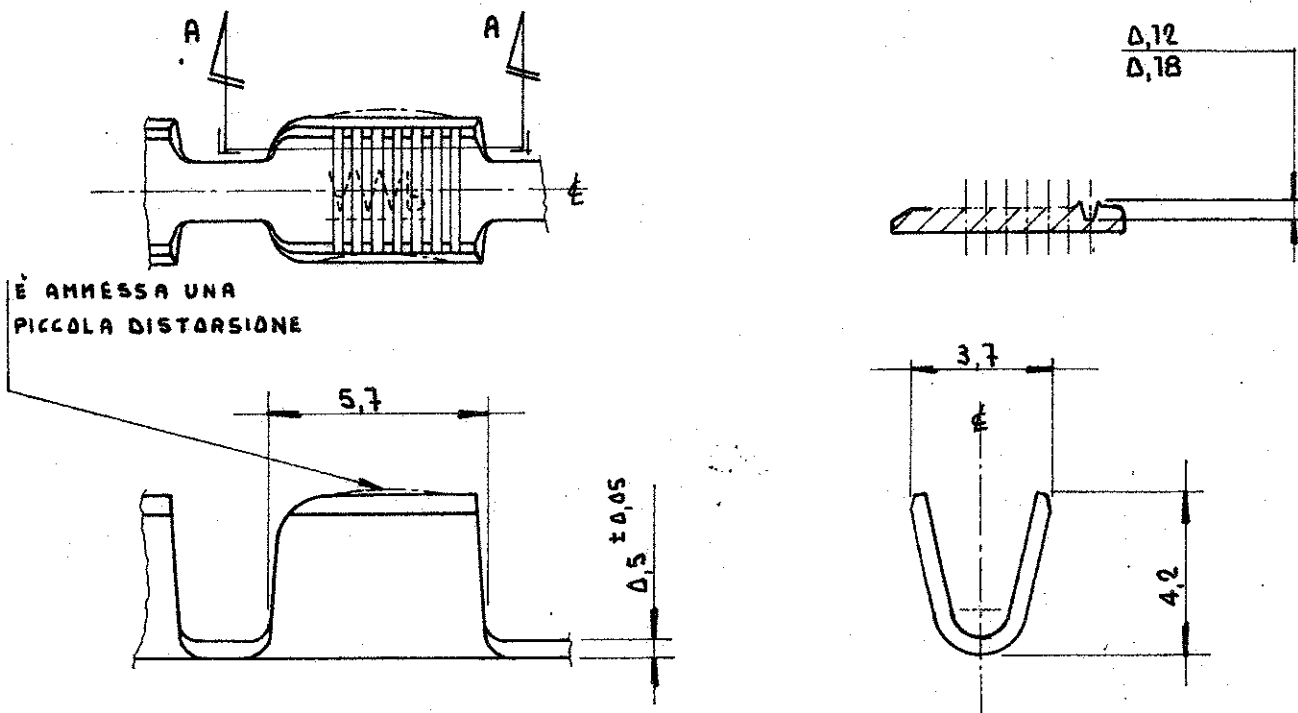


NUMBER
C-280538

PROIEZIONE AMERICANA

SEZ. A-A



STAGNATO	BRONZO FOSFORATO	280538 -4 *
—	BRONZO FOSFORATO	280538 -3 *
STAGNATO	OTTONE	280538 -2
—	OTTONE	280538 -1
FINITURA	MATERIALE	AMP P.N.

OBSOLETE

* Non ancora in Produzione.

DIMENSIONS IN MM. DO NOT SCALE PRINT.

				© 1974 BY AMP INCORPORATED. ALL RIGHTS RESERVED. AMP PRODUCTS COVERED BY PATENTS AND/OR PATENTS PENDING.		CUSTOMER COPY REFERENCE ONLY	
				MATERIAL AND FINISH		AMP ITALIA VIA CERVI 15 COLLEGNO (TORINO)	
E	Revised for ET00-0241-93	18/9/74		VEDI TABELLA		CLASS N	
B	REVISIONATO	6-9-77		WIRE RANGE 1500 CMA		INSULATION N	
A	IN PRODUZIONE P.N. 1/2	22-10-74		TOLERANCE EXCEPT AS NOTED ± 0.4 ± 10°		SCALE 5:1	
1	P.N. ERA IA-74-5136	16-5-74		LOC I		NO A	
LTR	REVISION RECORD	DR	CHK	DATE		C-280538	
DR	12-4-74	DE		NAME		AMPLIVAR SPLICE 7 SERRATIONS OFFSET TO SHEARED END	
CHK	30 APRILE 74	APP					