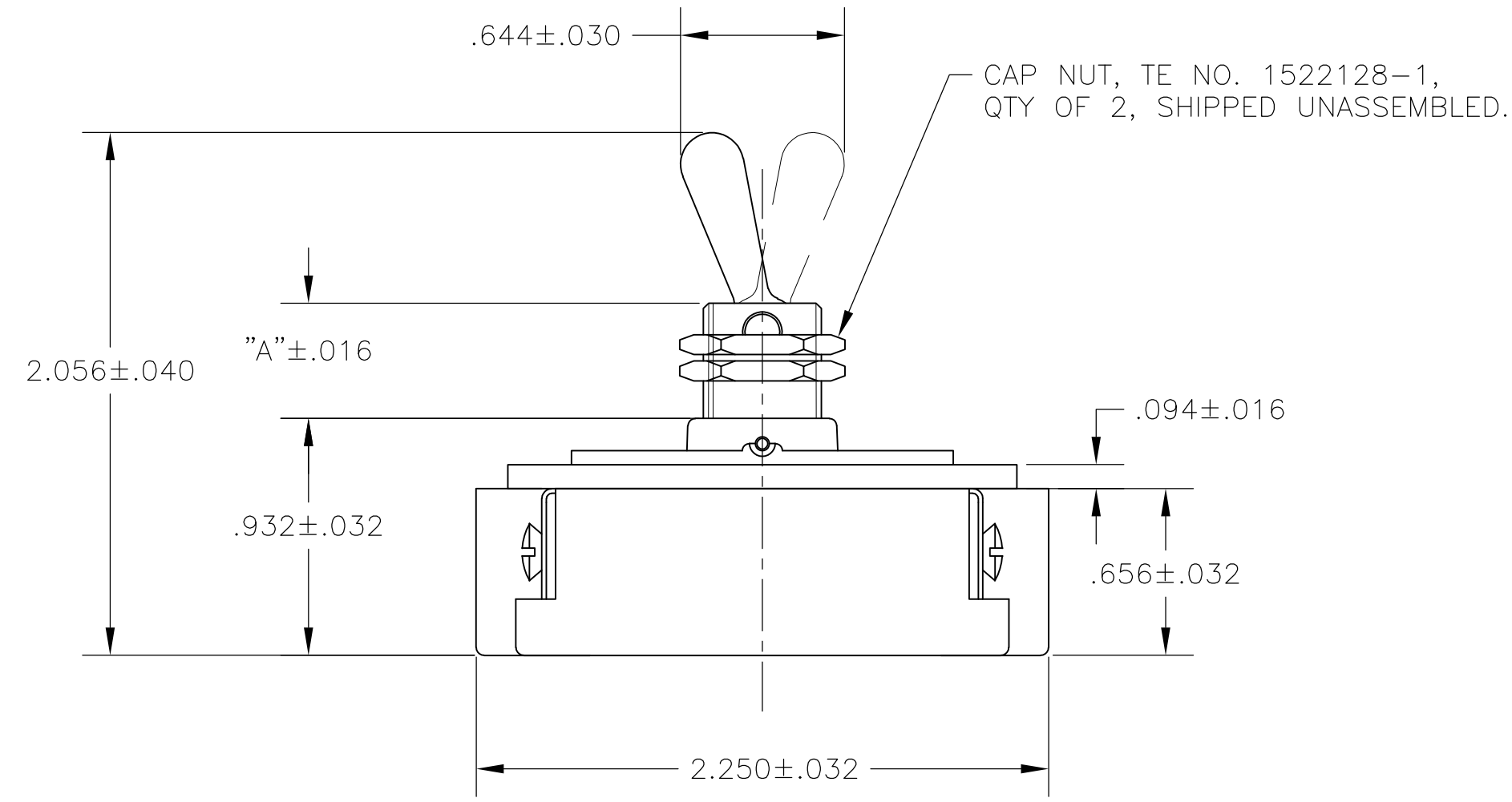
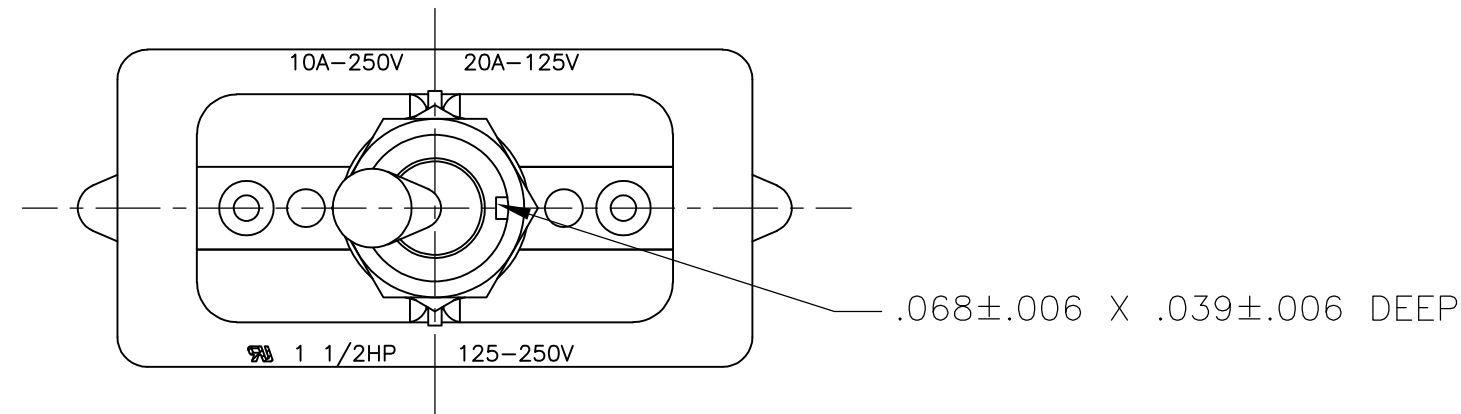
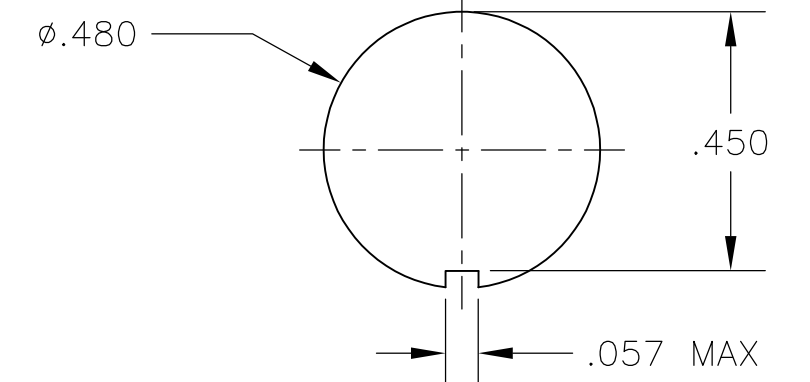
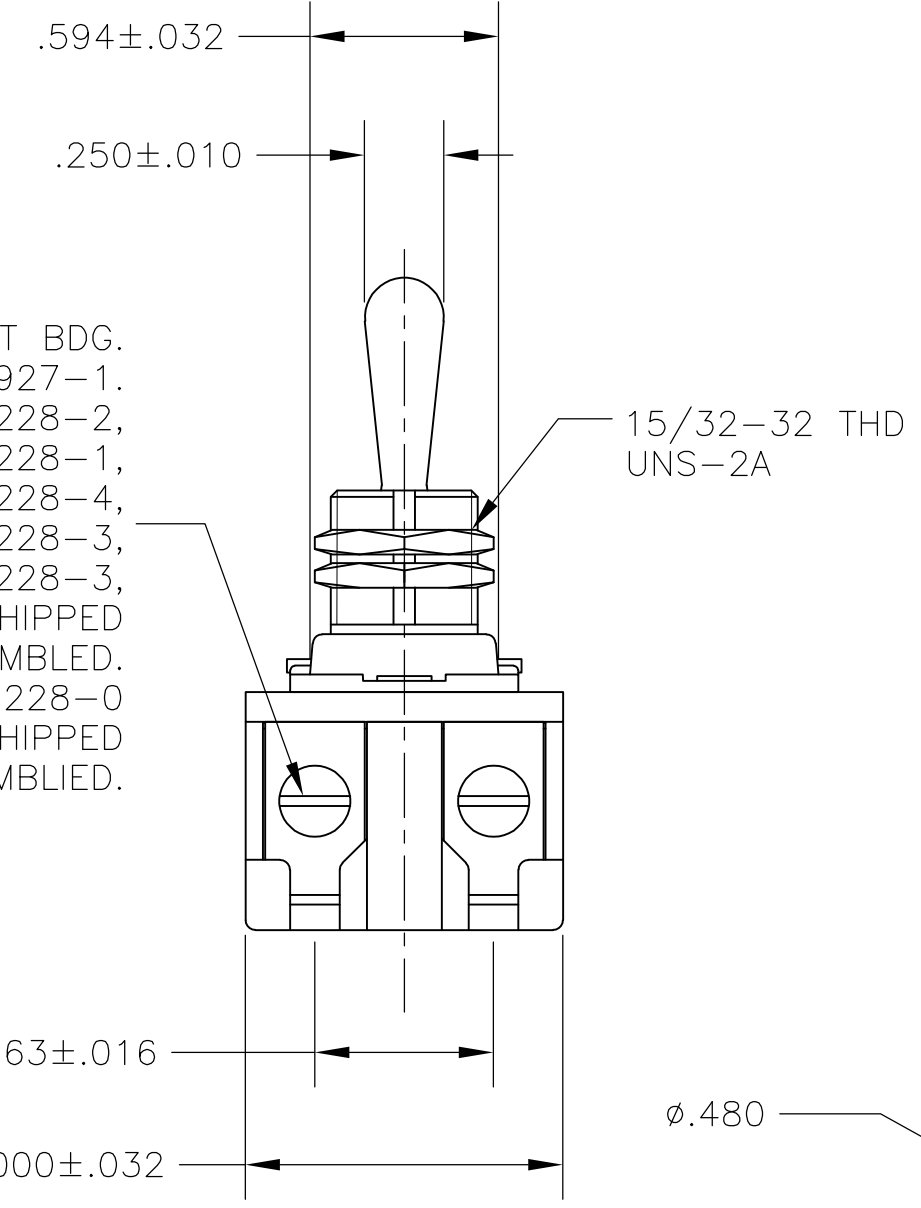


THIS DRAWING IS UNPUBLISHED. RELEASED FOR PUBLICATION  
 © COPYRIGHT - By - ALL RIGHTS RESERVED.

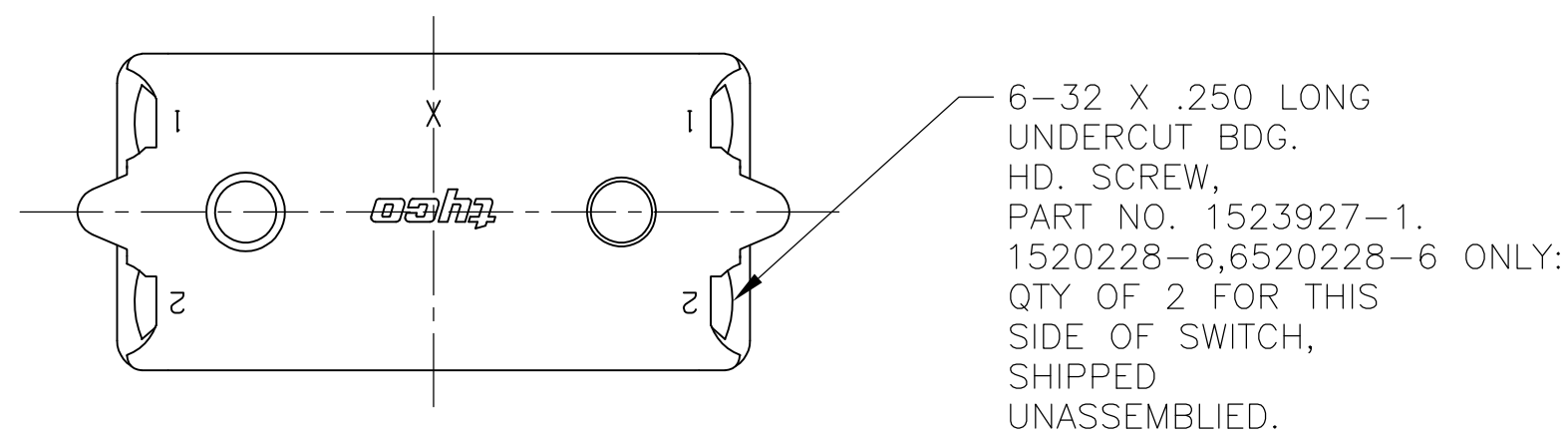
| LOC |     | DIST        |                          | REVISIONS |      |     |  |
|-----|-----|-------------|--------------------------|-----------|------|-----|--|
| P   | LTR | DESCRIPTION | DATE                     | DWN       | APVD |     |  |
| AD  | 00  | B2          | REVISD PER ECO-11-004587 | 11MAR11   | RK   | HMR |  |



6-32 X .250 LONG UNDERCUT BDG. HD. SCREW, PART NO. 1523927-1. SWITCHES 1520228-1, 1520228-2, 1520228-3, 1-1520228-1, 2-1520228-3, 2-1520228-4, 6520228-1, 6520228-2, 6520228-3, 1-6520228-1, 2-6520228-3, 2-6520228-4: QTY OF 4, SHIPPED UNASSEMBLED. SWITCH 1-1520228-0, 1-6520228-0 ONLY: QTY OF 4, SHIPPED ASSEMBLED.



RECOMMENDED PANEL CUTOUT DIMENSIONS SCALE 3:1



- 1 T-PAK - SWITCH AND HARDWARE INDIVIDUALLY PACKED IN PLASTIC BAGS BEFORE BEING PLACED IN A INTERMEDIATE BOX WHICH IS THEN PLACED IN A SHIPPING BOX. SEE TABLE.
- 2 P/N X-6520228-X IS ROHS COMPLIANT.
- 3 MOUNTING DIMENSIONS FOR REFERENCE ONLY.

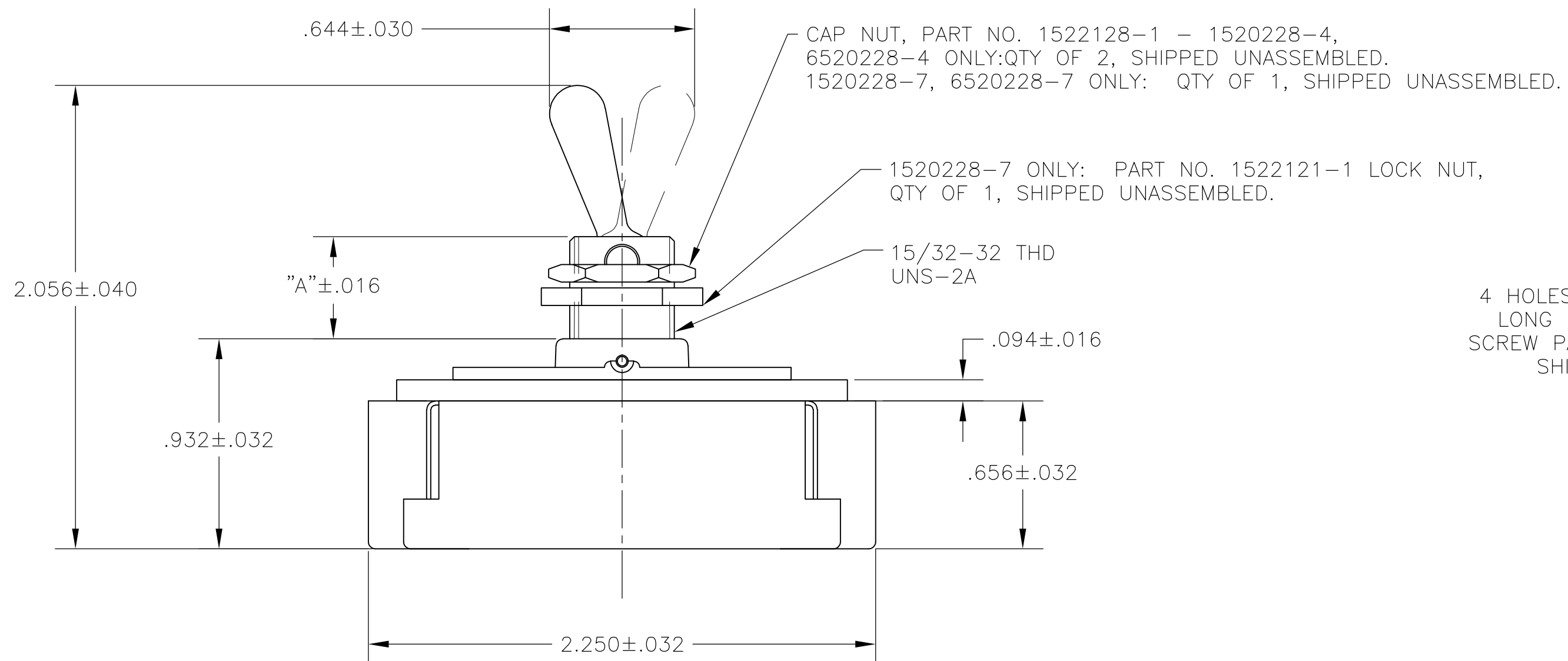
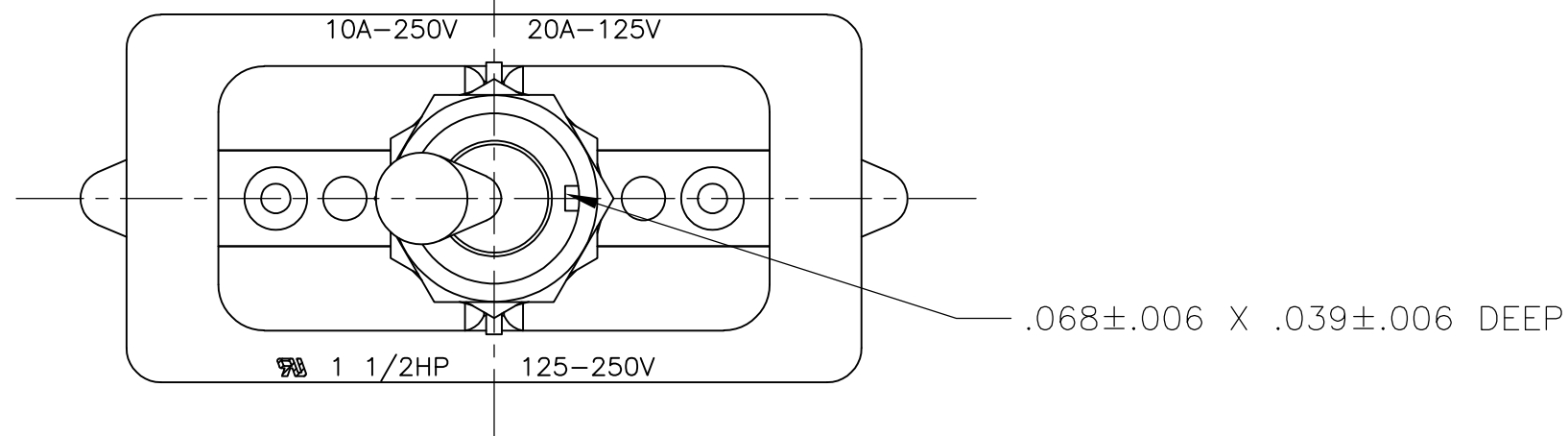
|                         |              |                            |      |                   |
|-------------------------|--------------|----------------------------|------|-------------------|
| 2-1520228-4/2-6520228-4 | 7360K8 T-PAK | 15/32" THD LENGTH DIE CAST | .469 | DPST              |
| 2-1520228-3/2-6520228-3 | 7360K7 T-PAK | 11/32" THD LENGTH DIE CAST | .344 | DPST              |
| 1-1520228-1/1-6520228-1 | 8910K219     | 15/32" THD LENGTH DIE CAST | .469 | DPST              |
| 1-1520228-0/1-6520228-0 | 8910K205     | 11/32" THD LENGTH DIE CAST | .344 | DPST              |
| 1520228-6/6520228-6     | 7362K4       | 15/32" THD LENGTH DIE CAST | .469 | SPST WITH BUSSING |
| 1520228-3/6520228-3     | 7360K7       | 11/32" THD LENGTH DIE CAST | .344 | DPST              |
| 1520228-2/6520228-2     | 7359K3       | 15/32" THD LENGTH DIE CAST | .469 | DPST              |
| 1520228-1/6520228-1     | 7359K2       | 11/32" THD LENGTH DIE CAST | .344 | DPST              |
| PART NO.                | ARAB NO.     | BUSHING / PLATE ASSY       | A    | DESCRIPTION       |

90-345

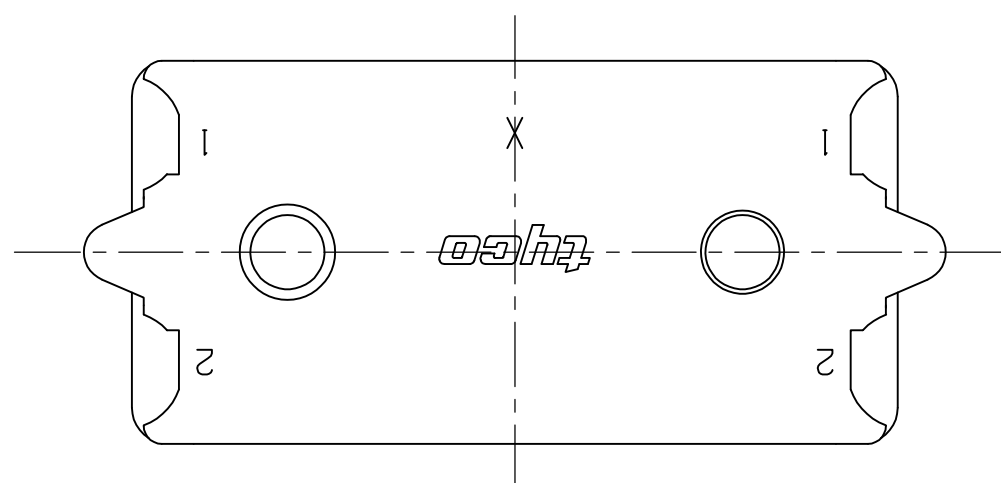
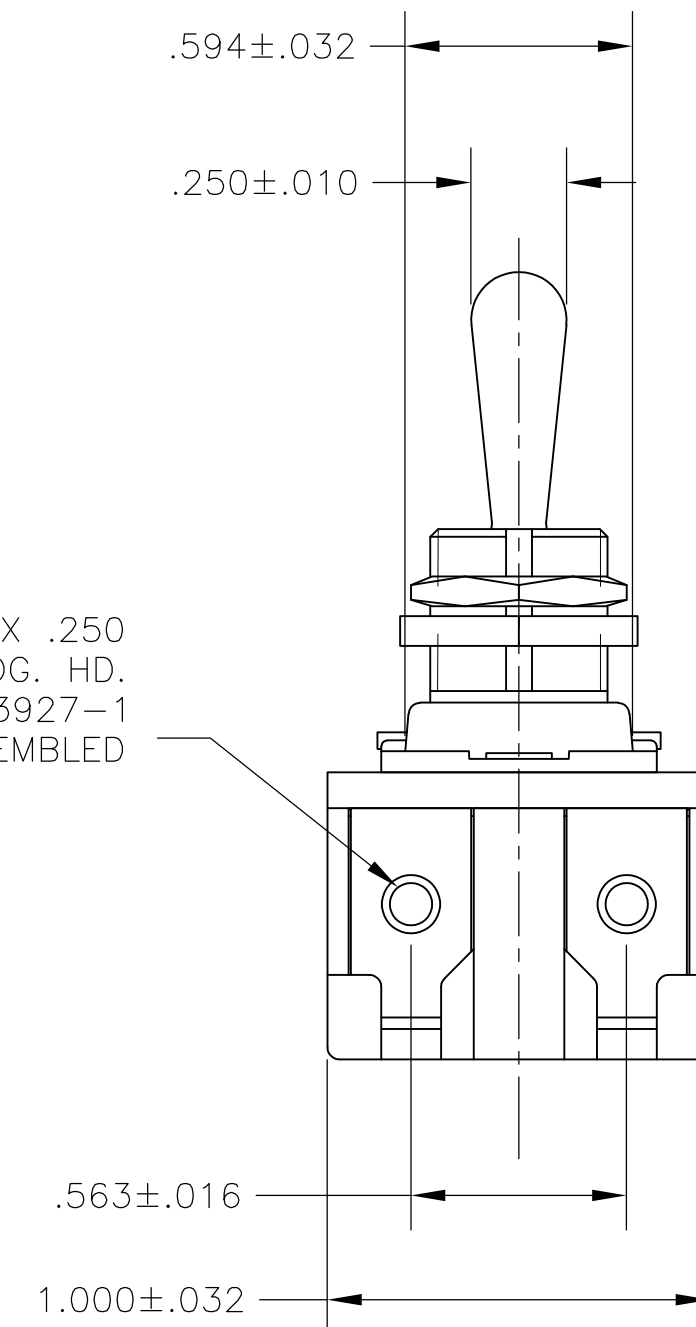
|  |     |                  |         |   |         |
|--|-----|------------------|---------|---|---------|
| THIS DRAWING IS A CONTROLLED DOCUMENT. |     | DWN              | 26SEP02 | <b>TE</b> TE Connectivity   |         |
| DIMENSIONS: INCHES                     |     | CHK              | -       |   |         |
| TOLERANCES UNLESS OTHERWISE SPECIFIED: |     | APVD             | -       | NAME  |         |
| 0 PLC                                  | ± - | PRODUCT SPEC     |         | 20 AMP 125V AC/DC, 10 AMP 250V AC/DC, 1 1/2 HP 125V/250V AC/DC, ONE HOLE MOUNTING TOOL HANDLE TOGGLE SWITCH |         |
| 1 PLC                                  | ± - | APPLICATION SPEC |         | SIZE  | A2      |
| 2 PLC                                  | ± - | WEIGHT           |         | CAGE CODE   | 00779   |
| 3 PLC                                  | ± - | CUSTOMER DRAWING |         | DRAWING NO  | 1520228 |
| 4 PLC                                  | ± - | SCALE            |         | RESTRICTED TO   | -       |
| ANGLES                                 | ± - | SHEET            |         | 1 of 4  |         |
| FINISH                                 | -   | REV              |         | B2  |         |

THIS DRAWING IS UNPUBLISHED. RELEASED FOR PUBLICATION  
 © COPYRIGHT - By - ALL RIGHTS RESERVED.

| LOC | DIST | REVISIONS   |      |     |      |
|-----|------|-------------|------|-----|------|
| P   | LTR  | DESCRIPTION | DATE | DWN | APVD |
| AD  | 00   | SEE SHEET 1 | -    | -   | -    |



4 HOLES FOR 6-32 X .250  
 LONG UNDERCUT BDG. HD.  
 SCREW PART NO. 1523927-1  
 SHIPPED UNASSEMBLED



- 1 T-PAK - SWITCH AND HARDWARE INDIVIDUALLY PACKED IN PLASTIC BAGS BEFORE BEING PLACED IN AN INTERMEDIATE BOX WHICH IS THEN PLACED IN A SHIPPING BOX. SEE TABLE.
- 2 P/N X-6520228-X IS ROHS COMPLIANT.
- 3 MOUNTING DIMENSIONS FOR REFERENCE ONLY.

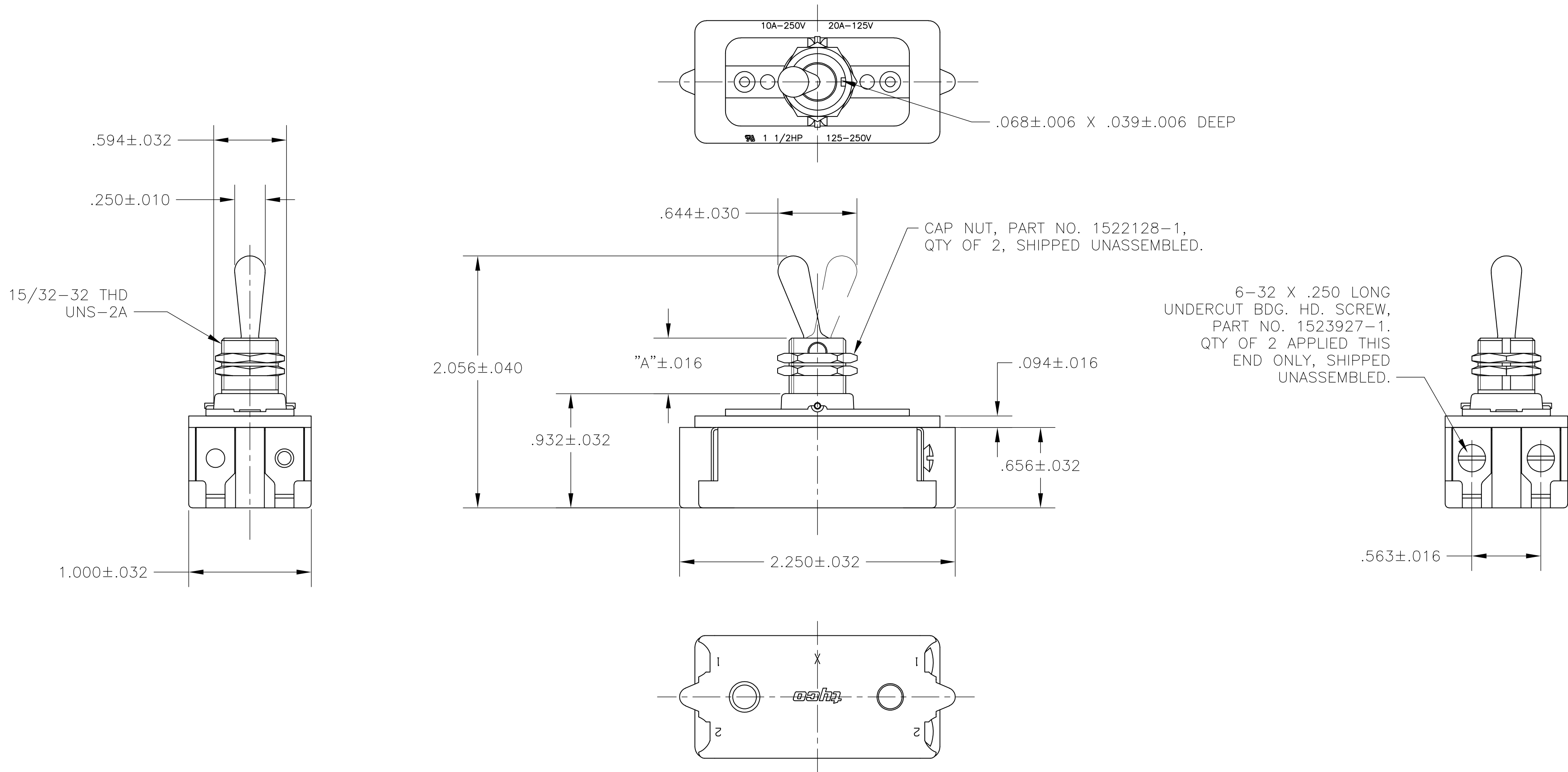
91-399

| PART NO.            | ARAB NO. | BUSHING / PLATE ASSY       | A    | DESCRIPTION                     |
|---------------------|----------|----------------------------|------|---------------------------------|
| 1520228-7/6520228-7 | 8909K23  | 15/32" THD LENGTH DIE CAST | .469 | DPST T-PAKED W/SPECIAL HARDWARE |
| 1520228-4/6520228-4 | 7360K8   | 15/32" THD LENGTH DIE CAST | .469 | DPST                            |

|   |  |                               |   |                    |
|---|--|-------------------------------|---|--------------------|
| THIS DRAWING IS A CONTROLLED DOCUMENT.                                      |  | DWN<br>W. HANSON<br>29APR93   | TE Connectivity   |                    |
| DIMENSIONS: INCHES  |  | CHK<br>W. LeonorD<br>02MAY93  |   |                    |
| TOLERANCES UNLESS OTHERWISE SPECIFIED:                                      |  | APVD<br>E. WESOLEK<br>03MAY93 | NAME<br>20 AMP 125V AC/DC, 10 AMP 250V AC/DC,<br>1 1/2 HP 125V/250V AC/DC, ONE HOLE MOUNTING<br>TOOL HANDLE TOGGLE SWITCH |                    |
| 0 PLC ± -<br>1 PLC ± -<br>2 PLC ± -<br>3 PLC ± -<br>4 PLC ± -<br>ANGLES ± - |  | PRODUCT SPEC<br>-             | SIZE<br>A2  | CAGE CODE<br>00779 |
| MATERIAL<br>-   |  | FINISH<br>-                   | DRAWING NO<br>C=1520228   | RESTRICTED TO<br>- |
|   |  | WEIGHT<br>-                   | SCALE<br>2:1  | SHEET<br>2 of 4    |
|   |  | CUSTOMER DRAWING              | REV<br>B2   |                    |

THIS DRAWING IS UNPUBLISHED. RELEASED FOR PUBLICATION  
 © COPYRIGHT - By - ALL RIGHTS RESERVED.

| LOC | DIST | REVISIONS   |      |     |      |
|-----|------|-------------|------|-----|------|
| P   | LTR  | DESCRIPTION | DATE | DWN | APVD |
| AD  | 00   | SEE SHEET 1 | -    | -   | -    |



- 1 T-PAK - SWITCH AND HARDWARE INDIVIDUALLY PACKED IN PLASTIC BAGS BEFORE BEING PLACED IN A INTERMEDIATE BOX WHICH IS THEN PLACED IN A SHIPPING BOX. SEE TABLE.
- 2 PLY-O-PAK - SWITCH AND HARDWARE INDIVIDUALLY PACKED IN PLASTIC BAGS BEFORE BEING PACKED LOOSE IN A SHIPPING BOX. SEE TABLE.
- 3 P/N X-6520228-X IS ROHS COMPLIANT.
- 4 MOUNTING DIMENSIONS FOR REFERENCE ONLY.

| PART NO.                | ARAB NO. | BUSHING / PLATE ASSY | A                          | DESCRIPTION |                  |
|-------------------------|----------|----------------------|----------------------------|-------------|------------------|
| 2-1520228-5/2-6520228-5 | 7361K5   | T-PAK                | 15/32" THD LENGTH DIE CAST | .469        | SPST             |
| 1520228-9/6520228-9     | 8910K191 |                      | 15/32" THD LENGTH DIE CAST | .469        | SPST (PLY-O-PAK) |
| 1520228-5/6520228-5     | 7361K5   |                      | 15/32" THD LENGTH DIE CAST | .469        | SPST             |

THIS DRAWING IS A CONTROLLED DOCUMENT.

|      |             |         |
|------|-------------|---------|
| DWN  | J. SMITH    | 13DEC77 |
| CHK  | R. GLENN    | 13DEC77 |
| APVD | M.R. DUMMER | 13DEC77 |

TE Connectivity

NAME: 20 AMP 125V AC/DC, 10 AMP 250V AC/DC, 1 1/2 HP 125V/250V AC/DC, ONE HOLE MOUNTING TOOL HANDLE TOGGLE SWITCH

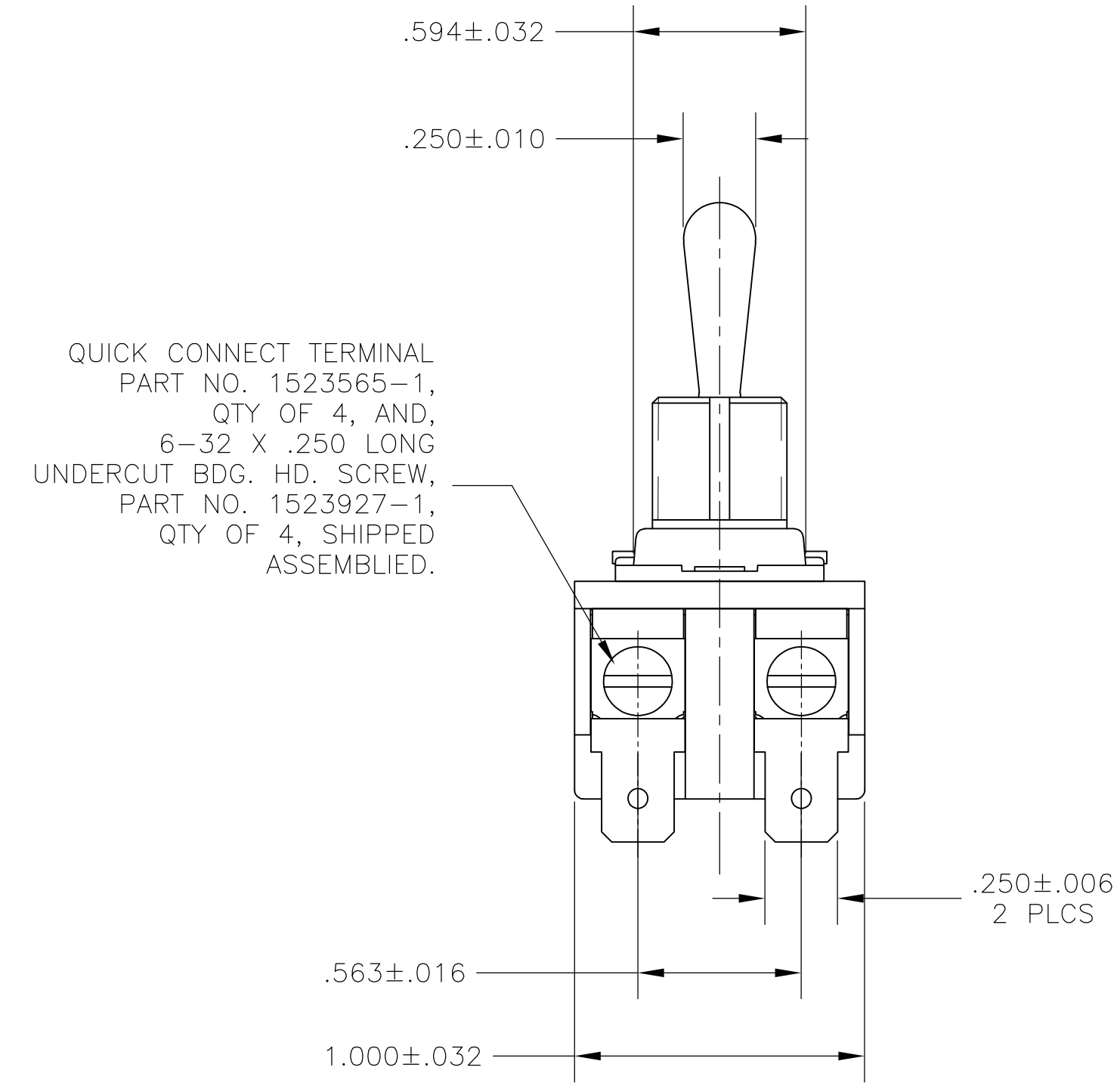
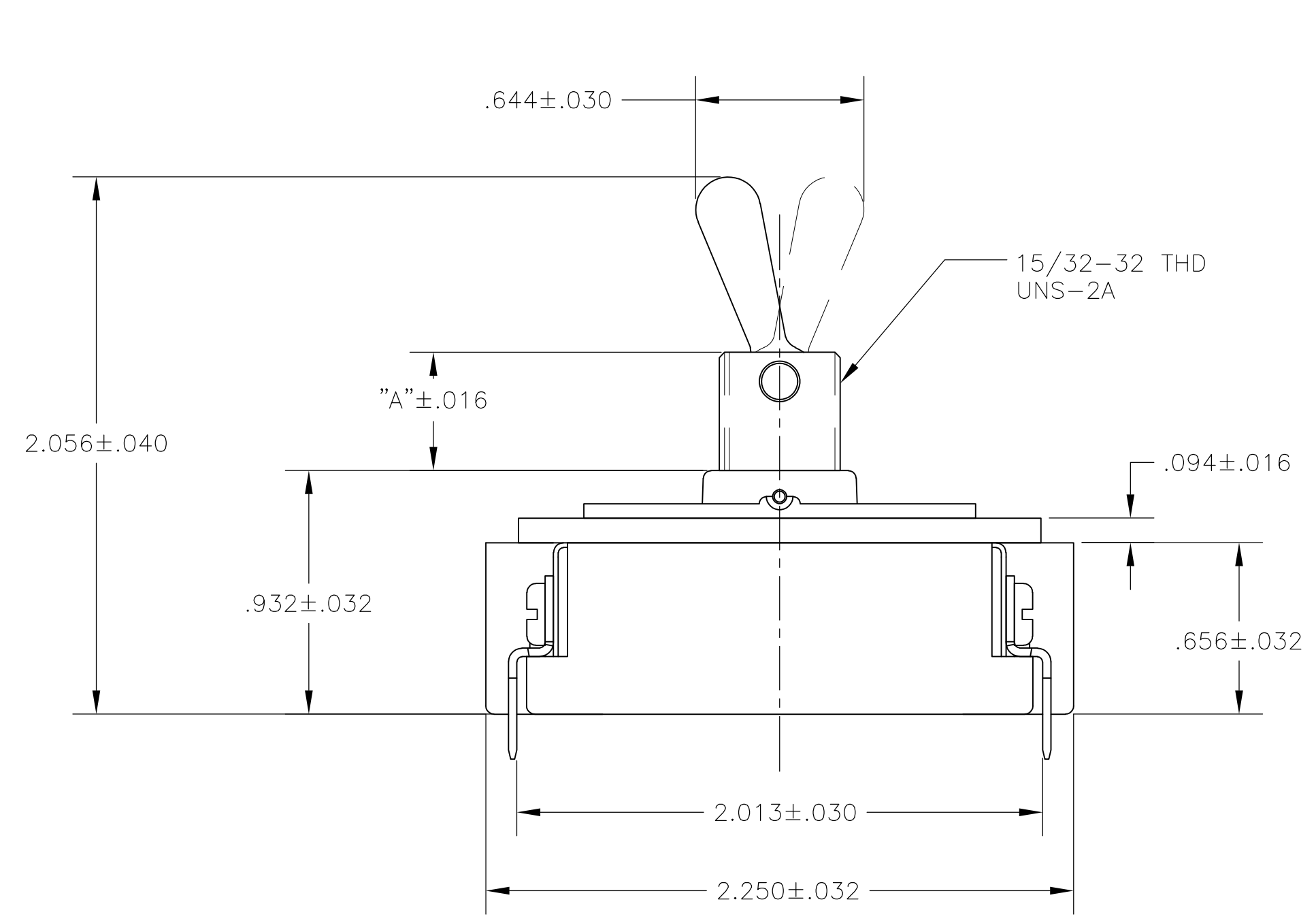
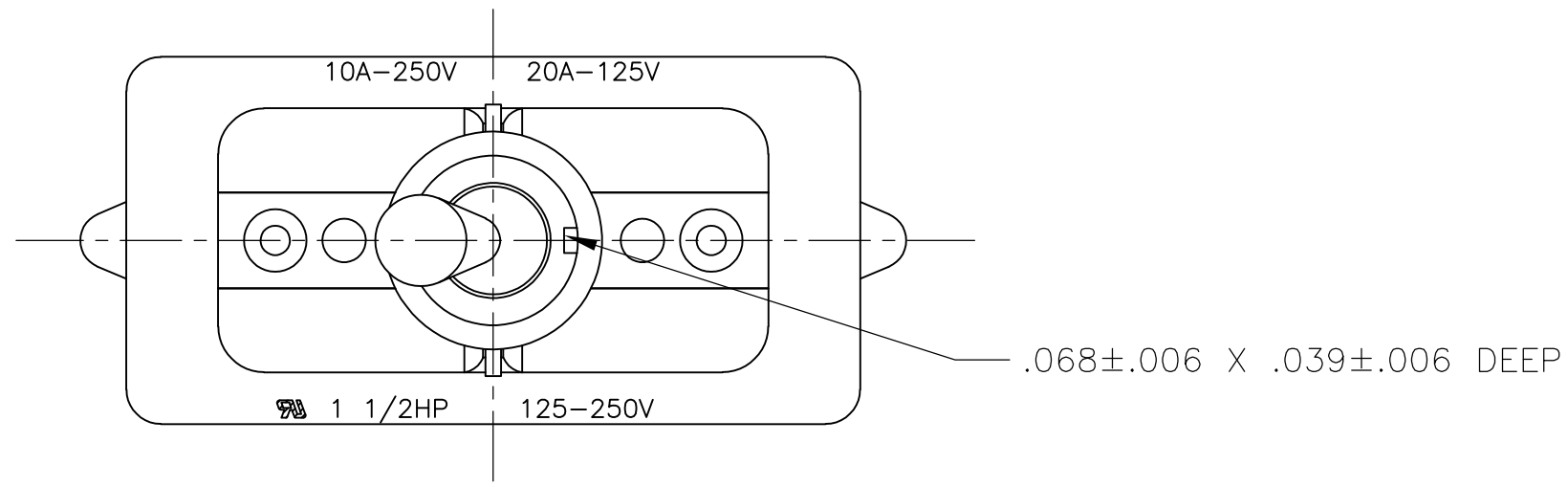
|                  |       |           |       |            |           |               |   |
|------------------|-------|-----------|-------|------------|-----------|---------------|---|
| SIZE             | A2    | CAGE CODE | 00779 | DRAWING NO | C=1520228 | RESTRICTED TO | - |
| CUSTOMER DRAWING | SCALE | NTS       | SHEET | 3 of 4     | REV       | B2            |   |

1520228

90-7016

THIS DRAWING IS UNPUBLISHED. RELEASED FOR PUBLICATION  
 © COPYRIGHT - By - ALL RIGHTS RESERVED.

| LOC | DIST | REVISIONS   |      |     |      |
|-----|------|-------------|------|-----|------|
| P   | LTR  | DESCRIPTION | DATE | DWN | APVD |
| AD  | 00   | SEE SHEET 1 | -    | -   | -    |



- 1 P/N X-6520228-X IS ROHS COMPLIANT.
- 2 MOUNTING DIMENSIONS FOR REFERENCE ONLY.

91-601

| PART NO.            | ARAB NO. | BUSHING / PLATE ASSY       | A    | DESCRIPTION |
|---------------------|----------|----------------------------|------|-------------|
| 1520228-8/6520228-8 | 8910K12  | 15/32" THD LENGTH DIE CAST | .469 | DPST        |

|  |  |                           |  |                 |
|--|--|---------------------------|--|-----------------|
| THIS DRAWING IS A CONTROLLED DOCUMENT. |  | DWN T.CHRISTENSEN 25OCT95 | <b>TE</b> TE Connectivity  |                 |
| DIMENSIONS: INCHES                     |  | CHK W.HANSON 01NOV95      |  |                 |
| TOLERANCES UNLESS OTHERWISE SPECIFIED: |  | APVD M.R.DUMMER 09NOV95   | NAME 20 AMP 125V AC/DC, 10 AMP 250V AC/DC, 1 1/2 HP 125V/250V AC/DC, ONE HOLE MOUNTING TOOL HANDLE TOGGLE SWITCH |                 |
| 0 PLC ± -                              |  | PRODUCT SPEC -            | SIZE A2  | CAGE CODE 00779 |
| 1 PLC ± -                              |  | APPLICATION SPEC -        | DRAWING NO C=1520228   | RESTRICTED TO - |
| 2 PLC ± -                              |  | WEIGHT -                  | SCALE 2:1  | SHEET 4 of 4    |
| 3 PLC ± -                              |  | MATERIAL -                | REV B2   |                 |
| 4 PLC ± -                              |  | FINISH -                  |  |                 |
| ANGLES ± -                             |  | CUSTOMER DRAWING          |  |                 |