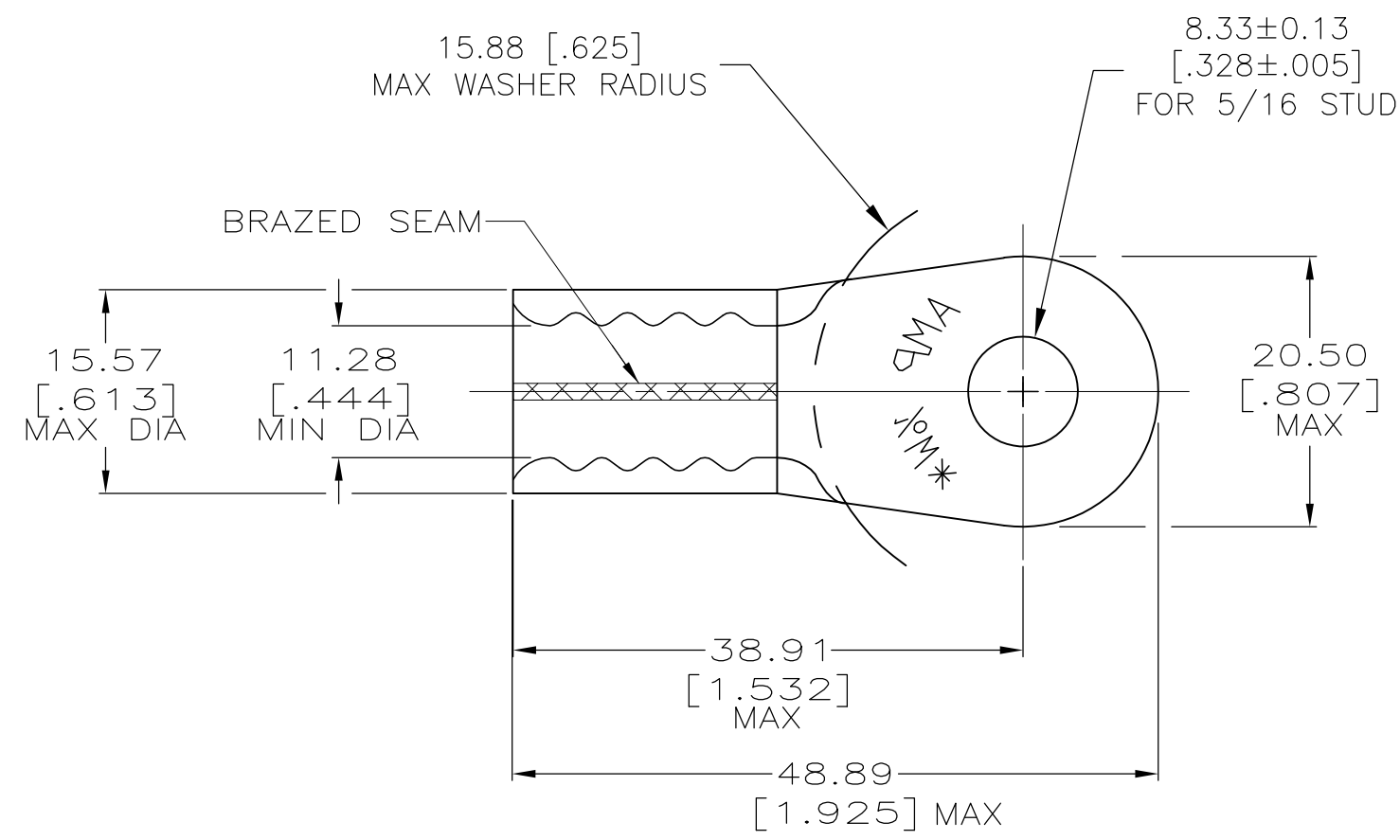


LOC	DIST	REVISIONS					
G	14	P	LTR	DESCRIPTION	DATE	DWN	APVD
			F4	REVISED PER ECO-11-004917	11MAR11	RK	HMR



<b>AMP</b> WIRE RANGE	E13288 Listed
1/0 AWG SOLID OR STRANDED	1/0 AWG SOLID OR STRANDED
LR7189 Certified	MILITARY P/N AND CLASS
1/0 AWG SOLID OR STRANDED	3

- 1 TIN PL 0.00254[.000100] MIN THK PER ASTM B-545
- 2 NICKEL PLATE 0.00762 [.000300] MIN EXT. THK PER QQ-N-290
- 3 MS20659-151 CLASS 2

170°C	25	SMALL		COPPER ASTM B-152 1.78 ±0.08 [.070 ±.003] ANNEALED	8-321867-3
343°C	50	STANDARD			321867-2
170°C	50	STANDARD			321867
MAX TEMP RATING	QTY	PACKAGE TYPE	FINISH	MATERIAL	PART NO.
MAX RECOMMENDED OPERATING TEMPERATURE: SEE TABLE	THIS DRAWING IS A CONTROLLED DOCUMENT.			DWN 8/30/91 DK SCHRUM	TE Connectivity
VOLTAGE RATING: N/A	DIMENSIONS: mm[INCHES]	TOLERANCES UNLESS OTHERWISE SPECIFIED:		CHK 9/30/91 RD HEIM	
CIRCULAR MIL AREA: 42.4-60.6mm <sup>2</sup> [83,700-118,500]		0 PLC ± -	1 PLC ± -	APVD 9/30/91 AJ KAUFMAN	SIZE
MATERIAL SEE TABLE	FINISH SEE TABLE	2 PLC ± 0.20[.008]	3 PLC ± -	PRODUCT SPEC	CAGE CODE
		4 PLC ± -	ANGLES ± -	APPLICATION SPEC	DRAWING NO
				WEIGHT	RESTRICTED TO
				CUSTOMER DRAWING	SCALE 2:1
					SHEET 1 OF 1
					REV F4