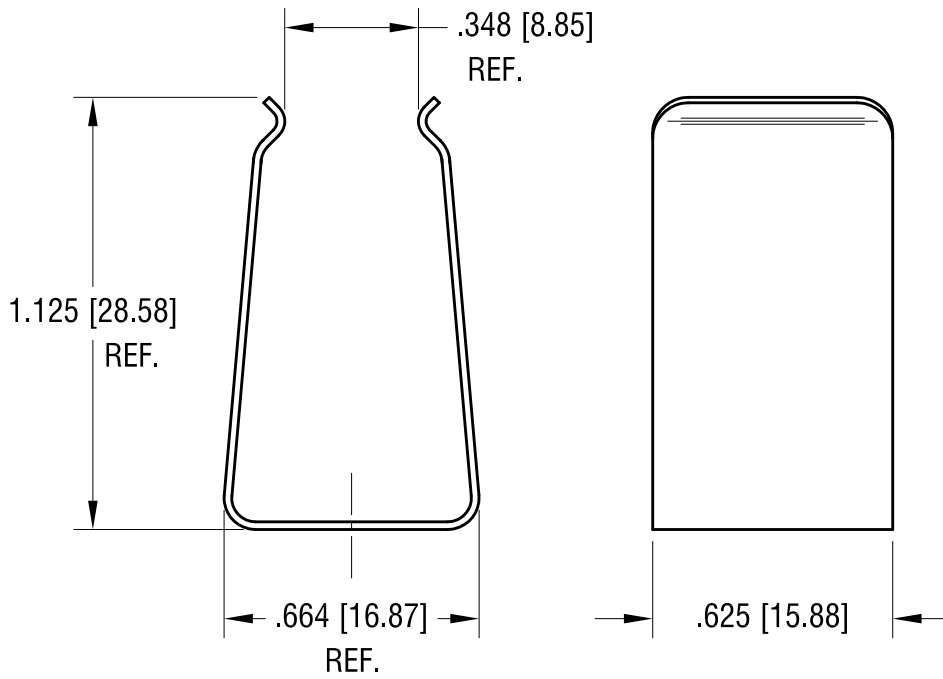
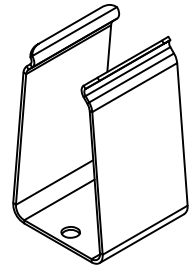
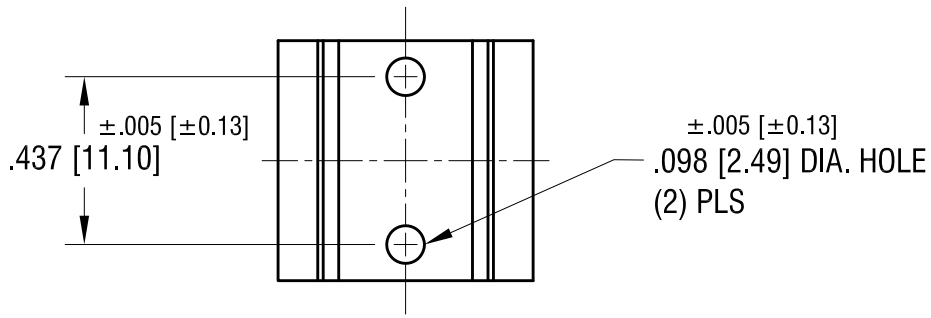


THIS DOCUMENT IS THE PROPERTY OF
KEYSTONE ELECTRONICS CORP. AND
SHALL NOT BE REPRODUCED, DISTRIBUTED
OR USED AS A BASIS FOR MANUFACTURE
WITHOUT PRIOR WRITTEN PERMISSION
FROM KEYSTONE ELECTRONICS CORP.

ACTUAL SIZE



10.3.97	CHANGE PER ECR 97-049	C
8.17.94	CHANGE PER ECR 94-040	B
11.15.82	REVISED	A
DATE	DESCRIPTION	REV.

KEYSTONE ELECTRONICS CORP.			
www.keyelco.com • ASTORIA, N.Y. 11105-2017 • Tel (718) 956-8900			
PART NAME			
'9' VOLT COMPONENT CLIP			
MATERIAL			
.020 [0.50] TH'K ALUMINUM 2024-T3			
FINISH		DRN BY	DATE
-		BOONE	11.3.81
		APP'D	SCALE
		LN	2X
TOLERANCES	INCH [MM]	CODE	DWG NO.
DECIMAL	± .010 [± 0.25]	C	95
ANGULAR	± 1°		
UNLESS OTHERWISE SPECIFIED			