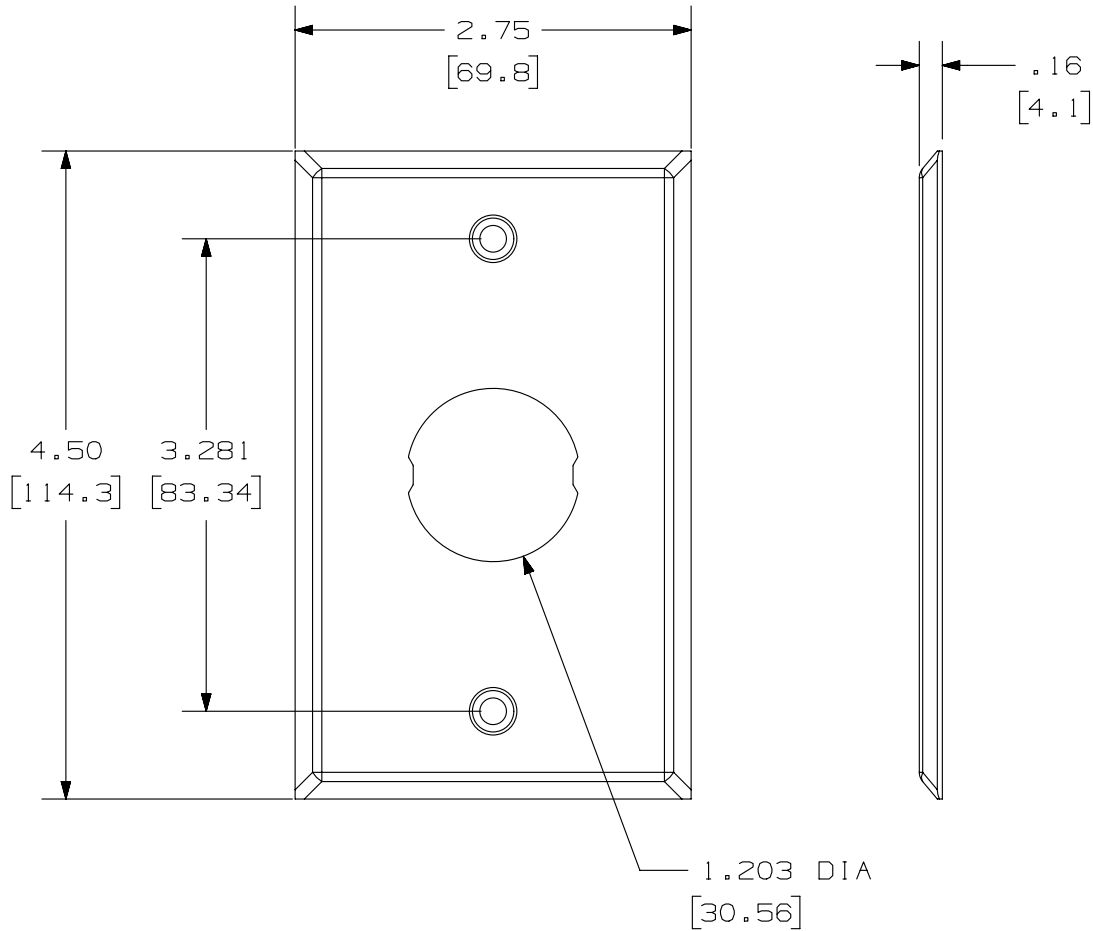


THIS COPY IS PROVIDED ON A RESTRICTED BASIS AND IS NOT TO BE USED IN ANY WAY DETRIMENTAL TO THE INTERESTS OF PANDUIT CORP.



PANDUIT P/N	WEIGHT
IAEFP1	1.22 LB/10 PCS (552.5 g/10 PCS)

NOTES:

- SEE CURRENT CATALOG FOR ADDITIONAL PART NUMBER SUFFIXES TO INDICATE COLOR AND OR PACKAGE QUANTITY.
- SEE CATALOG FOR COMPLETE LIST OF PARTS APPLICABLE FOR USE WITH THIS PART.
- DIMENSIONS IN PARENTHESES ARE IN METRIC.
- PART INCLUDES:
2- MOUNTING SCREW WITH RUBBER O-RING
1- FACEPLATE
1- FACEPLATE GASKET

PART NUMBER		SEE CHART	
TITLE		INDUSTRIALNET 1 POSITION	
		CUSTOMER DRAWING	
ITEM REVISION NAME		M00741LK/00	PANDUIT
DATASET FILE NAME		M00741LK_DC/00B	
UNLESS OTHERWISE SPECIFIED, DIMENSIONAL TOLERANCES ARE: IN (mm)		MATERIAL:	
.x ± .xx ± .03 (.8)		FACEPLATE: 304 S.S GASKET: RUBBER	
.xxx ± .010 (.3) ANGLES ±		DRAWING NUMBER:	
THIRD ANGLE PROJECTION		00741 - 98	
DRAWN BY	DATE	CHK	SCALE
JSP	6-13-06	JCO	NONE
SHT 1 OF 1		SIZE	
A		A	

REV	DATE	BY	CHK	APR	DESCRIPTION	ECN
01	5-17-14	TA	REFR	REFR	REVISED TITLE BLOCK	00741-98
R	6-13-06	JSP	JCO	JCO	RELEASED TO PRODUCTION	00741-98

D10100DA/14