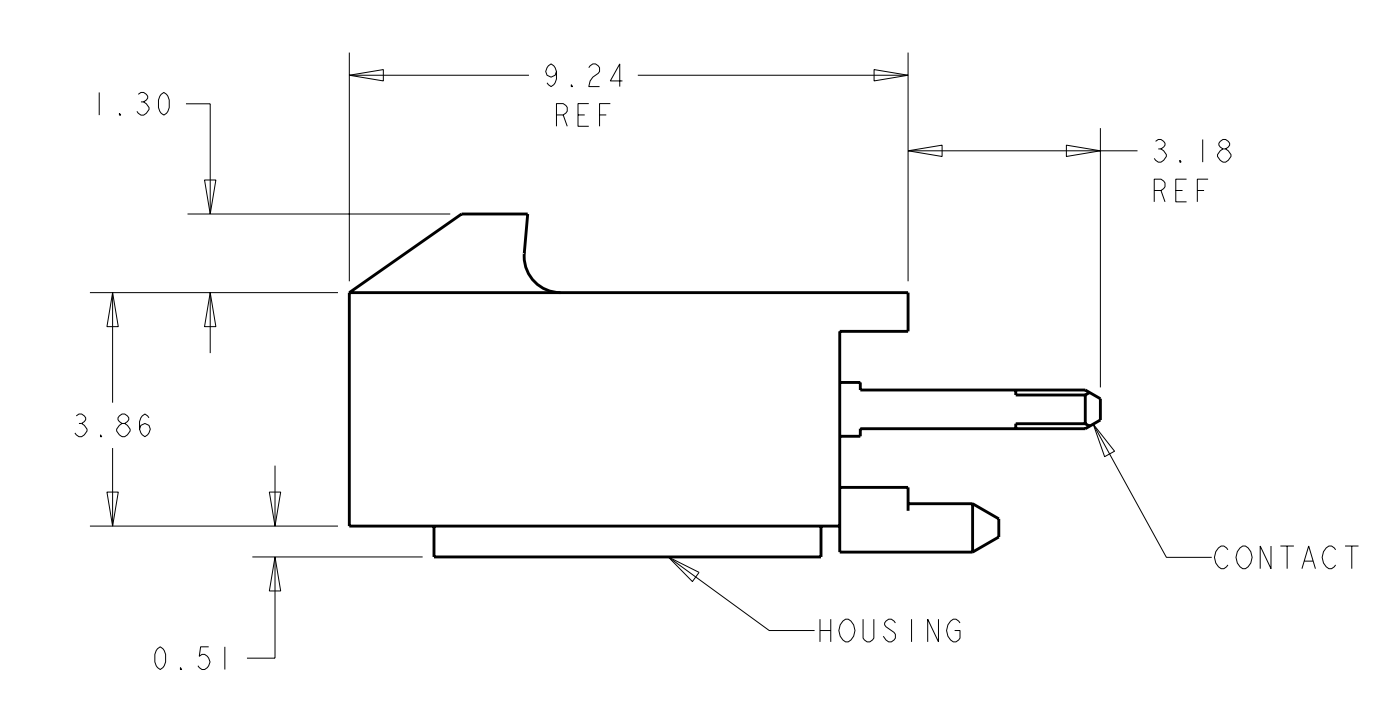
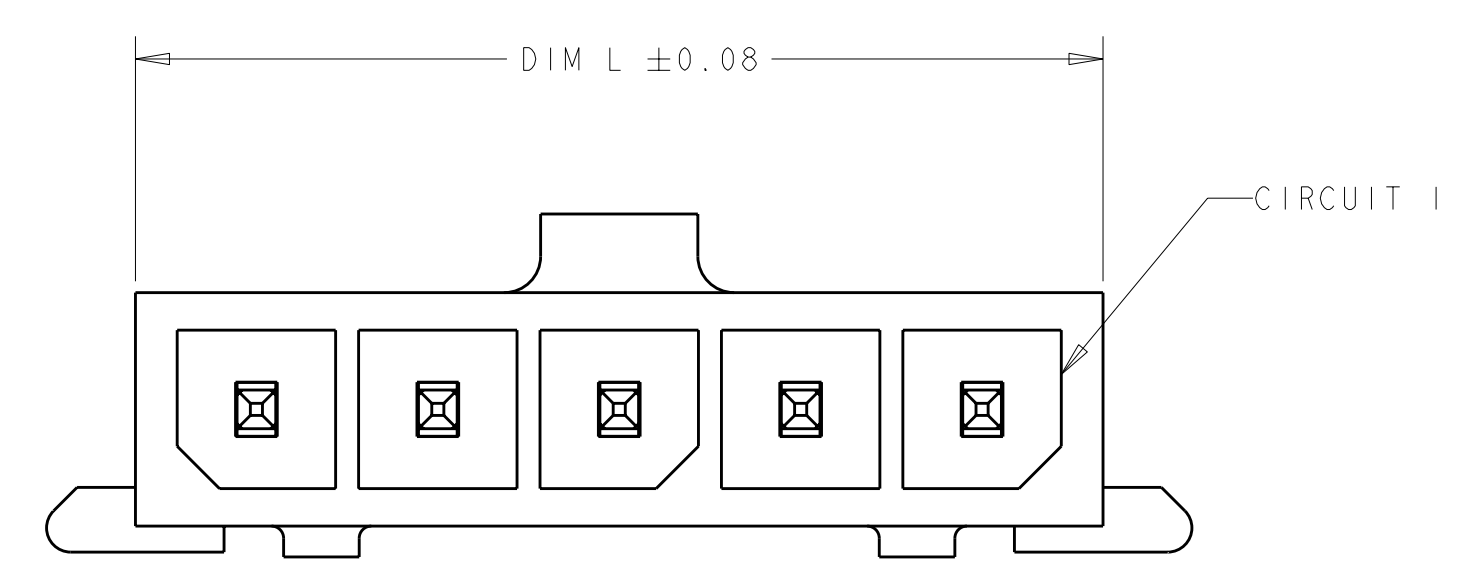
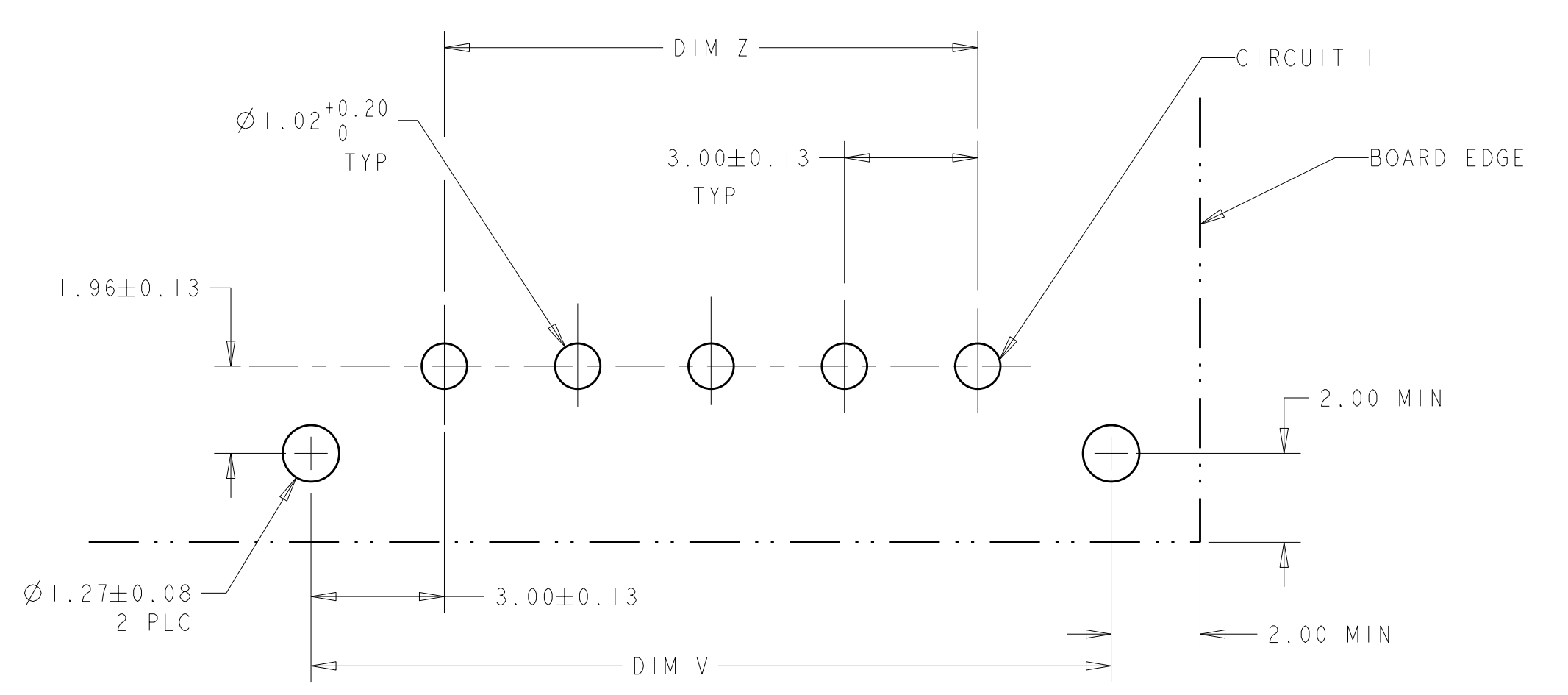
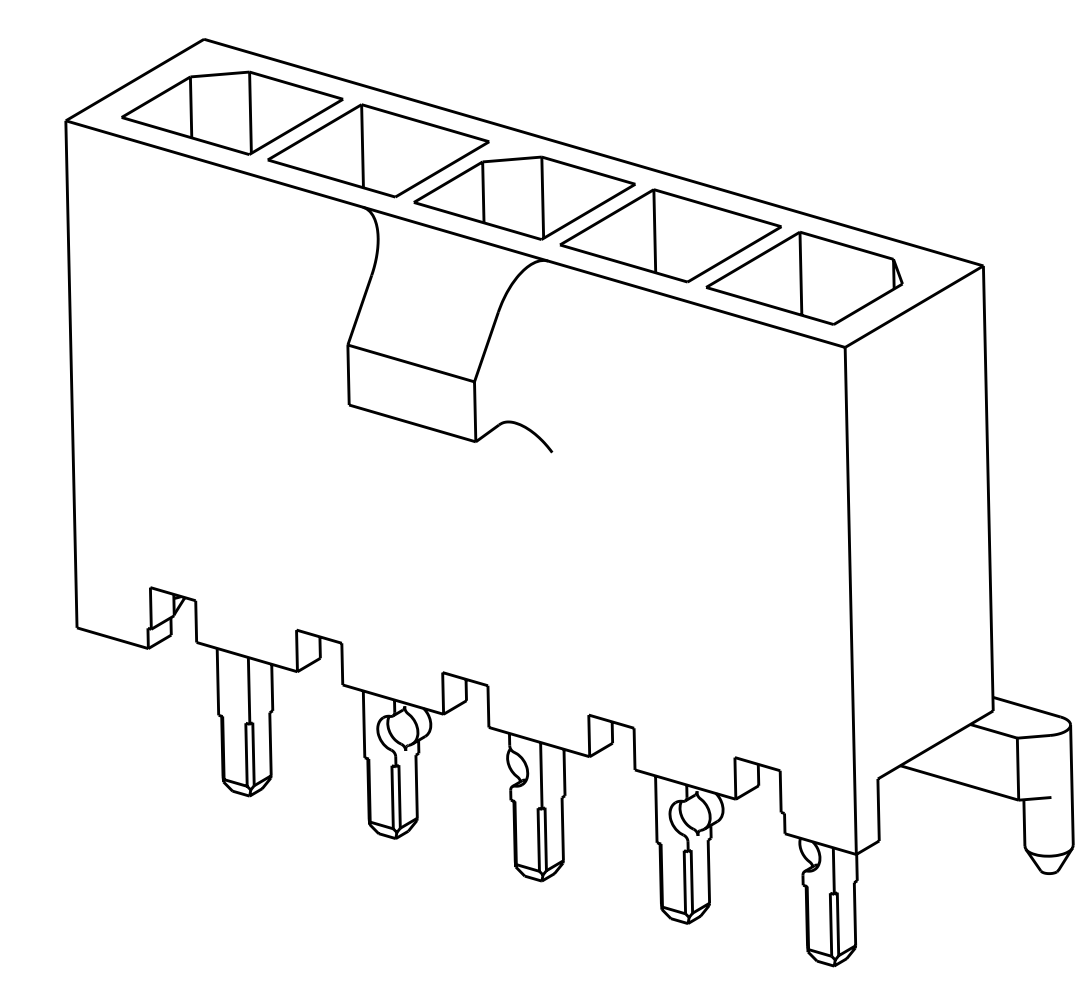
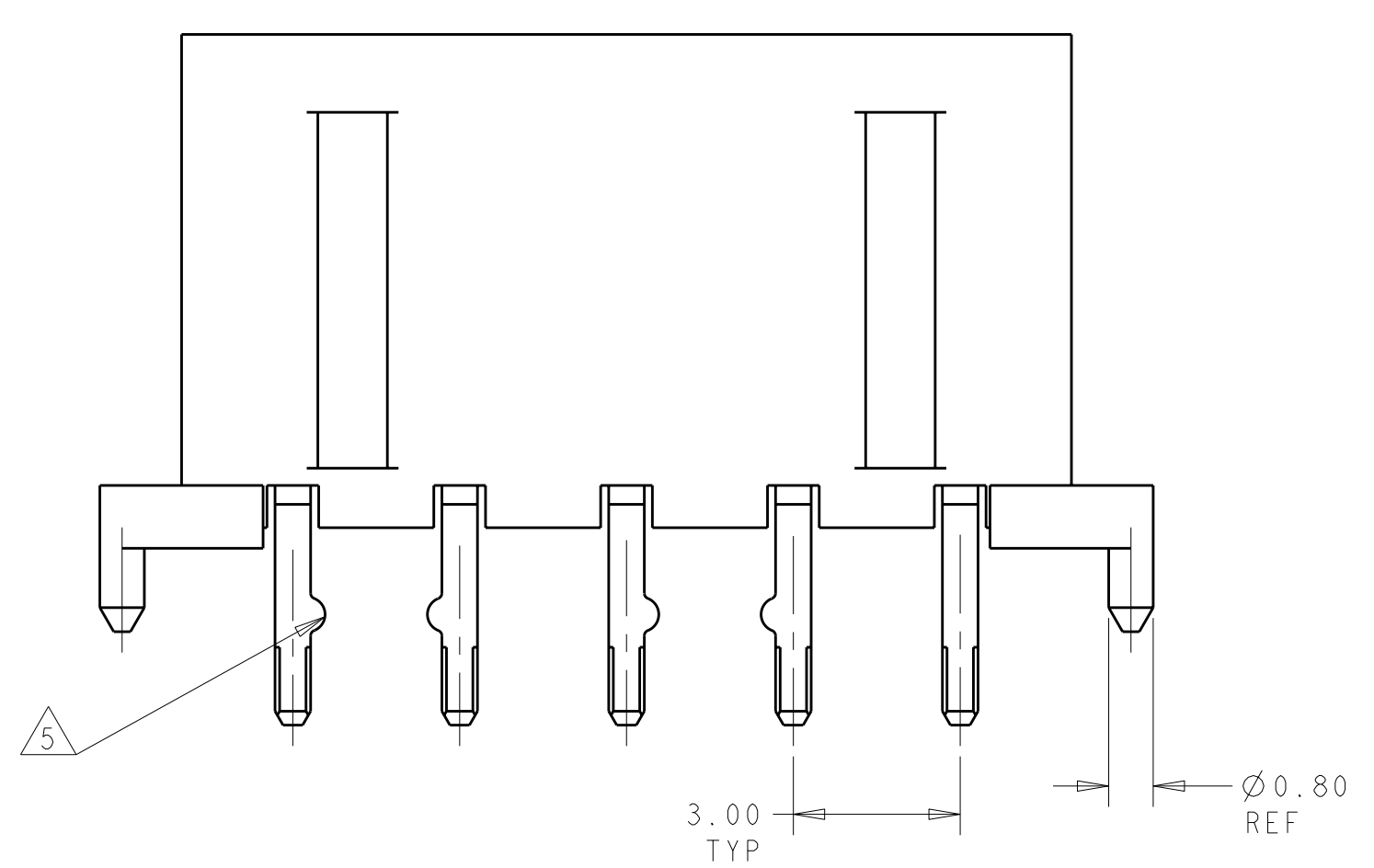


LOC	DIST	REV	DATE	BY	APPD
CM	00	B1	18MAY2012	KH	TM



- 1 MATERIAL: CONTACTS - BRASS
HOUSING - UL 94V-0 RATED HIGH TEMP NYLON, COLOR BLACK.
- 2 PLATING: CONTACTS - 0.76µm MINIMUM GOLD ON MATING END,
2.54µm MINIMUM TIN LEAD ON SOLDER TAILS, BOTH OVER
1.27µm MINIMUM NICKEL.
- 4 RECOMMENDED PC BOARD THICKNESS OF 1.57.
- 5 RETENTION BUMP FEATURES FACE EACH OTHER, TYPICAL
ALL CONFIGURATIONS.
- 6 PLATING: CONTACTS - 0.76µm MINIMUM GOLD ON MATING END,
2.54µm MINIMUM MATTE TIN ON SOLDER TAILS, BOTH OVER
1.27µm MINIMUM NICKEL.



FINISH	CON POS W/RET BUMP	DIM Z	DIM V	DIM L	NO. OF POSN	PART NUMBER
6	1,2,11,12	33.00	39.14	37.00	12	3-1445093-2
6	1,2,9,10	30.00	36.14	34.00	11	3-1445093-1
6	1,2,9,10	27.00	33.14	31.00	10	3-1445093-0
6	1,2,7,8	24.00	30.14	28.00	9	2-1445093-9
6	1,2,7,8	21.00	27.14	25.00	8	2-1445093-8
6	1,2,5,6	18.00	24.14	22.00	7	2-1445093-7
6	1,2,5,6	15.00	21.14	19.00	6	2-1445093-6
6	1,2,3,4	12.00	18.14	16.00	5	2-1445093-5
6	1,2,3,4	9.00	15.14	13.00	4	2-1445093-4
6	1,2	6.00	12.14	10.00	3	2-1445093-3
6	1,2	3.00	9.14	7.00	2	2-1445093-2
2	1,2,11,12	33.00	39.14	37.00	12	1-1445093-2
2	1,2,9,10	30.00	36.14	34.00	11	1-1445093-1
2	1,2,9,10	27.00	33.14	31.00	10	1-1445093-0
2	1,2,7,8	24.00	30.14	28.00	9	1445093-9
2	1,2,7,8	21.00	27.14	25.00	8	1445093-8
2	1,2,5,6	18.00	24.14	22.00	7	1445093-7
2	1,2,5,6	15.00	21.14	19.00	6	1445093-6
2	1,2,3,4	12.00	18.14	16.00	5	1445093-5
2	1,2,3,4	9.00	15.14	13.00	4	1445093-4
2	1,2	6.00	12.14	10.00	3	1445093-3
2	1,2	3.00	9.14	7.00	2	1445093-2

THIS DRAWING IS A CONTROLLED DOCUMENT. DWG NO. 100CT2000
 CHK. K. WHITAKER 17-APR-2001
 APPD. C. JONES 17-APR-2001
 NAME: VERTICAL THRU HOLE HEADER ASSY, 0.76 MIC GOLD CONTACTS, W/PCB PLZN FEATURE, SGL ROW, MICRO MATE-N-LOK(TM)
 MATERIAL: BRASS
 FINISH: 2, 6
 WEIGHT: -
 SCALE: 8:1
 SHEET 1 OF 1
 REV: B1