

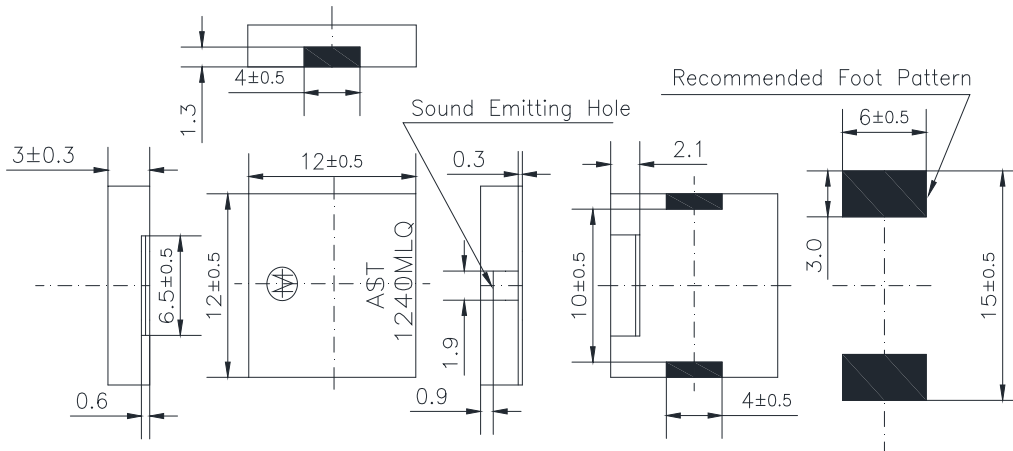
**Specifications:**

Resonant Frequency (Hz)	4000 ± 500
Operating Voltage (Vp-p)	25
Rated Voltage (Vp-p)	3
Current Consumption (mA/max)	5 at Rated Voltage
Sound Pressure Level Min. (dB)	75 at 10cm at Rated Voltage
Capacitance (pF)	16,000 ± 30% at 120 Hz
Operating Temperature (°C)	-20 ~ +70
Storage Temperature (°C)	-30 ~ +80
Housing	LCP Plastic Resin (Color: Black)
Type of Connection Terminals	SMD (Tin Plated Brass)
Condition by reflow soldering (°C)	250 ±5 / within 5 sec
Condition by hand soldering (°C)	350 ±20 / within 5 sec
Weight (Grams)	1
Options	For other options contact factory

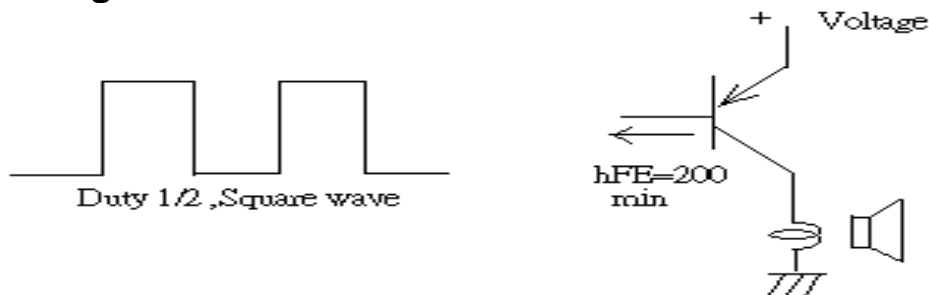
**Dimensions:** (units: mm)

**PS: Vp-p = 1/2duty, square wave**

**ROHS Compliant**



**Recommend Driving Circuit**



**Packaging:**

Parts are supplied on Cut-Tape.

Units do not come with wash label and are not appropriate for aqueous wash.